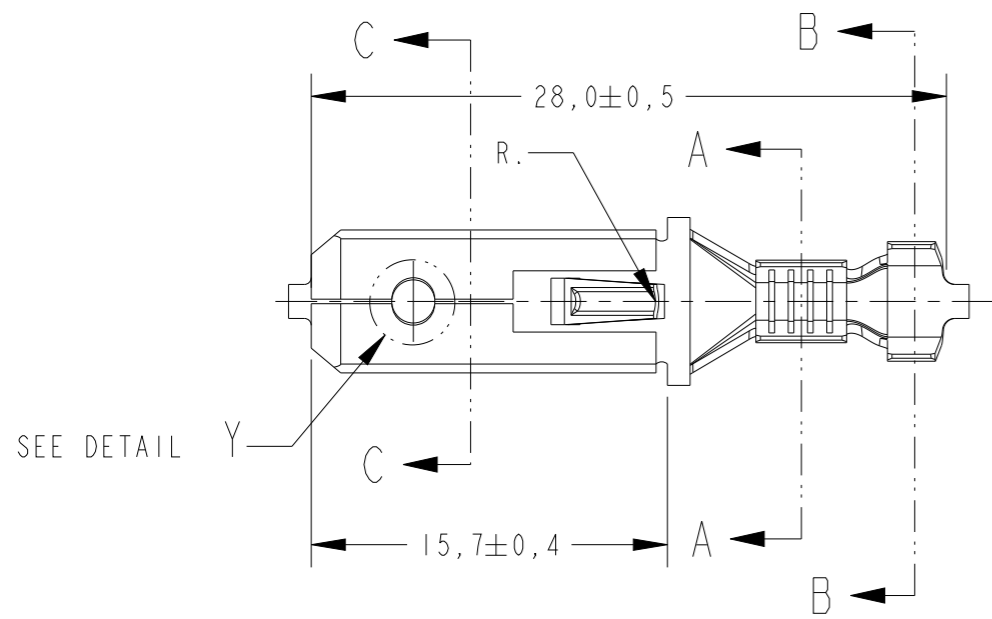
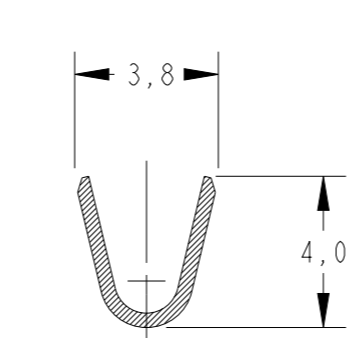


| | |
|-----|------|
| LOC | DIST |
| AP | - |

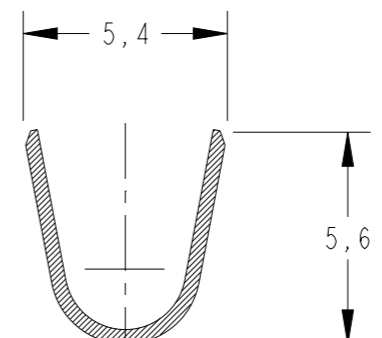
| REVISIONS | | | | | |
|-----------|-----|-----------------------------|-----------|-----|------|
| P | LTR | DESCRIPTION | DATE | DWN | APVD |
| | G4 | REDRAW BY CAD ECO-12-014149 | 20AUG2012 | NCL | DAO |
| | G5 | REVISED BY ECO 16-003723 | 29JUN2016 | HC | WLS |
| | G6 | REVISED PER ECN-23-233936 | 09OCT2023 | WLS | JS |



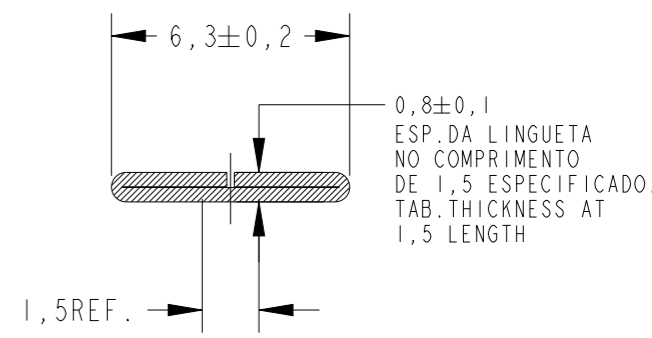
SEE DETAIL Y



SECTION A-A
SCALE 5:1

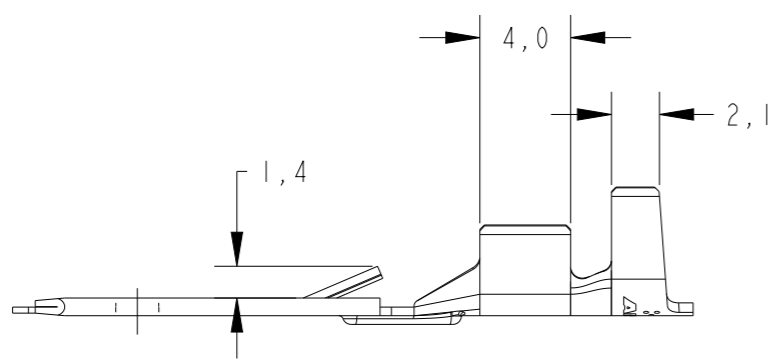


SECTION B-B
SCALE 5:1



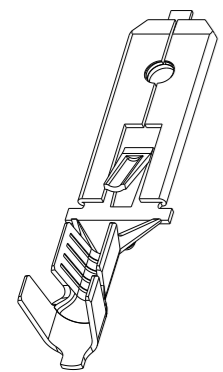
SECTION C-C
SCALE 5:1

0,8±0,1
ESP. DA LINGUETA
NO COMPRIMENTO
DE 1,5 ESPECIFICADO.
TAB. THICKNESS AT
1,5 LENGTH

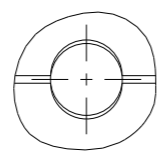


| | | | | |
|-----------------|-----------|------------------------|---------------------------|-----------|
| OBSOLETE | 880654 -8 | PRATEADO/SILVER PLATED | BRONZE FOSF./PHOSP BRONZE | 880636 -8 |
| OBSOLETE | 880654 -7 | PRATEADO/SILVER PLATED | LATÃO / BRASS | 880636 -7 |
| OBSOLETE | 880654 -6 | PRÉ ESTANHADO/PRE-TIN | BRONZE FOSF./PHOSP BRONZE | 880636 -6 |
| OBSOLETE | 880654 -5 | PRÉ ESTANHADO/PRE-TIN | LATÃO / BRASS | 880636 -5 |
| OBSOLETE | 880654 -4 | ESTANHADO/ELECTRO-TIN | BRONZE FOSF./PHOSP BRONZE | 880636 -4 |
| OBSOLETE | 880654 -3 | --- | BRONZE FOSF./PHOSP BRONZE | 880636 -3 |
| | 880654 -2 | ESTANHADO/ELECTRO-TIN | LATÃO / BRASS | 880636 -2 |
| | 880654 -1 | --- | LATÃO / BRASS | 880636 -1 |

| INS. RANGE | WIRE RANGE | LOOSE PIECE | FINISH | MATERIAL | PART NUMBER |
|--|-------------------------|-----------------------------|--------|---|-----------------|
| ∅ 2,7-3,7mm | >1,0-2,5mm ² | | | | |
| THIS DRAWING IS A CONTROLLED DOCUMENT. | | DWN NCLAPRESA 13JUL2012 | | TE Connectivity TERMINAL FASTIN-FASTON .250 TAB | |
| DIMENSIONS: mm | | CHK JRGOLDSCHMIDT 13JUL2012 | | | |
| TOLERANCES UNLESS OTHERWISE SPECIFIED: | | APVD DAOLIVEIRA 13JUL2012 | | | |
| 0 PLC ±- | | PRODUCT SPEC - | | | |
| 1 PLC ±0,3 | | APPLICATION SPEC - | | SIZE A3 | CAGE CODE 00779 |
| 2 PLC ±- | | WEIGHT - | | DRAWING NO C-880636 | RESTRICTED TO - |
| 3 PLC ±- | | MATERIAL SEE TABLE | | SCALE 3:1 | |
| 4 PLC ±- | | FINISH SEE TABLE | | SHEET 1 OF 1 | |
| ANGLES ±1° | | Customer Drawing | | REV G6 | |



PERSPECTIVE VIEW
SCALE 2:1



DETAIL Y
SCALE 5:1
CONSTRUÇÃO OPCIONAL
OPTIONAL CONSTRUCTION