

THIS DRAWING IS UNPUBLISHED.

RELEASED FOR PUBLICATION

2012

© COPYRIGHT 2012 BY TE CONNECTIVITY

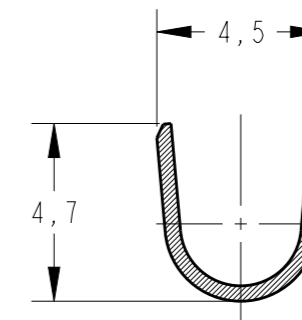
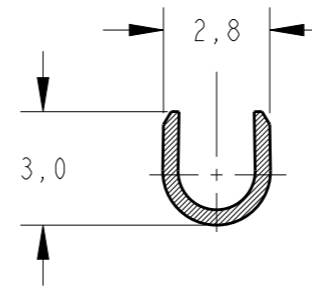
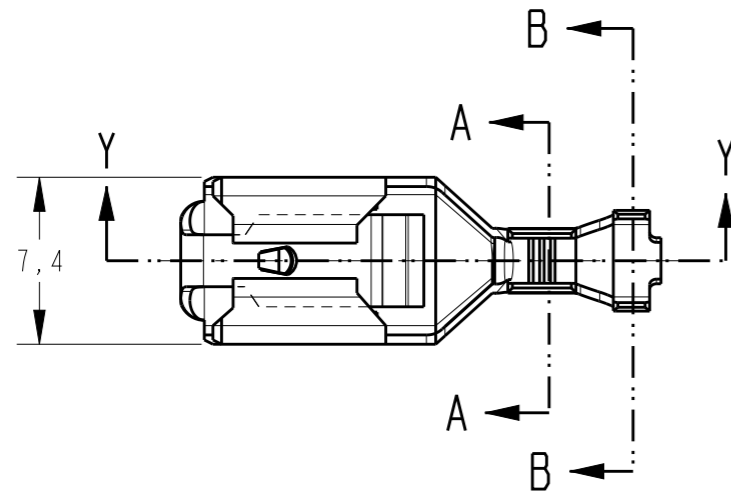
ALL RIGHTS RESERVED.

LOC AP DIST -

REVISIONS

P	LTR	DESCRIPTION	DATE	DWN	APVD
D		REDRAW BY CAD ECO-14-08818	22SEP2014	NCL	LWP
DI		REVISED BY ECO 16-003723	29JUN2016	HC	WLS

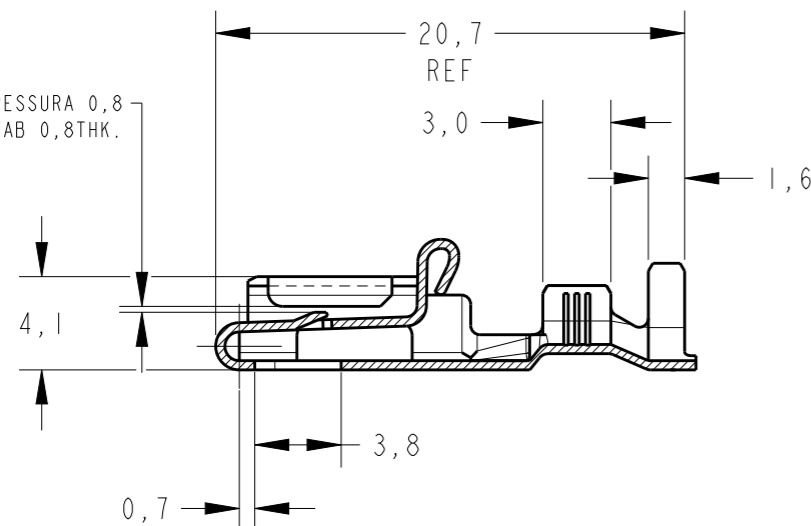
**creo**  
Creo Parametric 2.0  
**DO NOT REVISE EXCEPT BY CAD**



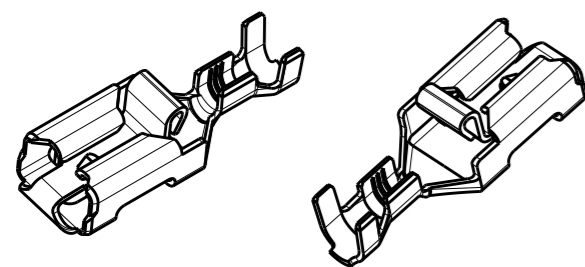
SECTION A-A  
SCALE 5:1

SECTION B-B  
SCALE 5:1

PARA LINGUETA ESPESSURA 0,8  
FOR TAB 0,8THK.



SECTION Y-Y



PERSPECTIVE VIEWS  
SCALE 2:1

**OBSOLETE**  
**OBSOLETE**  
**OBSOLETE**

PRÉ ESTANHADO/PRE TIN	BRONZE FOSF./PHOSP BRONZE	880646 -6
PRÉ ESTANHADO/PRE TIN	LATÃO / BRASS	880646 -5
<del>ESTANHADO/TIN PLATED</del>	<del>BRONZE FOSF./PHOSP BRONZE</del>	<del>880646 -4</del>
<del>ESTANHADO/TIN PLATED</del>	<del>LATÃO / BRASS</del>	<del>880646 -3</del>
	BRONZE FOSF./PHOSP BRONZE	880646 -2
	LATÃO / BRASS	880646 -1
FINISH	MATERIAL	PART NUMBER

INS. RANGE	WIRE RANGE
∅ 2,0-3,30mm	0,5-1,0mm <sup>2</sup>

THIS DRAWING IS A CONTROLLED DOCUMENT.

DWN NCLAPRESA 16 JUL 2012  
CHK JRGOLDSCHMIDT 16 JUL 2012  
APVD DAOLIVEIRA 16 JUL 2012

NAME: -  
PRODUCT SPEC: -  
APPLICATION SPEC: -  
WEIGHT: -

**STE** TE Connectivity

TERMINAL POSITIVE LOCK RECEPT

SIZE: A3 CAGE CODE: 00779 DRAWING NO: C-880646 RESTRICTED TO: -

Customer Drawing SCALE: - SHEET: 1 OF 1 REV: DI