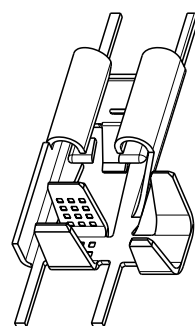
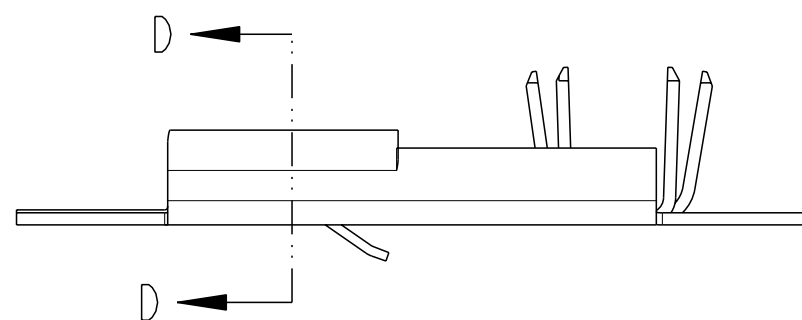
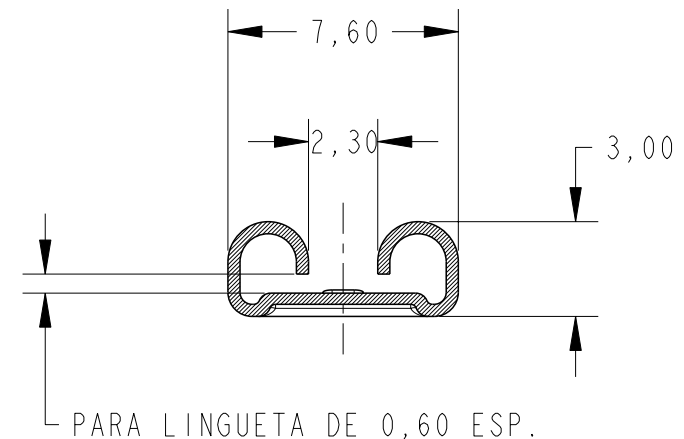
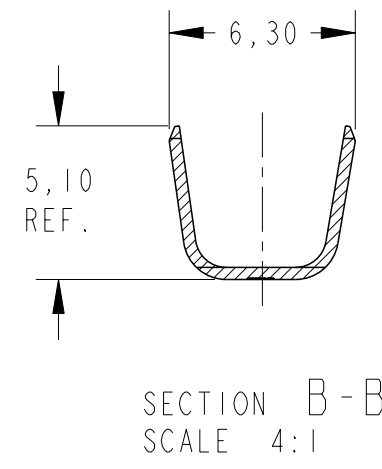
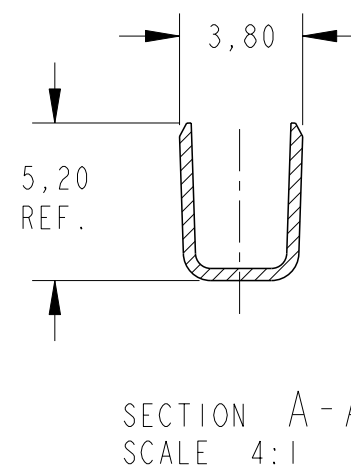
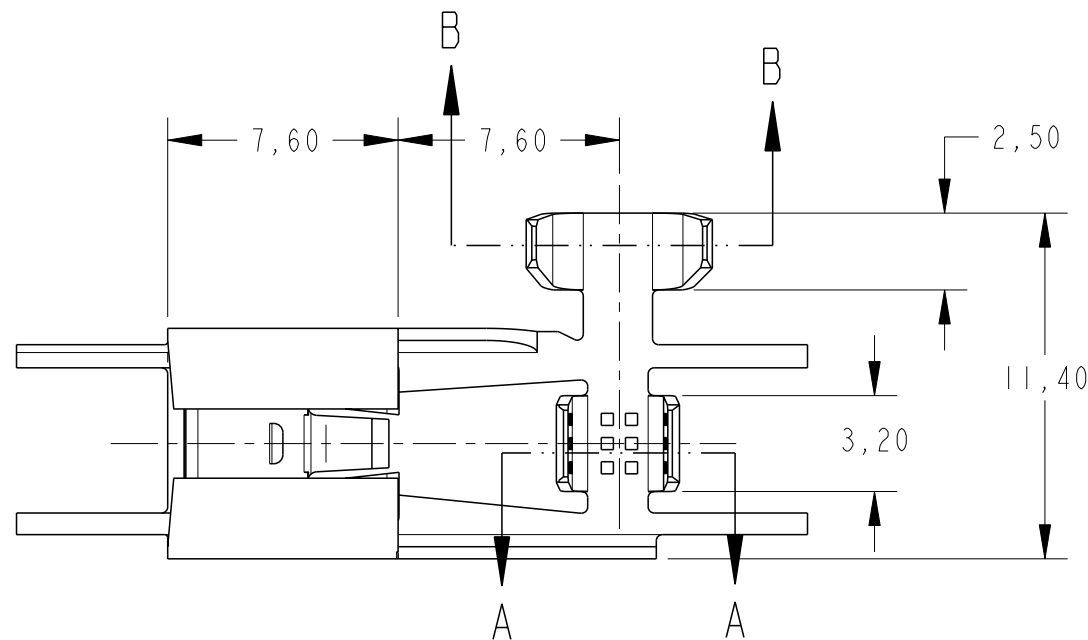


LOC
AP

DIST
-

REVISIONS

P	LTR	DESCRIPTION	DATE	DWN	APVD
	A2	REVISED DESIGN ECO-12-001595	30JAN2012	NCL	GO



PERSPECTIVE VIEW
SCALE 2:1

OBSOLETE		ESTANHADO	LATÃO / BRASS	881012 -2
∅ 3,3-4,5mm	2,5-4,0mm ²	SL 100-62	LATÃO / BRASS	881012 -1
INSUL RANGE	WIRE RANGE	PN. FORD	MATERIAL	PART NO
THIS DRAWING IS A CONTROLLED DOCUMENT.		DWN NCLAPRESA 23JUN2008	TE Connectivity NAME TERMINAL FLAG FASTIN-ON .250s. RECPT.	
DIMENSIONS: mm		CHK PLFARIA 23JUN2008		
TOLERANCES UNLESS OTHERWISE SPECIFIED:		APVD MBG 23JUN2008		
0 PLC ± 1 PLC ±0,5 2 PLC ±0,3 3 PLC ± 4 PLC ± ANGLES ±1°		PRODUCT SPEC -		
MATERIAL -		FINISH -	APPLICATION SPEC -	RESTRICTED TO -
		WEIGHT -	SIZE A3	CAGE CODE 00779
		CUSTOMER DRAWING	DRAWING NO C-881012	SCALE 4:1
			SHEET 1 OF 1	REV A2