

4

3

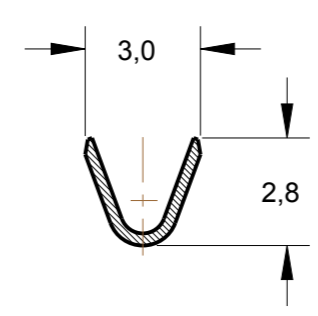
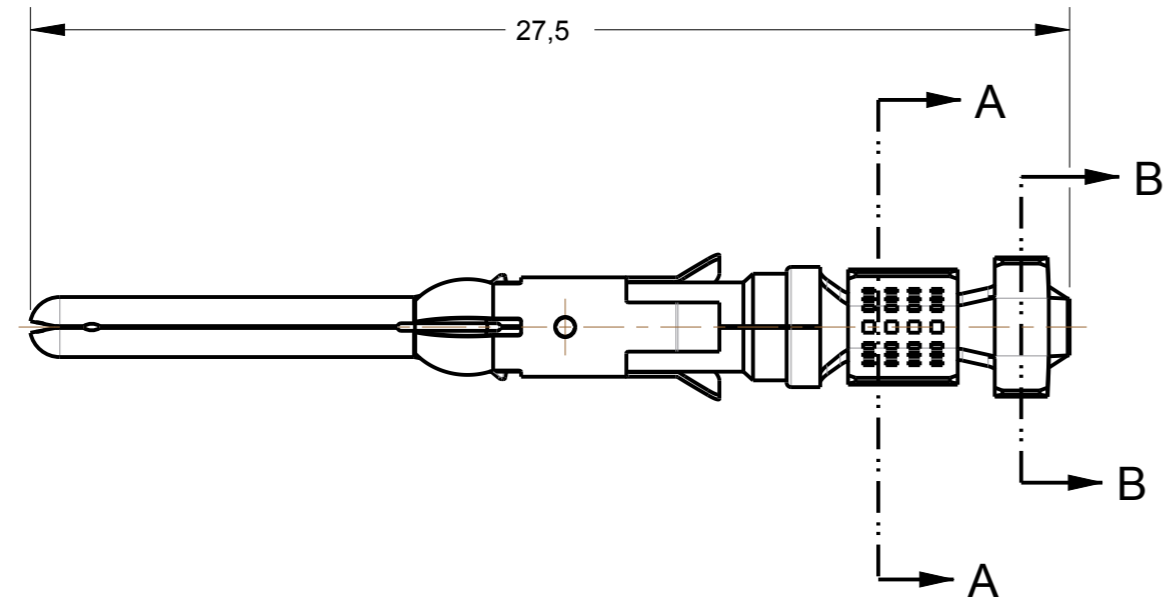
2

1

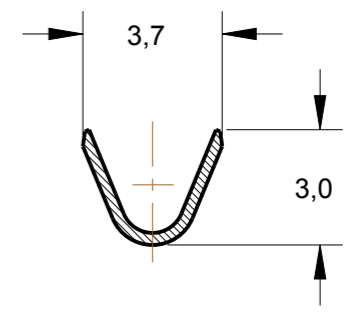
THIS DRAWING IS UNPUBLISHED. RELEASED FOR PUBLICATION 20  
 © COPYRIGHT20 BY - ALL RIGHTS RESERVED.

**creo**  
 Creo Parametric 3.0  
**DO NOT REVISE  
 EXCEPT BY CAD**

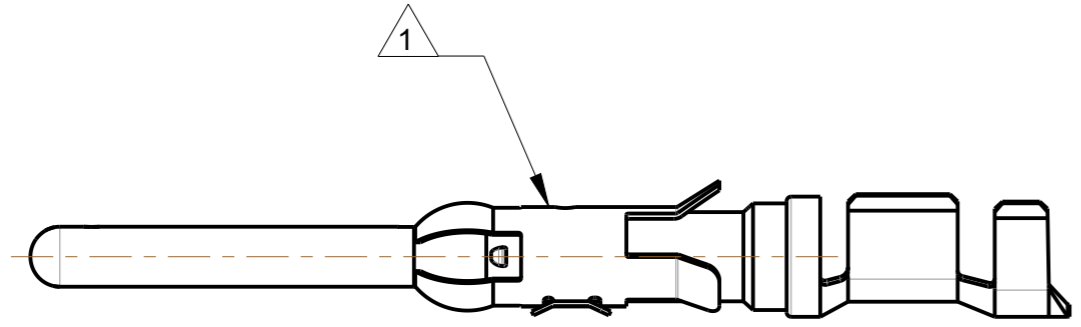
REVISIONS					
P	LTR	DESCRIPTION	DATE	DWN	APVD
	A1	REVISED DRAWING ECO-17-007396	23MAY2017	NCL	DAO



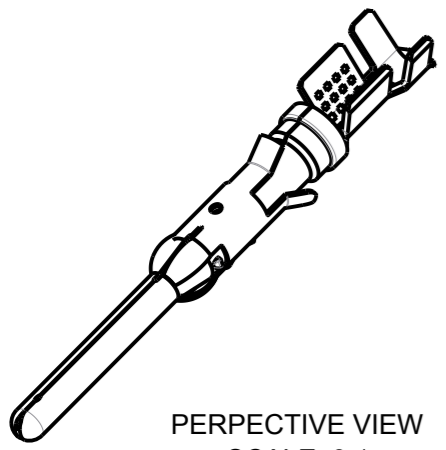
SECTION A-A  
SCALE 5:1



SECTION B-B  
SCALE 5:1



1 - MOLA DE AÇO INOX  
 - SPRING STAINLESS STEEL



PERPECTIVE VIEW  
SCALE 3:1

INSUL.RANGE	WIRE RANGE
2,0-2,5mm (.080-.100)	0,75-1,50mm <sup>2</sup> (18-16 AWG)

163081-2	DOURADO (SEL.GOLD)	LATÃO / BRASS	881459-2
<del>1-163081-2</del>	<del>PRE ESTANHADO (PRE TIN)</del>	<del>LATÃO / BRASS</del>	<del>881459-1</del>
<b>MAKE FROM(STRIP)</b>	<b>FINISH</b>	<b>MATERIAL</b>	<b>PART NUMBER</b>
THIS DRAWING IS A CONTROLLED DOCUMENT.		TE Connectivity	
DIMENSIONS: mm 		NAME: PIN TYPE III 1.6 DIA TERMINAL LOOSE PIECE	
TOLERANCES UNLESS OTHERWISE SPECIFIED: 0 PLC ±- 1 PLC ±0,3 2 PLC ±- 3 PLC ±- 4 PLC ±- ANGLES ±1°		SIZE: <b>A3</b> CAGE CODE: - DRAWING NO: <b>C-881459</b> RESTRICTED TO: -	
MATERIAL: SEE TABLE	FINISH: -	WEIGHT: -	SCALE: 5:1
CUSTOMER DRAWING		SHEET: 1 OF 1	REV: A1