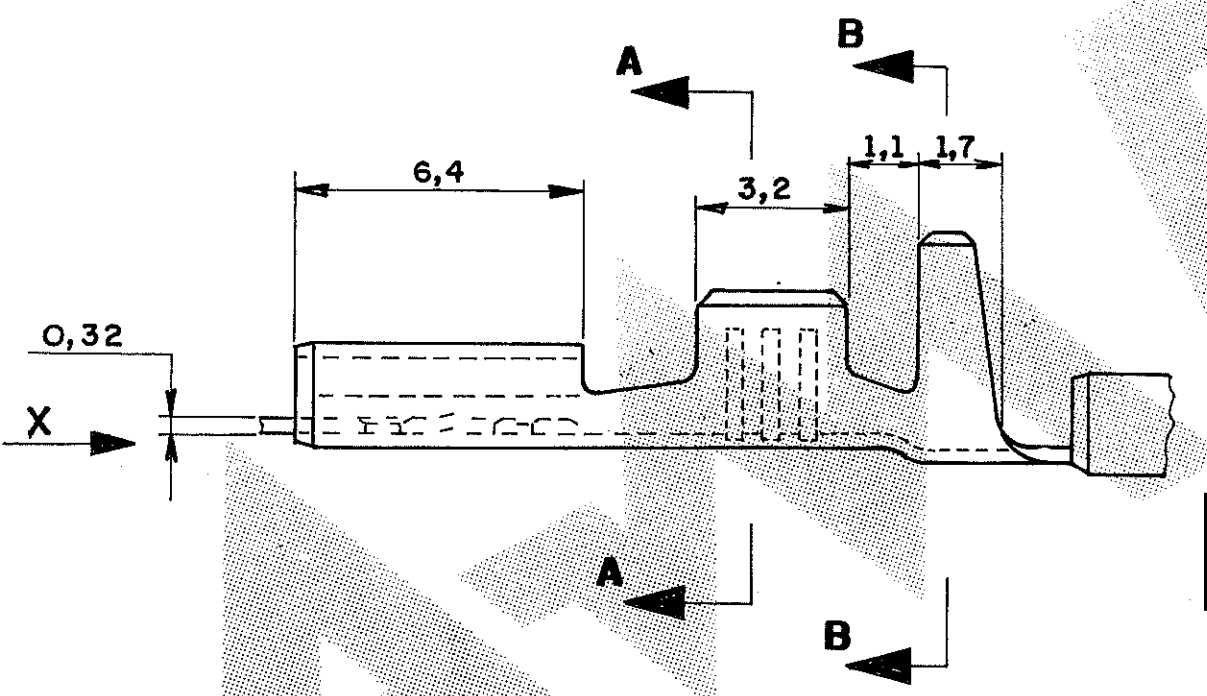
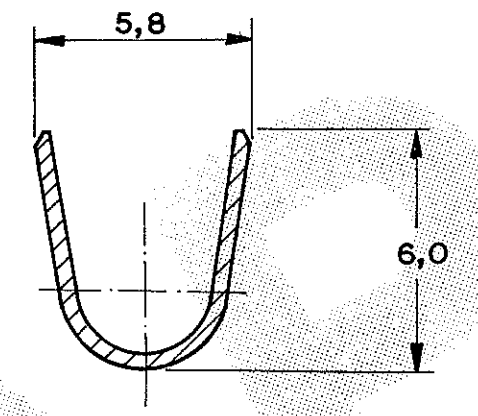
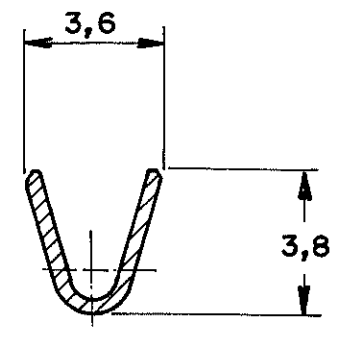
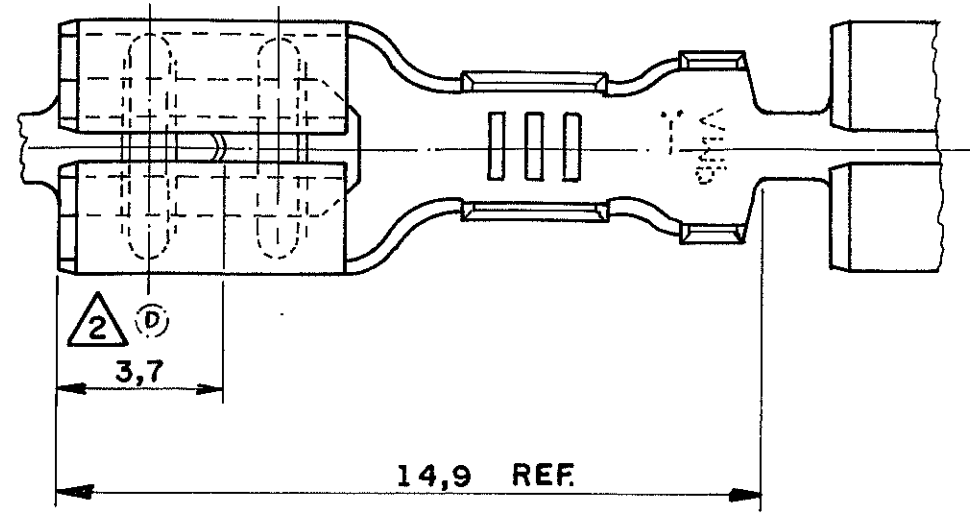
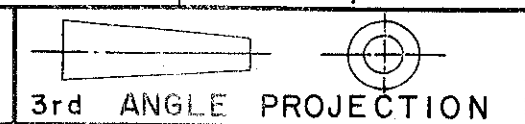


C 881624

DO NOT SCALE  
DIMENSIONS IN

**METRIC**

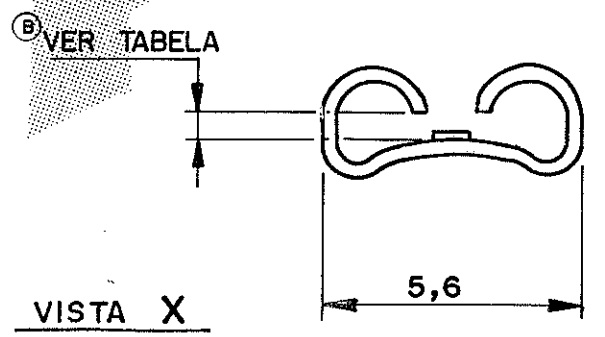


**3**  
OBSOLETE

- ① - PEÇA SOLTA - VER DESENHO 444 202  
- LOOSE PIECE - SEE DWG. 444 202.
- ② LOCALIZAÇÃO DO DIMPLE - 3,0 mm. PARA O PN- 881624-8.  
DIMPLE LOCATION - 3,0mm. FOR PN-881624-8
- ③ OBSOLETE PARTS: OBSOLETE CIS STREAMLINING PER D.RENAUD/D.SINISI

FINISH	MATERIAL	PART NUMBER
0,8 mm	LATÃO	- 8
ESTANHADO	LATÃO	- 7
0,5 mm	LATÃO	- 6
OBSOLETO ③	LATÃO	- 5
OBSOLETO ③	LATÃO	- 4
ESTANHADO	BRONZE FOSF.	- 3
ESTANHADO	LATÃO	- 2
0,8 mm	LATÃO	- 1

CUSTOMER DWG for REFERENCE ONLY				THIS DRAWING IS UNPUBLISHED RELEASED FOR PUBLICATION		
E1 REVISED PER ECO-09-026444				© COPYRIGHT 19 BY AMP DO BRASIL LTDA S.P. ALL INTERNATIONAL RIGHTS RESERVED AMP PRODUCTS MAY BE COVERED BY U.S. AND FOREIGN PATENTS AND/OR PATENTS PENDING.		
E REACTIVED -1 BY LE10-360-06				TOLERANCES UNLESS OTHERWISE STATED		
D1 REVISED BY EC 0413/01				INS. DIA. RANGE 2,7 - 4,0mm		
D REVISED BY EC				WIRE RANGE >1,0 - 2,5mm		
C1 REVISED BY EC-344/96				SCALE //		
C REVISED BY				AMP do BRASIL LTDA.		
B ADICIONADO TRAÇO 6 E 7				São Paulo,, Brasil		
A ADICIONADO TRAÇO 4 E 5				DESCRIPTION		
O ERA P90-29507				.187 SERIES FASTON REC.		
ISS REVISION RECORD				A3 DWG NO C 881624		
DR CHK DATE APP.				SHEET 1 OF 1		



② VER TABELA