

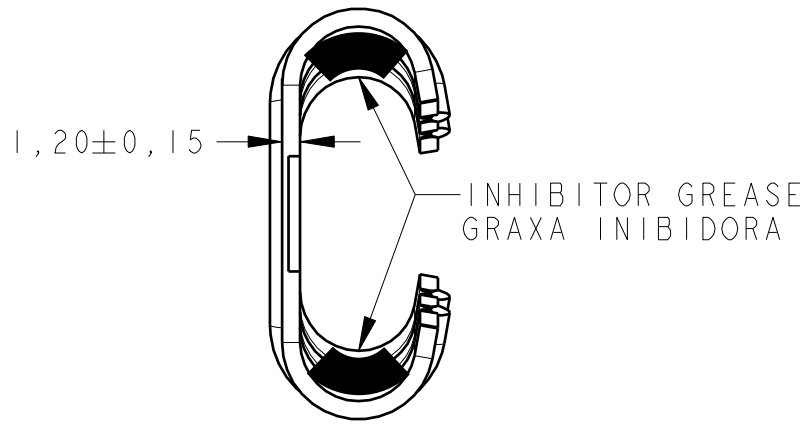
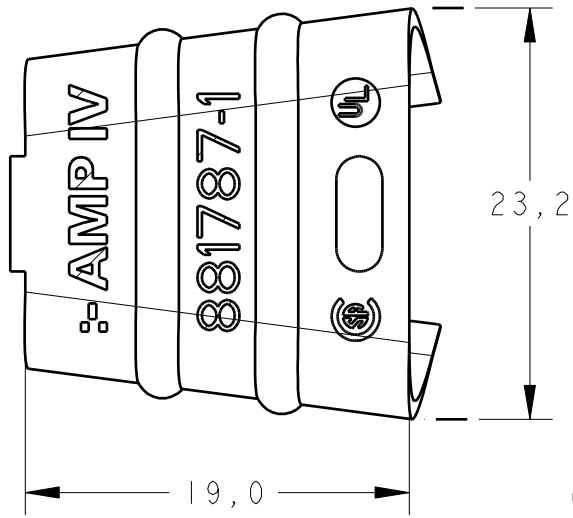
THIS DRAWING IS UNPUBLISHED.

RELEASED FOR PUBLICATION

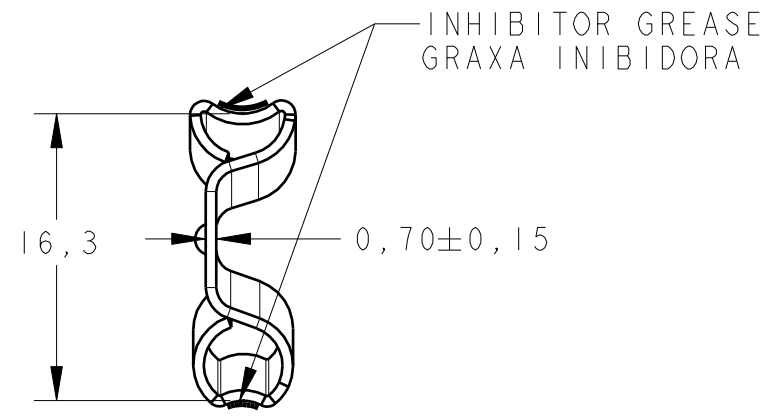
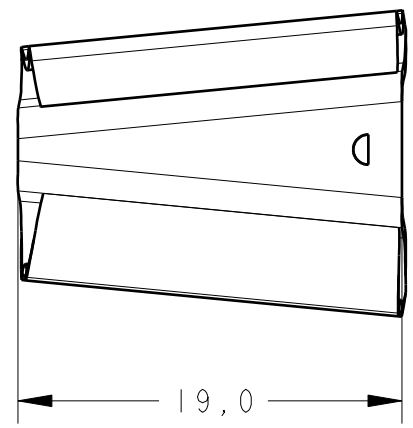
20

© COPYRIGHT 20 BY TYCO ELECTRONICS CORPORATION. ALL RIGHTS RESERVED.

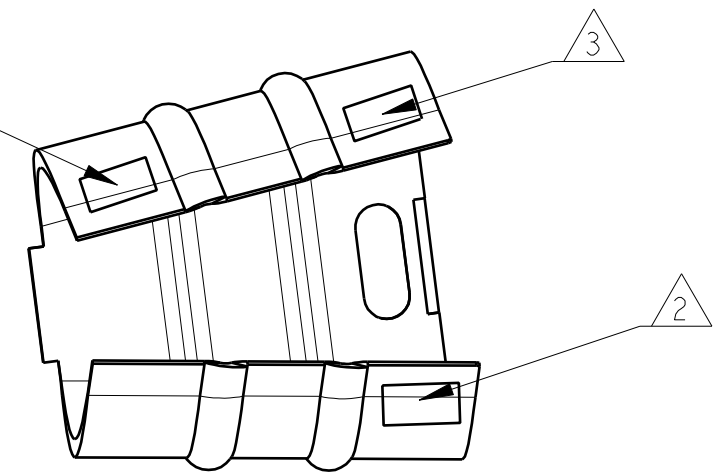
LOC	DIST	REVISIONS			
P	LTR	DESCRIPTION	DATE	DWN	APVD
AP	-				
	E1	REDRAW BY ECR-05-010312	01SEP2005	GO	WB
	E2	ECO-09-003259	11MAR2009	GO	WB
	E3	ECO-09-006547	17MAR2009	GO	WB



"C" MEMBER



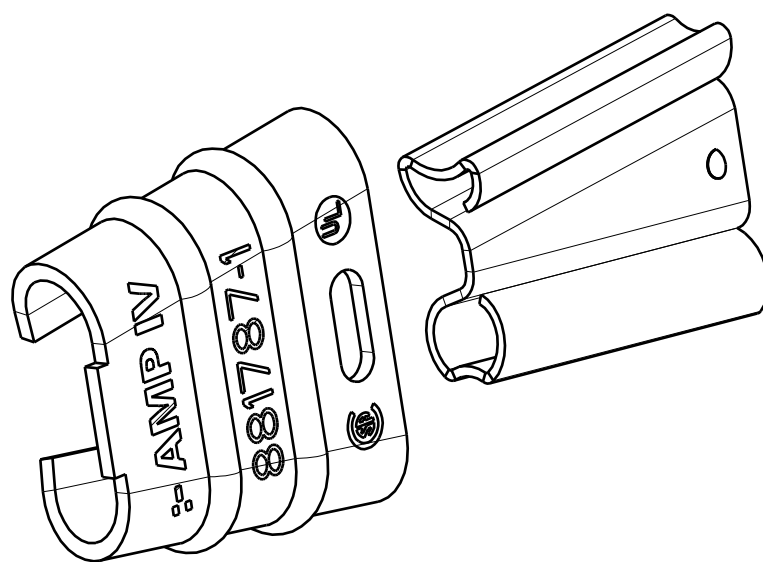
"WEDGE" MEMBER



- 1 - SUPPLIED IN INDIVIDUAL PLASTIC PACKAGING.
- 2 - MAIN CABLE ENGRAVING = 16mm².
- 3 - TAP CABLE ENGRAVING = 4mm².
- 4 - TAP CABLE ENGRAVING = 1,5mm².

- 1 - FORNECIDO EM EMBALAGEM PLASTICA INDIVIDUAL.
- 2 - GRAVAÇÃO DO CABO PRINCIPAL = 16mm².
- 3 - GRAVAÇÃO DO CABO DERIVAÇÃO = 4mm².
- 4 - GRAVAÇÃO DO CABO DERIVAÇÃO = 1,5mm².

7,67	5,99	6,55	2,54	4,65	1,27	ESTANHADO TIN PLATED	LIGA DE COBRE COPPER ALLOY	881787-1
MAX.	MIN.	MAX.	MIN.	MAX.	MIN.			
SOMA DOS DIÂMETROS SUM		CABO PRINCIPAL TOP GROVE		CABO DERIVAÇÃO BOTTOM GROVE		FINISH	MATERIAL	PART NUMBER
DIÂMETRO LIMITE DOS CABOS WIRE DIAMETER LIMITE								



THIS DRAWING IS A CONTROLLED DOCUMENT FOR TYCO ELECTRONICS CORPORATION. IT IS SUBJECT TO CHANGE AND THE CONTROLLING ENGINEERING ORGANIZATION SHOULD BE CONTACTED FOR THE LATEST REVISION.

DIMENSIONS: mm	TOLERANCES UNLESS OTHERWISE SPECIFIED: 0 PLC ± 1 PLC ±1,5 2 PLC ± 3 PLC ± 4 PLC ± ANGLES ±	DWN G. DE OLIVEIRA 01SEP2005 CHK WALTER BELLINI JR. 01SEP2005 APVD RUY P. LEMF 01SEP2005	Tyco Electronics São Paulo - Brasil	
MATERIAL SEE TABLE	FINISH SEE TABLE	PRODUCT SPEC 108-37019 APPLICATION SPEC 411-37014	NAME U.D. CONNECTOR ASS'Y, TYPE IV, REINFORCED.	
		WEIGHT -	SIZE A3	CAGE CODE 00779
		CUSTOMER DRAWING	DRAWING NO C=881787	RESTRICTED TO -
			SCALE -	SHEET 1 OF 1
				REV E3