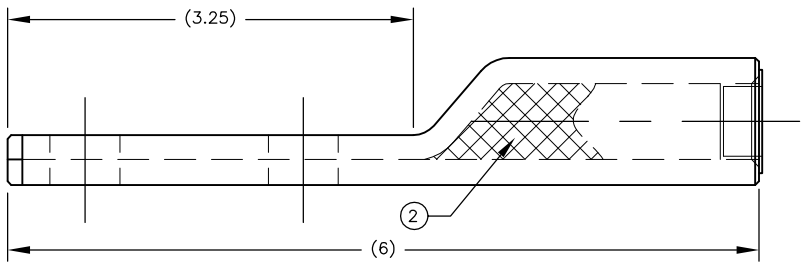
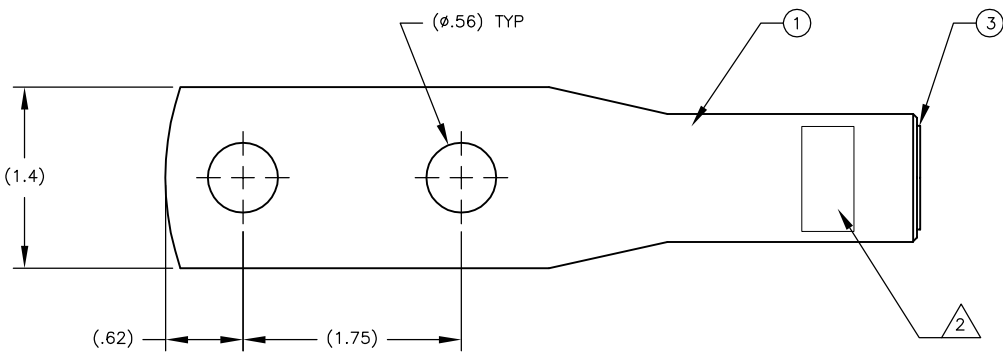


THIS DRAWING IS UNPUBLISHED. RELEASED FOR PUBLICATION
 © COPYRIGHT By - ALL RIGHTS RESERVED.

LOC	DIST	REVISIONS			
P	LTR	DESCRIPTION	DATE	DWN	APVD
C		PER LC20-0031-07 / ECO-07-001959	30JAN07	DM	BJ
C1		LC20-0114-15 / ECO-15-012734	03SEP2015	JG	BJ



- ACCOMMODATES: 250KCM (.575 OD) CABLE
266.8KCM (.586 TO .594 OD) ASC
- LETTERING STAMPED .12 HIGH MIN TO READ:
TYCO 9-1199020-0
KL0252NTN
250 KCM / 266.8 KCM ASC
CSA 26 [D/C]
- FILL BARREL 1/4 FULL WITH CUALAID 12 AND CAP.

L877	10022	KL025-2NTN	9-1199020-0
O.H. SPEC.	H.O. NO.	CATALOG NO.	PART NO.

1	PLASTIC CAP	3
.04 LB	CUALAID #12 INHIBITOR	2
1	ALUMINUM SLEEVE, AL. 1050 H14	1
9-0	DESCRIPTION	ITEM NO.
QTY	PARTS LIST	

THIS DRAWING IS A CONTROLLED DOCUMENT.		DWN D ROBITAILLE 12 MAY 03	 TE Connectivity NAME COMPRESSION TERMINAL, ALUMINUM, 250 KCM STR AND CPT ASC TO 2 HOLE PAD					
DIMENSIONS: INCHES		CHK A BULZA 15 MAY 03						
		APVD B JOHNSON 16 MAY 03						
TOLERANCES UNLESS OTHERWISE SPECIFIED:		PRODUCT SPEC						
0 PLC ± 1 PLC ± 2 PLC ±.03 3 PLC ± 4 PLC ± ANGLES ±		APPLICATION SPEC	SIZE A3	CAGE CODE 00779	DRAWING NO C-9-1199020-0	RESTRICTED TO		
MATERIAL SEE TABLE		FINISH TIN PLATED	WEIGHT	CUSTOMER DRAWING		SCALE NTS	SHEET 1 OF 1	REV C1