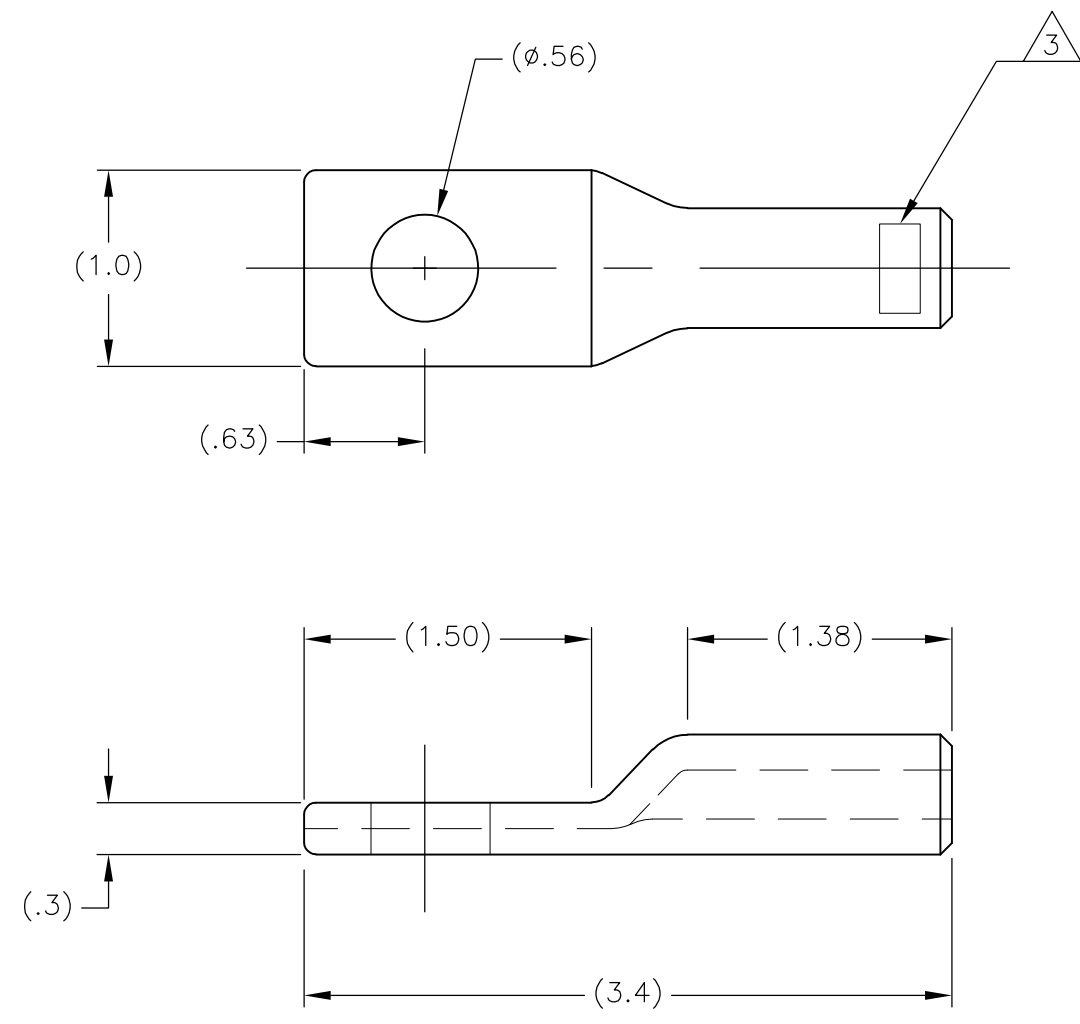




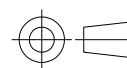
THIS DRAWING IS UNPUBLISHED. RELEASED FOR PUBLICATION  
 © COPYRIGHT BY TYCO ELECTRONICS CORPORATION. ALL RIGHTS RESERVED.

LOC	DIST	REVISIONS					
GA	1	P	LTR	DESCRIPTION	DATE	DWN	APVD
			B	LC20-0269-08 / ECO-08-029127	24NOV2008	DM	BJ



- 1 MATERIAL:  
ETP COPPER ALLOY C11000
- 2. ACCOMMODATES:  
4 AWG .232 [5.89mm] OD COPPER CABLE
- 3 MARKING:  
 9-1199020-3  
 CKLL4NTN  
 4 AWG  
 CSA 22 CU  
 [DATE CODE]
- 4. HARDNESS: SOFT TEMPERED.
- 5 FINISH: ELECTRO-TIN PLATE

CKLL4NTN	9-1199020-3
CATALOG NO.	PART NO.

THIS DRAWING IS A CONTROLLED DOCUMENT.		DWN D ROBITAILLE 18 JUL 02	 Tyco Electronics Corporation Markham, ON L3R 1E1	
DIMENSIONS: INCHES		CHK A BULZA 29 JUL 02		
		APVD B JOHNSON 30 JUL 02	NAME COMPRESSION LUG, COPPER, 4 AWG COPPER CONDUCTOR TO ONE HOLE PAD	
TOLERANCES UNLESS OTHERWISE SPECIFIED:		PRODUCT SPEC	APPLICATION SPEC	
0 PLC ± 1 PLC ± 2 PLC ± 3 PLC ± 4 PLC ± ANGLES ±		WEIGHT	SIZE A3	CAGE CODE 00779
MATERIAL 1		FINISH 5	DRAWING NO G-9-1199020-3	
		CUSTOMER DRAWING	SCALE NTS	SHEET 1 OF 1
			RESTRICTED TO REV B	