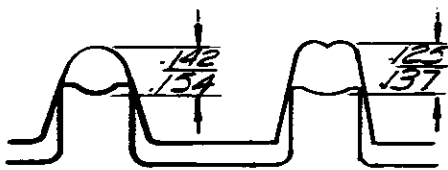


SYMBOL A SYMBOL B

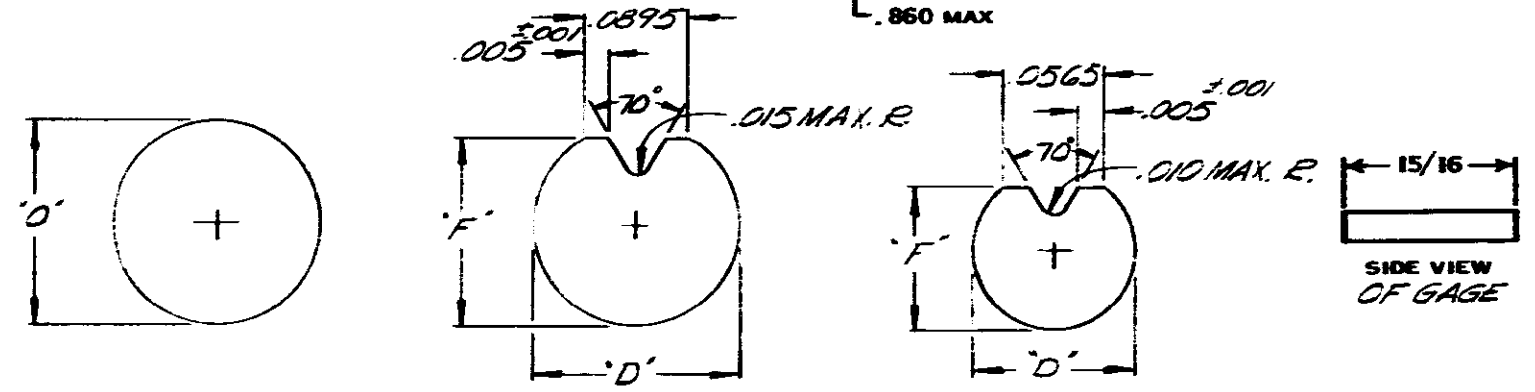
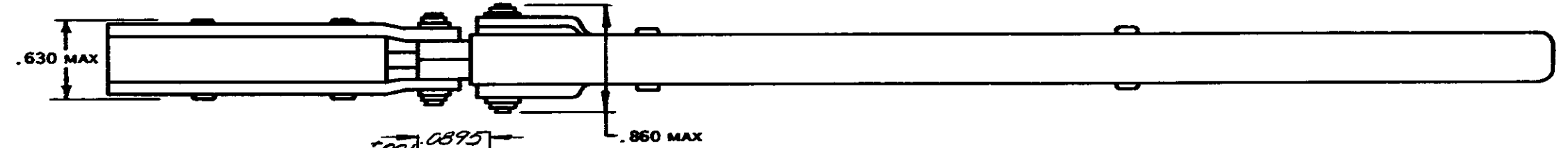
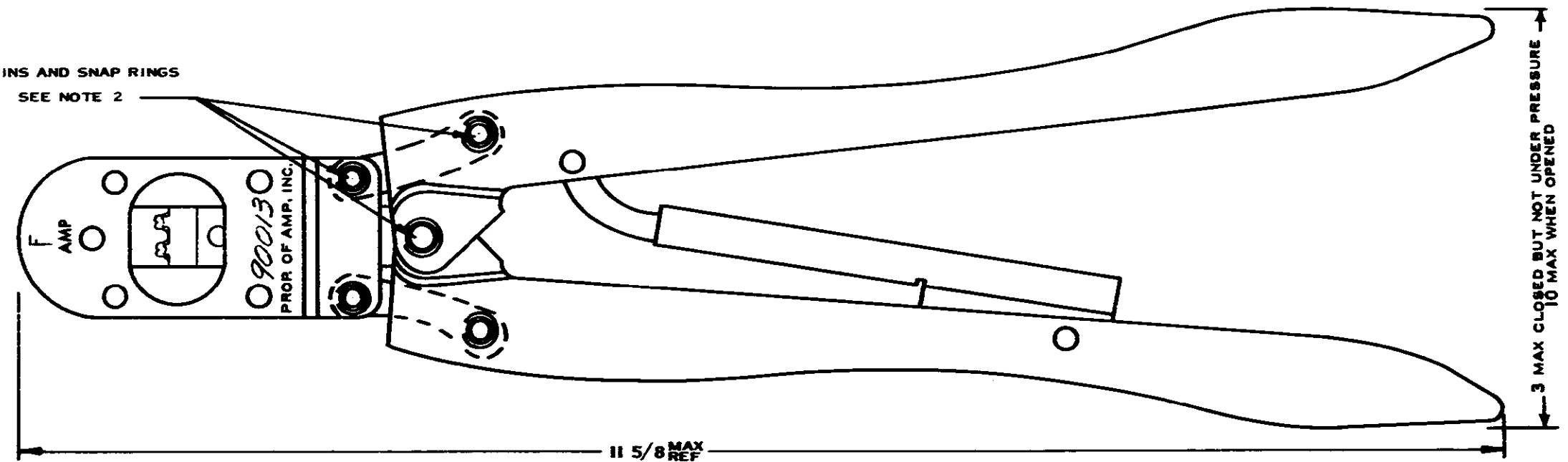
WIRE CRIMP			
CRIMP SYMBOL	DIM	GO	NO GO
A	F	.0534	.0584
	D	.0683	.0720
B	F	.0664	.0714
	D	.0784	.0826



SYMBOL B SYMBOL A

INSULATION CRIMP			
CRIMP SYMBOL	DIM	GO	NO GO
A	F	.1249	.1369
	D	.1409	.1515
B	O	.1420	.1540

PINS AND SNAP RINGS
SEE NOTE 2

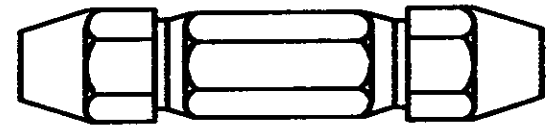


INSULATION CRIMP
CRIMP SYMBOL - B

INSULATION CRIMP
CRIMP SYMBOL - A

WIRE CRIMP
CRIMP SYMBOL A & B

SUGGESTED GAGE DESIGN



DOUBLE END HANDLE A.G.D. STD.

ENLARGED END VIEW OF GAGES

- 1 CRIMP GAGE DIMENSIONS APPLY WHEN TOOL IS CLOSED OR BOTTOMED BUT NOT UNDER PRESSURE.
- 2 FOR REPLACEMENT OF PARTS SUCH AS PINS AND SNAP RINGS. ORDER REPAIR KIT NO. 125218-1.
- 3 FOR REPLACEMENT OF PARTS OTHER THAN PINS AND SNAP RINGS. TOOL IS TO BE RETURNED TO AMP INC., HARRISBURG, PENNA. TO INSURE PROPER CERTI-CRIMP ADJUSTMENT.
- 4 FOR TOOL USAGE. SEE INSTRUCTION SHEET NO. 1794.

REVISION RECORD					NUMBER	DESCRIPTION	REQUIRED PER ASSEMBLY
LTR	REVISION	WAS	BY	DATE			
D-1	Loc M	WAS A	PK	Photo	C-90013		

DWG SIZE	NUMBER	NAME	REMARKS	ITEM NO
© 1961 BY AMP INCORPORATED. ALL RIGHTS RESERVED. AMP PRODUCTS COVERED BY PATENTS AND/OR PATENTS PENDING.				
DR <i>A. Sutshall 8-15-61</i> CHK <i>K. Tolmischer 8-15-61</i>			CUSTOMER COPY REFERENCE ONLY	
MATERIAL AND FINISH H			AMP AMP INCORPORATED HARRISBURG, PENNA.	
WIRE - RANGE - INSULATION #18-#14 VLD-170			CLASS TYPE	
TOLERANCE EXCEPT AS NOTED H			LOC M NO B C-90013 REV 0-1	
APP <i>C. Timmins 2/15/61</i>			STRAIGHT ACTION HAND TOOL	

DIMENSIONS IN INCHES DO NOT SCALE PRINT

36