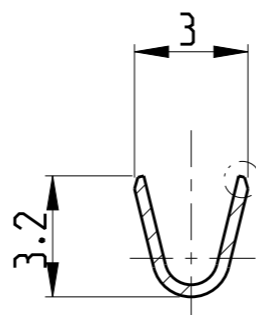
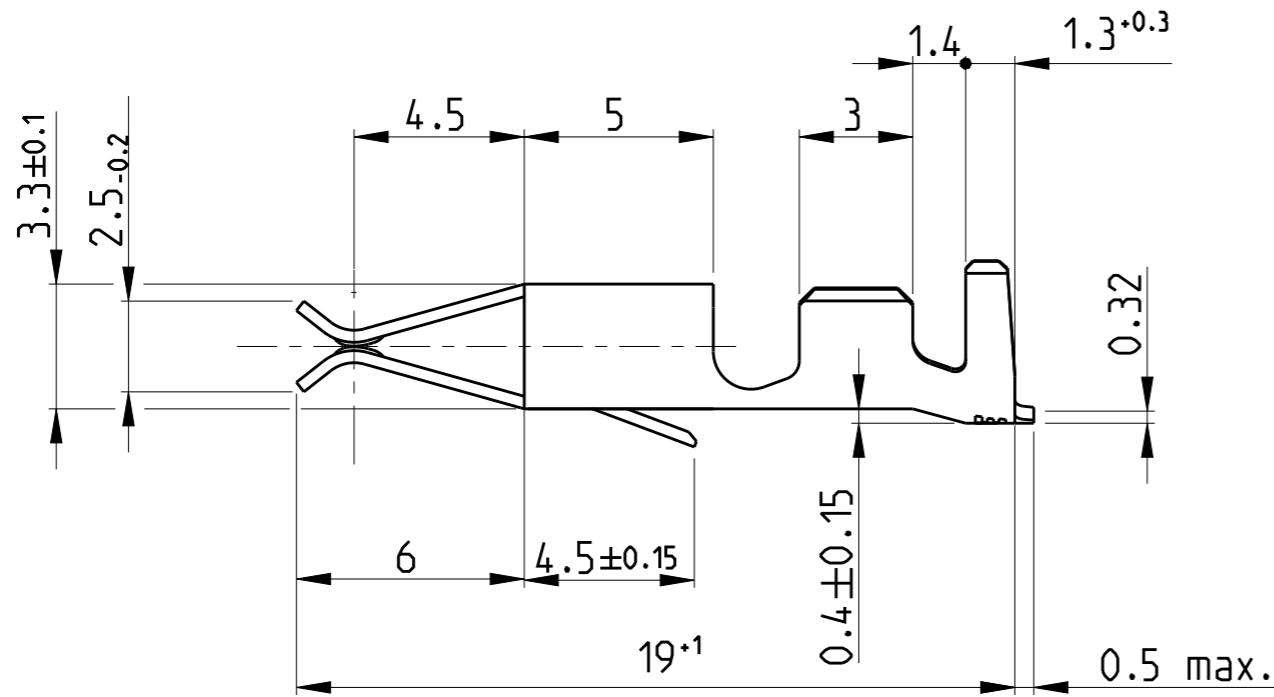
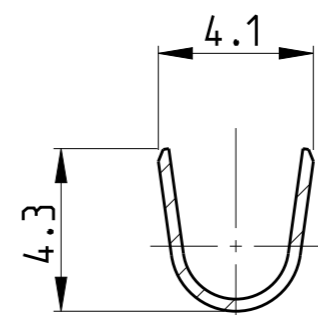


THIS DRAWING IS UNPUBLISHED. RELEASED FOR PUBLICATION 20
 © COPYRIGHT 20 BY - ALL RIGHTS RESERVED.

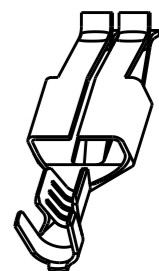
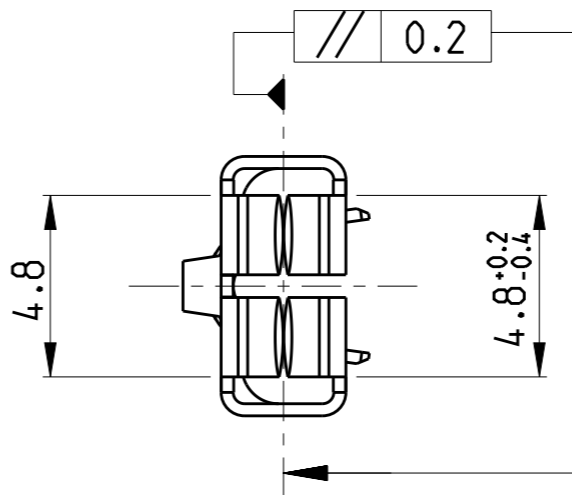
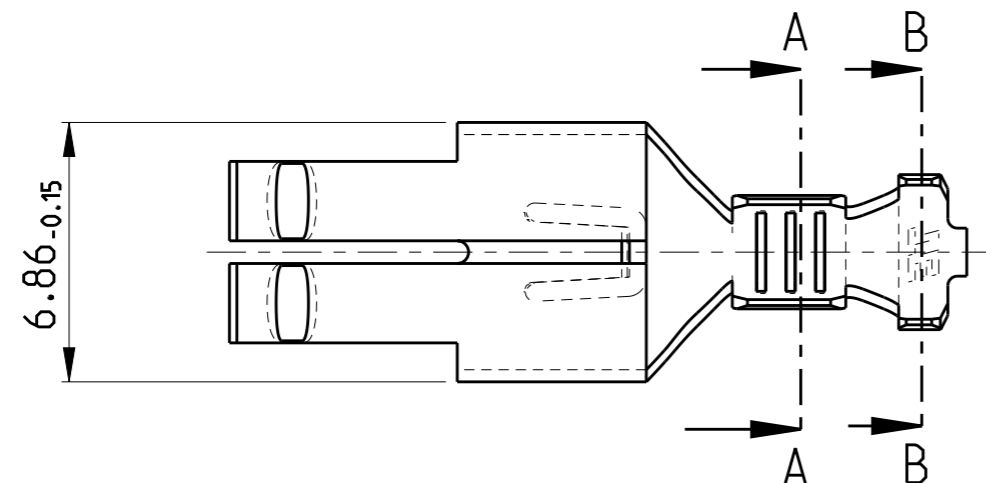
LOC	DIST	REVISIONS					
AL	2	P	LTR	DESCRIPTION	DATE	DWN	APVD
			R	SEE ECR 11-010607	30MAR2011	JS	LB
			S	CHANGED WIRE RANGE FROM 0.5-1.5 TO 1.0-1.5	31JAN2012	JS	RS
			S1	ECR-14-007191	25JUN2014	SK	RS
			S2	ECR-15-012070	13AUG2015	JBH	BK



A-A



B-B



2:1

1 SPLICE FREE
ohne Verbinder

OBSOLETE	TIN (vorverzinnt)	CuZn30	925575-4	1	AD
OBSOLETE	TIN (vorverzinnt)	CuFe2	925575-3		AD
	TIN (vorverzinnt)	CuSn4	925575-2		AD
	TIN (vorverzinnt)	CuZn30	925575-1		AD
	FINISH	MATERIAL	PART NO.		REV.

CROSS-SECTION IN mm ² Leitungsquerschnitt in mm ²
0.5 + 0.5
0.75 + 0.5
1.0
1.5

THIS DRAWING IS A CONTROLLED DOCUMENT.

DWN	JS	13-Aug-15
CHK	RS	30MAR2011
APVD	LB	30MAR2011
PRODUCT SPEC	-	
APPLICATION SPEC	-	
WEIGHT	-	
Customer Drawing		

TE Connectivity

STANDARD TIMER CONTACT

SIZE	CAGE CODE	DRAWING NO	RESTRICTED TO
A3	00779	C-925575	-

SCALE 5:1 SHEET 1 OF 1 REV S2