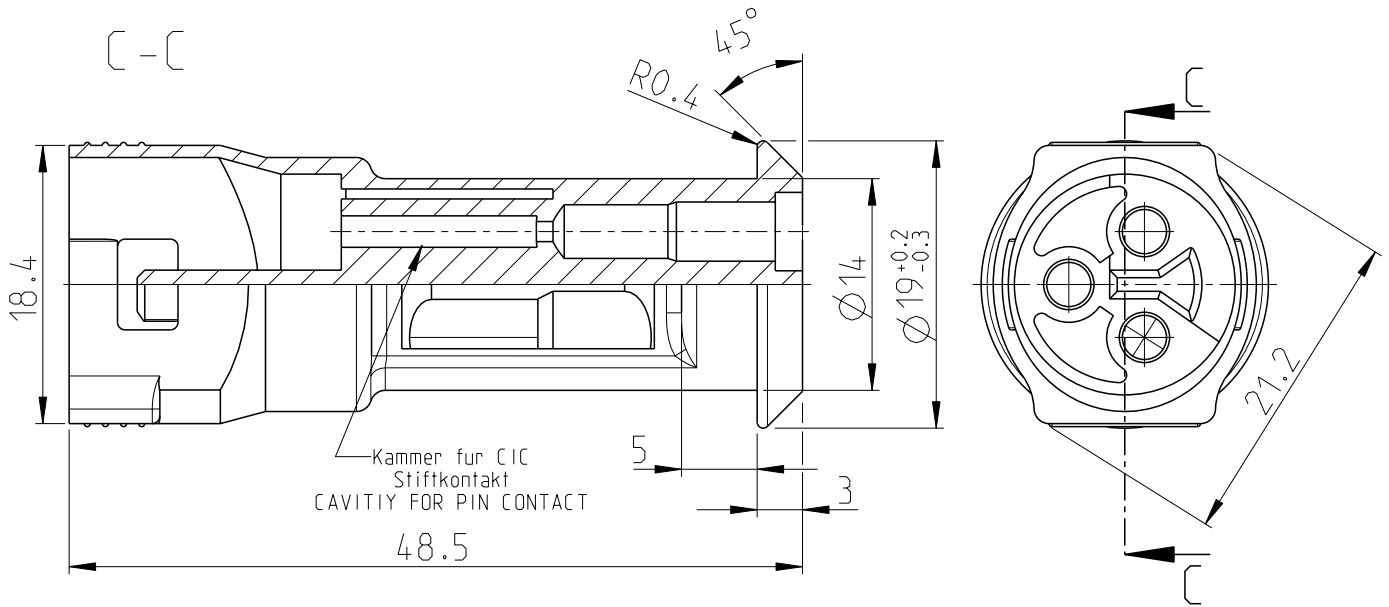


LOC	DIST	REVISIONS					
FM	-	P	LTR	DESCRIPTION	DATE	DWN	APVD
			A	-	28SEP1980	-	-
			B	-	04MAR1981	-	-
			C	-	07APR1981	-	-
			C1	ECR-12-013691	15AUG2012	GB	SzG

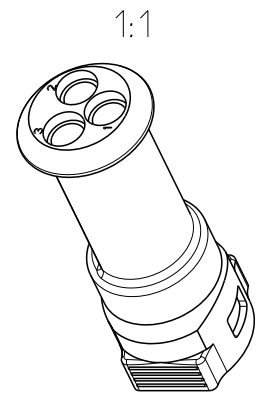


ACHTUNG !

Eine einwandfreie Funktion dieser Stecker kann nur bei Verwendung von Original-TEC Teilen und genauer Einhaltung der Verarbeitungsvorschriften garantiert werden.

CAUTION !

A faultless operation of this connectors can be guaranteed only if original TEC parts are used and exact observance of processing specifications.



2012

RELEASED FOR PUBLICATION

ALL RIGHTS RESERVED.

TE Connectivity

© COPYRIGHT 2012

THIS DRAWING IS UNPUBLISHED.

926553-2	926553-2	1	3 POL Stiftgehäuse 3 POS-PIN HOUSING	PA 6.6 GV 13	Rot RED
926553-1	926553-1	1	3 POL Stiftgehäuse 3 POS-PIN HOUSING	PA 6.6 GV 13	Schwarz BLACK
TE Bestell Nr. TE PART NO.	TE-Nr. TE NO.	Anzahl QU.	Benennung DESCRIPTION	MATERIAL	Farbe COLOUR

DIMENSIONS: mm	DWN Stein	28SEP1980	MATERIAL	-	FINISH	-
	CHK	-	TE Connectivity			
TOLERANCES UNLESS OTHERWISE SPECIFIED: ±0.2mm	APVD Adamski	28SEP1980				
	PRODUCT SPEC	-	SIZE	CAGE CODE	DRAWING NO	RESTRICTED TO
0 PLC ±	APPLICATION SPEC	-	A 4	00779	©=926553	-
1 PLC ±	WEIGHT	-	CUSTOMER DRAWING			
2 PLC ±			SCALE	2:1	SHEET	1 OF 1
3 PLC ±					REV	C 1
4 PLC ±						
ANGLES ±°						