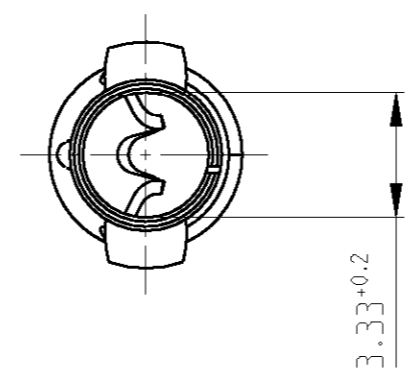
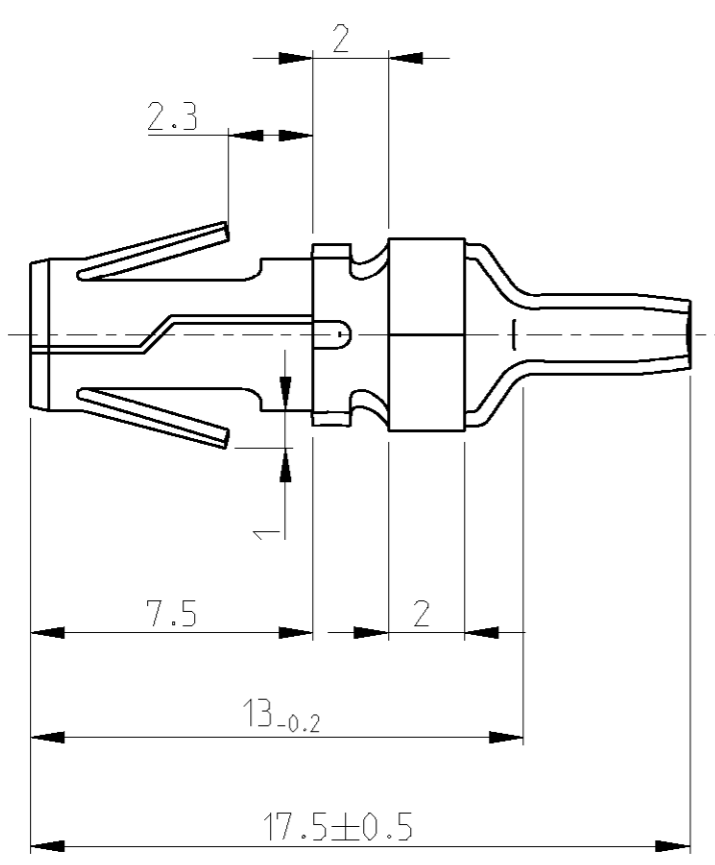
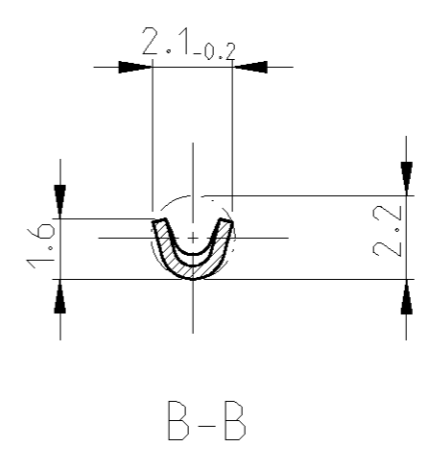
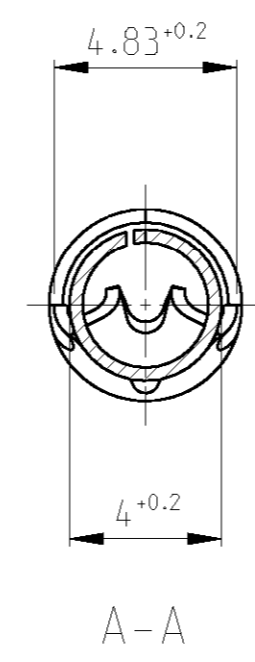
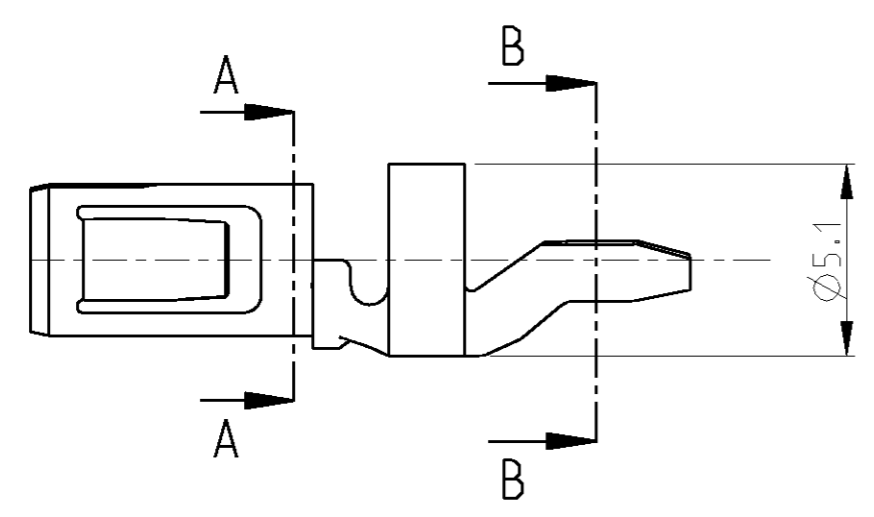


THIS DRAWING IS UNPUBLISHED. RELEASED FOR PUBLICATION 2003
 © COPYRIGHT 2003 BY TE CONNECTIVITY ALL RIGHTS RESERVED.

LOC	DIST	REVISIONS					
		P	LTR	DESCRIPTION	DATE	DWN	APVD
A1	-		A1	REVISED PER ECR-17-004745	03APR17	JB	DZ



FINISH	MATERIAL	PART-NO.	REV
LOOSE PIECE	pretinned	CuSn4	926995-1 A
STRIP	pretinned	CuSn4	926915-1 A

THIS DRAWING IS A CONTROLLED DOCUMENT FOR TFCO ELECTRONICS CORPORATION IT IS SUBJECT TO CHANGE AND THE CONTROLLING ENGINEERING ORGANIZATION SHOULD BE CONTACTED FOR THE LATEST REVISION.

DIMENSIONS: mm	TOLERANCES UNLESS OTHERWISE SPECIFIED: 1/ PLC ± 2/ PLC ± ±0.2 3/ PLC ± 4/ PLC ± ANGLES ±	DWN Abraham.G. 04 JUL 2003 CHK Kampmann.H. 05 JUL 2003 APVD - PRODUCT SPEC - APPLICATION SPEC - WEIGHT -		
MATERIAL -	FINISH -	CUSTOMER DRAWING	SCALE 5:1	SHEET 1 OF 1
		NAME .140 DIA SOCKET SOLDER VERSION	SIZE A3	CAGE CODE 00779
		DRAWING NO C=926915	RESTRICTED TO -	REV A1