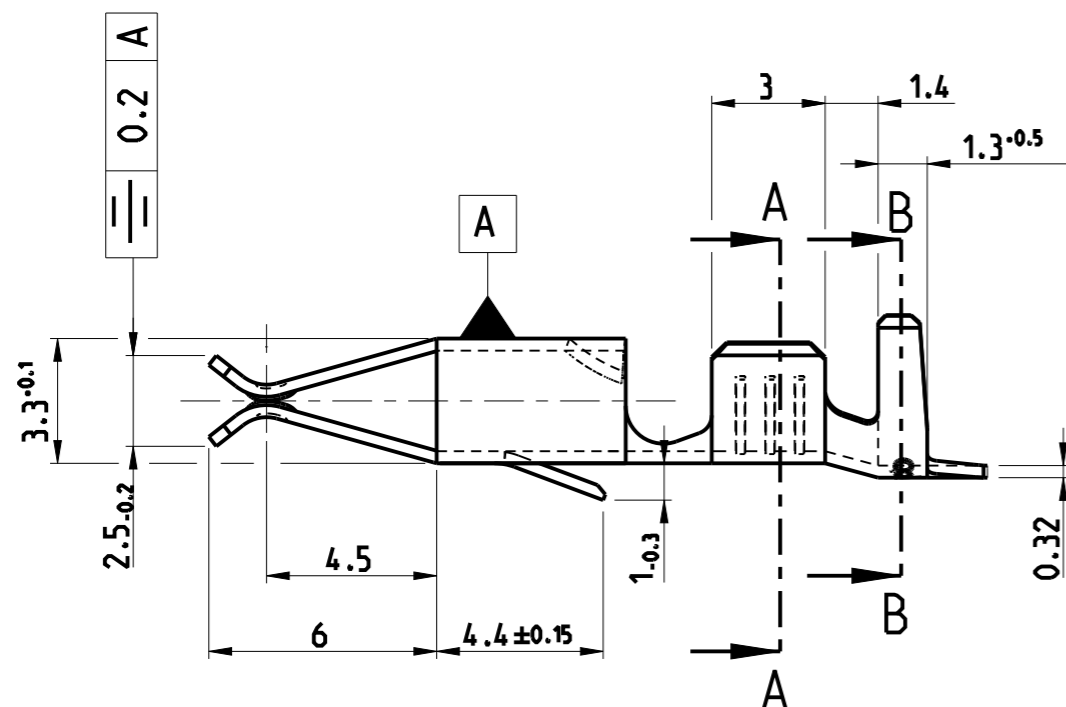


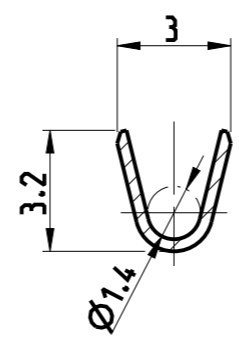
THIS DRAWING IS UNPUBLISHED. RELEASED FOR PUBLICATION 20
 © COPYRIGHT 20 BY - ALL RIGHTS RESERVED.

REVISIONS

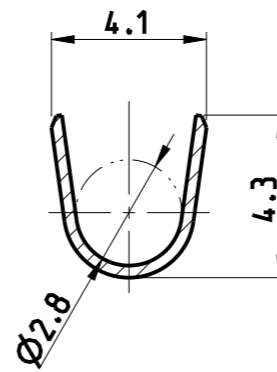
P	LTR	DESCRIPTION	DATE	DWN	APVD
	G	SEE ECR 11-010607	17MAY2011	JS	LB
	G1	ECR-14-007191	25JUN2014	SK	JS



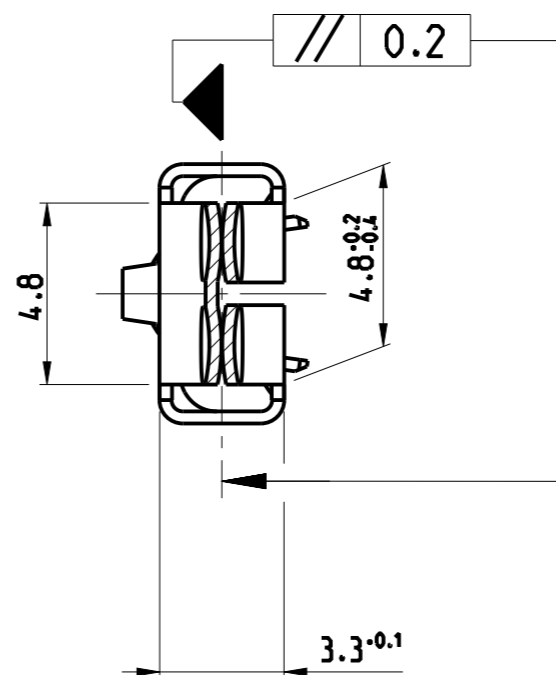
SECTION A-A



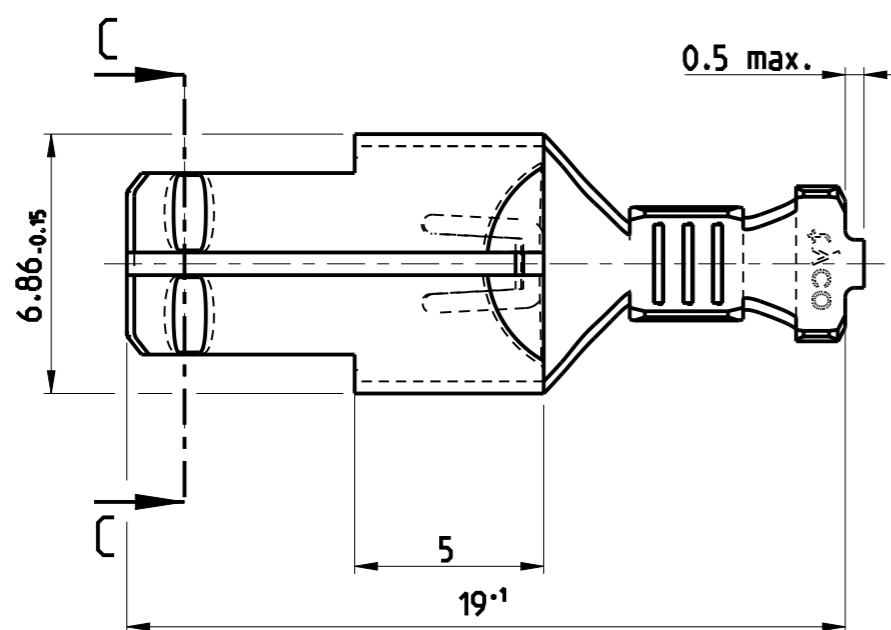
SECTION B-B



SECTION C-C



Kontakt geeignet für:
 Draht Groessenbereich 0.5 - 1.5 mm
 Isolationsbereich Ø2.0 - 3.0 mm



Leitungsquerschnitt in mm²

	Einzelanschlag	0.5	0.75	1.0	1.5
0.5	X	X			
0.75	X				
1.0	X				
1.5	X				

Notes

1 OBSOLETE

INZELAUSFUEHRUNG	BENENNUNG EINZELTEIL	OBERFLÄCHE	WERKSTOFF	BANDWARE	REV.
927936-4	STANDARD-TIMER Kontakt	vorverzinkt	CuNiSi	926965-4	F
927936-3	STANDARD-TIMER Kontakt	vorverzinkt	Kupfereisen	926965-3	F
927936-2	STANDARD-TIMER Kontakt	vorverzinkt	Bronze	926965-2	G
927936-1	STANDARD-TIMER Kontakt	vorverzinkt	Messing	926965-1	G

THIS DRAWING IS A CONTROLLED DOCUMENT.

DWN GOERKE 01FEB1988
 CNK BITSCH 27JUN2014
 APVD Bleicher.M. 19JUN07
 PRODUCT SPEC
 APPLICATION SPEC
 WEIGHT -

Customer Drawing

DIMENSIONS: mm
 TOLERANCES UNLESS OTHERWISE SPECIFIED:
 0 PLC ±0.2mm
 1 PLC
 2 PLC
 3 PLC
 4 PLC
 ANGLES ±1°
 FINISH

STE TE Connectivity

NAME: STANDARD TIMER CONTACT

SIZE: A3 CAGE CODE: - DRAWING NO: C-926965 RESTRICTED TO: -

SCALE: 5:1 SHEET: 1 OF 1 REV: G1