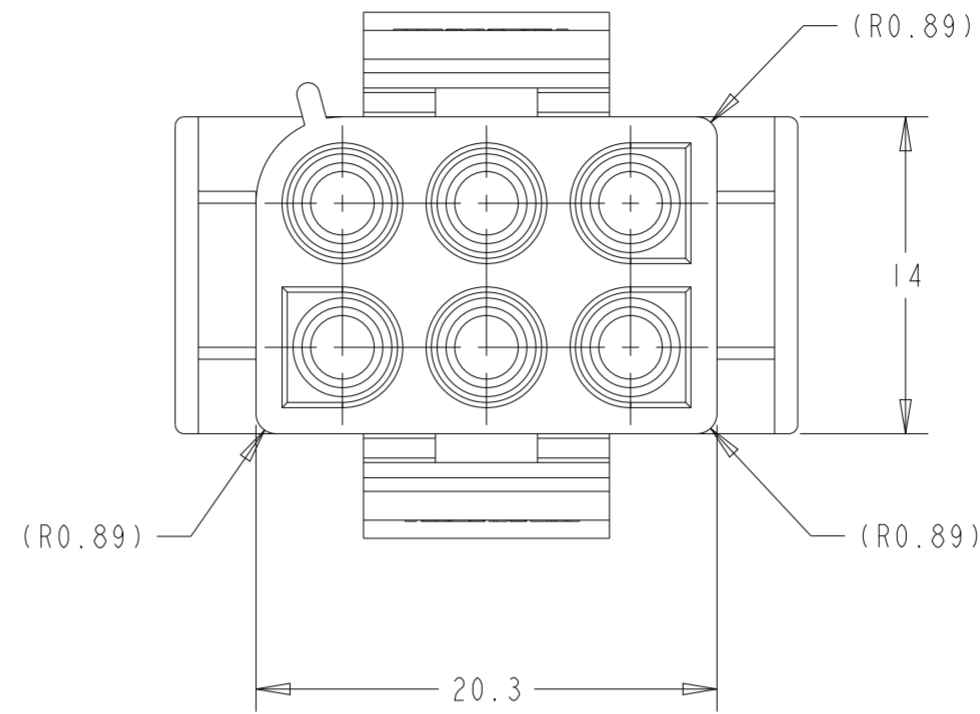
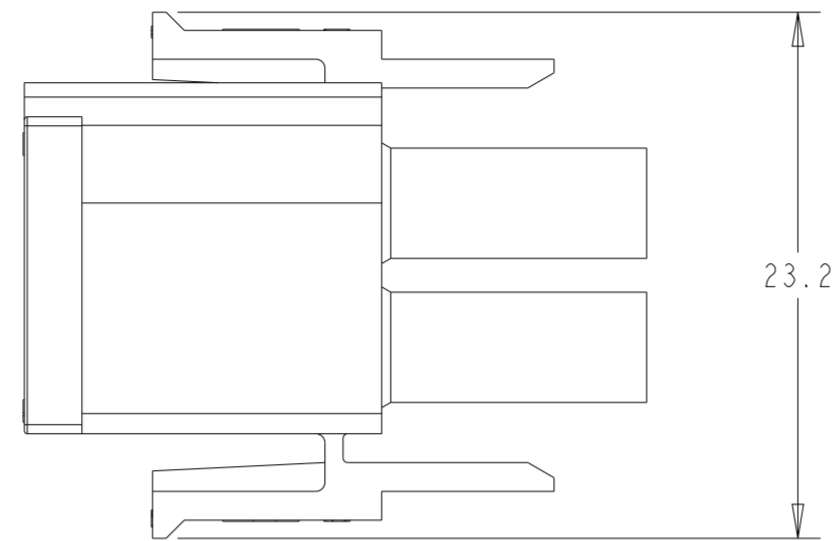
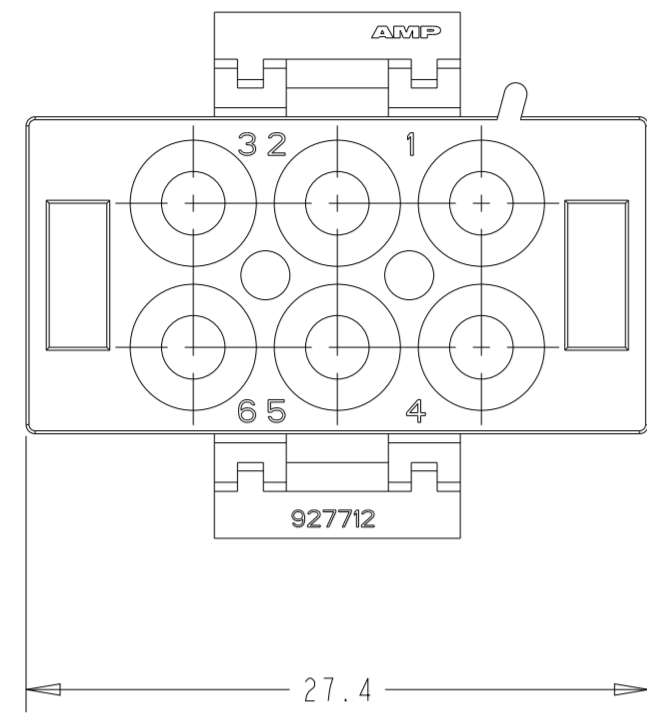
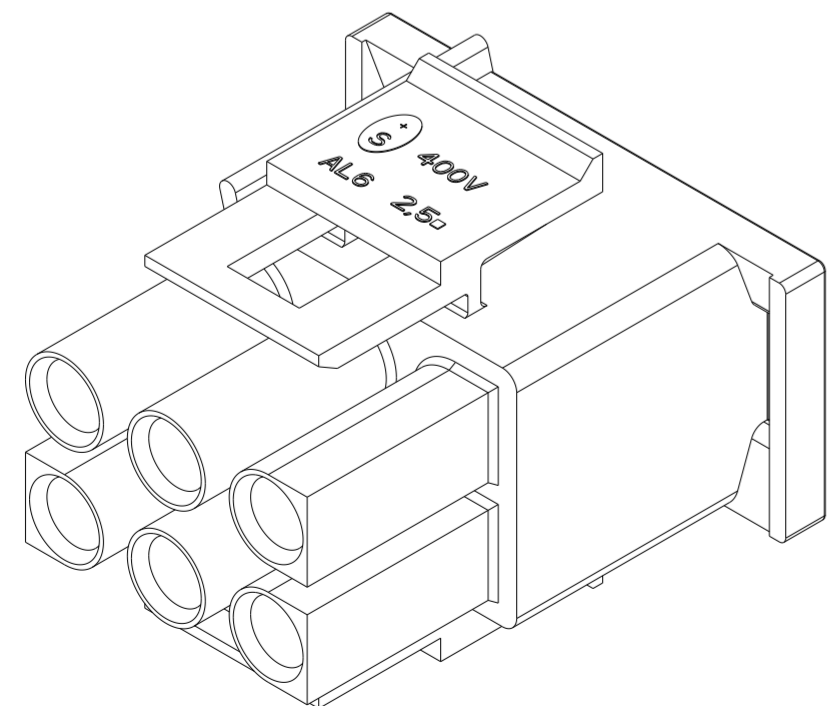
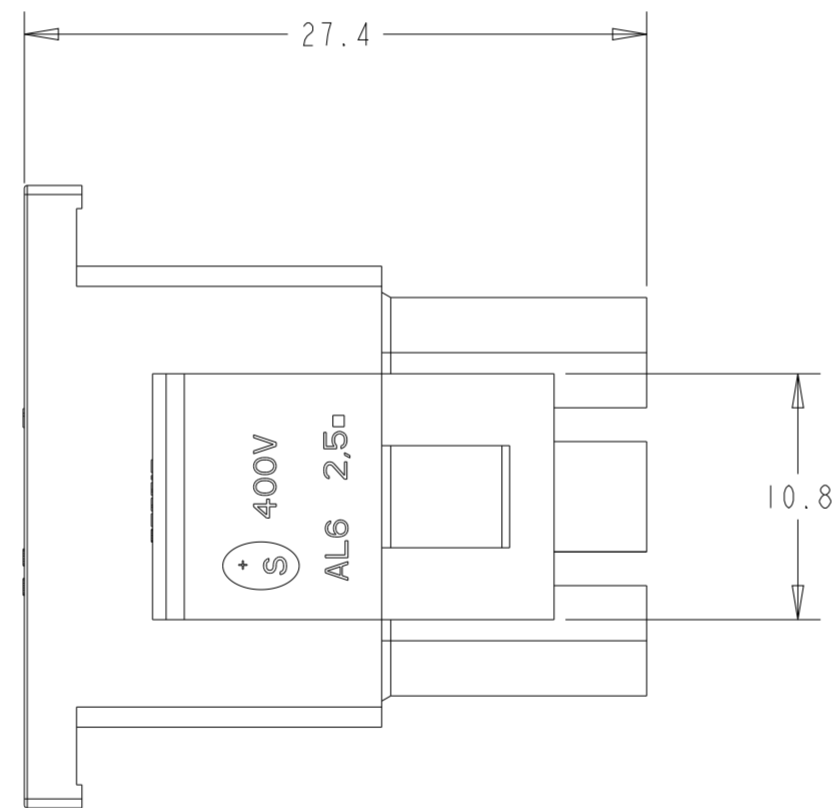


REVISIONS					
P	LTR	DESCRIPTION	DATE	DWN	APVD
D1		REVISED PER ECO-09-026444	27NOV2009	AEG	-
D2		REVISED PER ECR-17-014951	16OCT2017	KR	-
E		REVISED PER ECR-24-218682	09SEP2024	AK	BR



- 1 Geeignet für UMNL stift-und Buchsenkontakte
- 2 Nur passend zu PN 927713.
- 3 Für automatische Bestückung geeignet
- 4 NEUES MATERIAL (PHOSPHOR UND HALOGEN FREI)
- 5 OBSOLETE PARTS: OBSOLETE CIS STREAMLINING PER D.RENAUD/D.SINISI
- 6 DIMENSIONS SHOWN REPRESENT PRODUCT IN DRY, AS MOLDED, CONDITION. ADDITIONAL 2% GROWTH DUE TO SUBSEQUENT MOISTURE ABSORPTION MAY OCCUR AND SHOULD BE ACCOUNTED FOR.



927712-4	PA6.6 UL94 V-0	Weiß
927712-3	PA6.6 UL94 V-0	△NATURE
927712-2	PA6.6 UL94 V-0	Schwarz
927712-1	PA6.6 UL94 V-2	Natur
Bestell-Nr.	Werkstoff	oberfläche Farbe

5 OBSOLETE

THIS DRAWING IS A CONTROLLED DOCUMENT.		DWN	25AUG1983	TE Connectivity	
DIMENSIONS: mm		CHK	A. HERRANZ		
TOLERANCES UNLESS OTHERWISE SPECIFIED: ±0.2		APVD	J. SALO		
MATERIAL: SEE TABLE		PRODUCT SPEC	26AUG1983	NAME: UMNL 6-WAY PLUG HSG POLARIZING CAVITIES CHANGED	
FINISH: -		APPLICATION SPEC	-	SIZE: A2	CAGE CODE: 00779
CUSTOMER DRAWING		WEIGHT	-	DRAWING NO: C-927712	RESTRICTED TO: -
		SCALE	3:1	SHEET	OF 1
		REV	E		