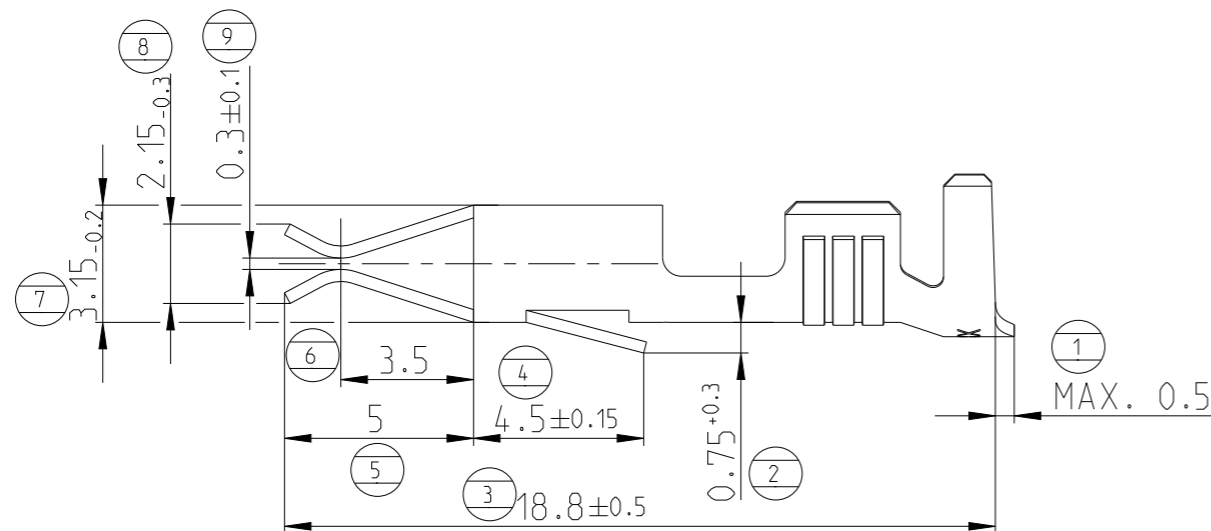


REVISIONS

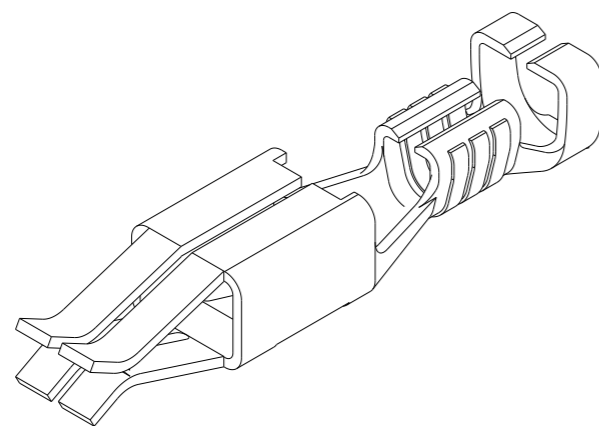
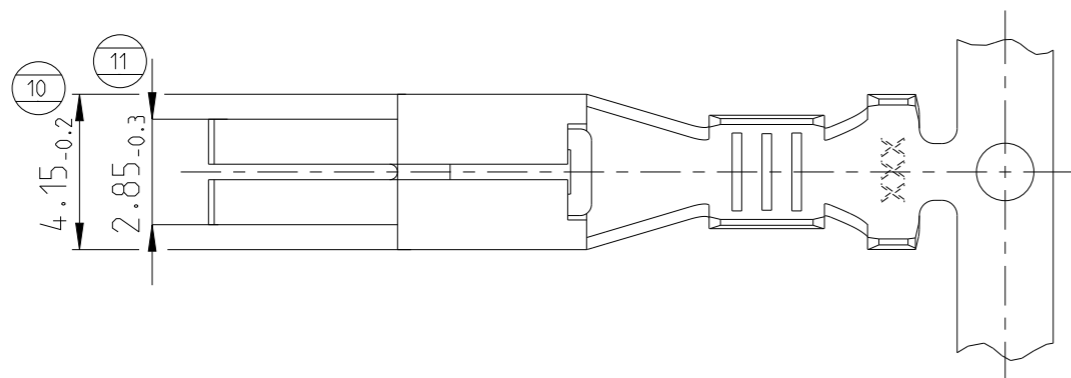
P	LTR	DESCRIPTION	DATE	DWN	APVD
B1		Revision angepasst	14MAR2008	Kirs.	-
B2		New CAD drawing created.	11JUN2013	Kirs.	Eder
B3		ECR-15-012070	13AUG2015	JBH	BK
B4		-4 INFORMATION ADDED	01FEB2022	SCB	PS



1 CONTACT WITH BARRIERTA GTE 403 TREATED.
 Kontakt mit Gleitmittel Barrierta GTE 403 behandelt.

WIRE SIZE RANGE: 0.5-1.5mm²
 Drahtgrößenbereich: 0.5-1.5mm²

INSULATION DIAMETER: Ø2.0-3.0mm
 Isolierungsdurchmesser: Ø2.0-2.0mm



927973-4 AS SHOWN

LOOSE PIECE	PRE TIN	CuSn	927973-4	B
STRIP	PRE TIN	CuSn	927973-3 1	B
STRIP	PRE TIN	CuSn	927973-1	B
	FINISH	MATERIAL	PART	REV

THIS DRAWING IS A CONTROLLED DOCUMENT.

DIMENSIONS:	TOLERANCES UNLESS OTHERWISE SPECIFIED:
mm	
	0 PLC ±0.2
	1 PLC ±0.2
	2 PLC ±0.2
	3 PLC ±0.2
	4 PLC ±0.2
	ANGLES ±2°
MATERIAL	FINISH
-	-
-	-

DWN	J.Kirschbaum	11JUN2013
CHK	M.Eder	11JUN2013
APVD	C.Goepfel	11JUN2013
PRODUCT SPEC	-	-
APPLICATION SPEC	-	-
WEIGHT	-	-
CUSTOMER DRAWING		



NAME
 JUNIOR TIMER CONTACT
 Junior Timer Kontakt

SIZE	CAGE CODE	DRAWING NO	RESTRICTED TO
A3	00779	927973	-
SCALE	SHEET	OF	REV
5:1	1	1	B4