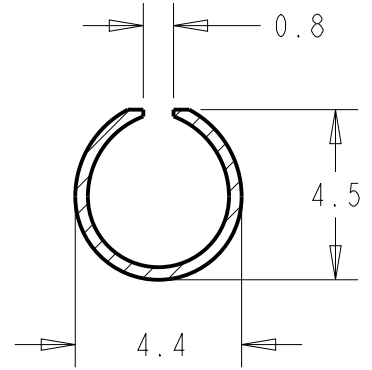
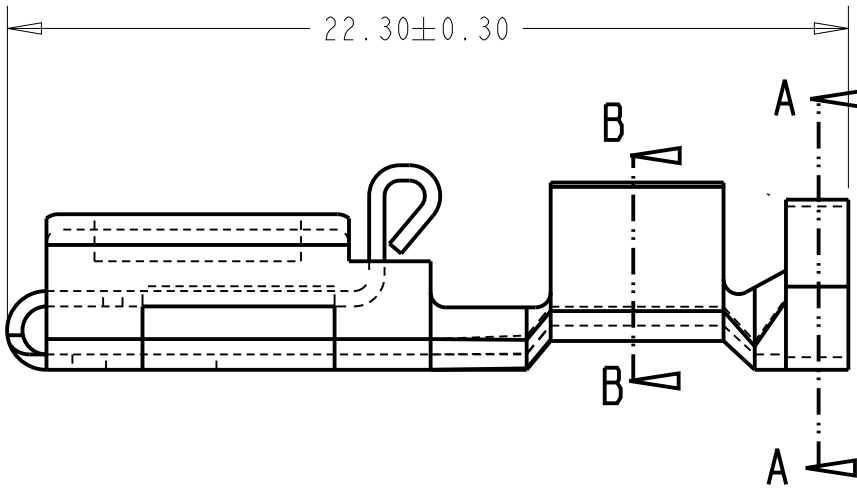
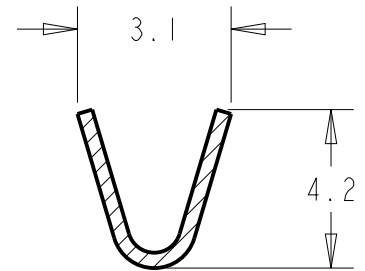
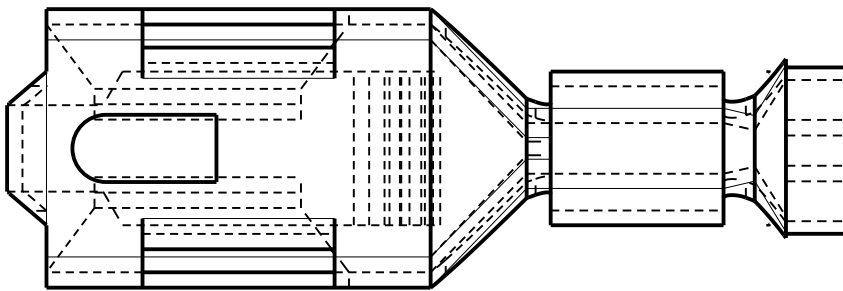


REVISIONS					
P	LTR	DESCRIPTION	DATE	DWN	APVD
	A	NEW DRAWING CREATION	09DEC2020	SS	TD



SECTION A-A




SECTION B-B

1. WIRE RANGE 1.0-2.5 mm²
2. INSULATION RANGE Ø 3.1-4.3 mm.

© 2020 TE Connectivity. All Rights Reserved.

160831-4	TINPLATED	CuSn 4	928901-4
160831-3	TINPLATED	CuZn 30	928901-3
Strip No	Finish	Material	Part No

DIMENSIONS: mm		DWN SADANAND SONTAKKE 09DEC2020	MATERIAL -		FINISH -	
TOLERANCES UNLESS OTHERWISE SPECIFIED:		CHK TANG DONNIE 10DEC2020	 TE Connectivity			
0 PLC ±-		APVD ERIC WANG 10DEC2020				
1 PLC ±0.2		PRODUCT SPEC 108-3017	NAME .250 POSITIVE LOCK RECEPTACLE (LOOSE PIECE)			
2 PLC ±0.00		APPLICATION SPEC 114-3118	SIZE A 4	CAGE CODE 00779	DRAWING NO C-928901	RESTRICTED TO -
3 PLC ±0.000		WEIGHT -	CUSTOMER DRAWING			
4 PLC ±0.0000			SCALE 5:1	SHEET 1	OF 1	REV A
ANGLES ±-						