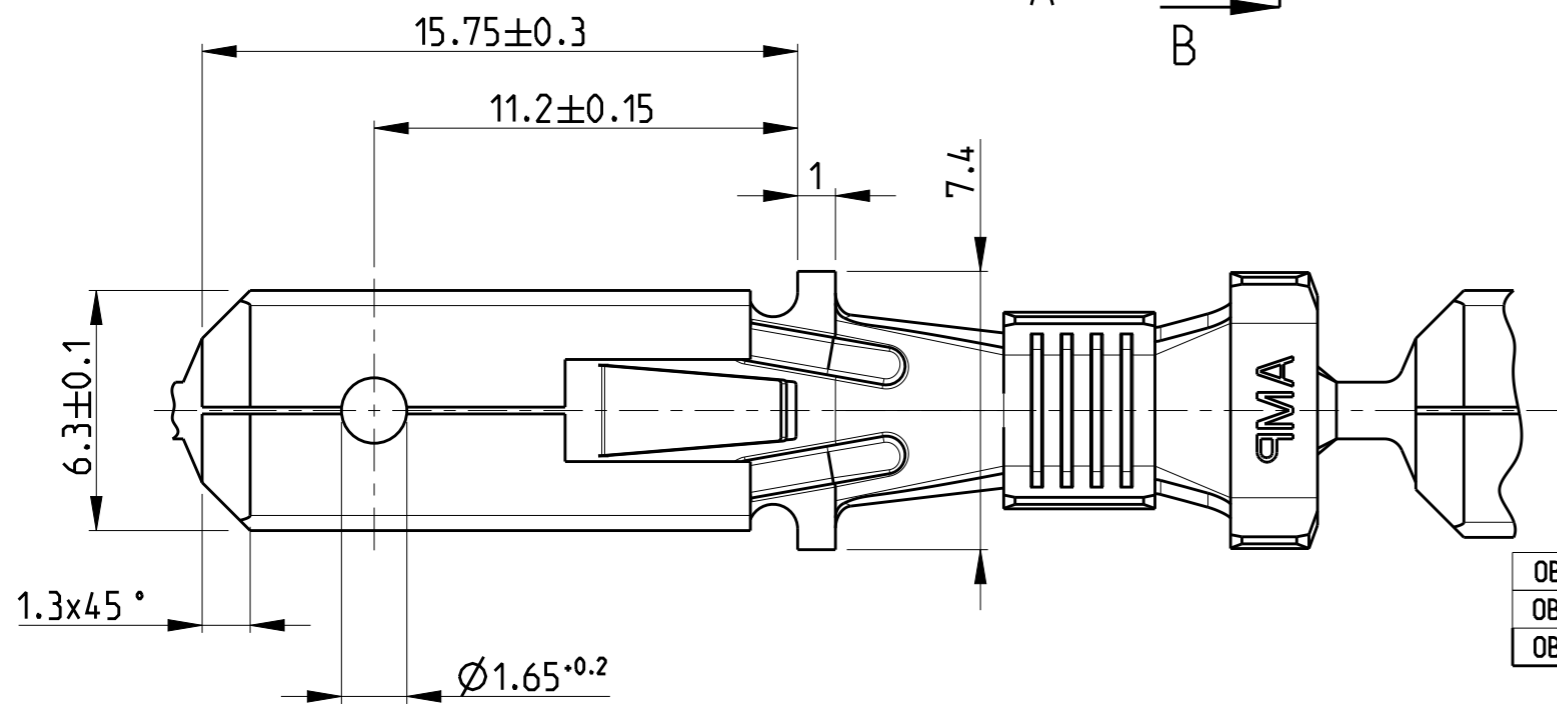
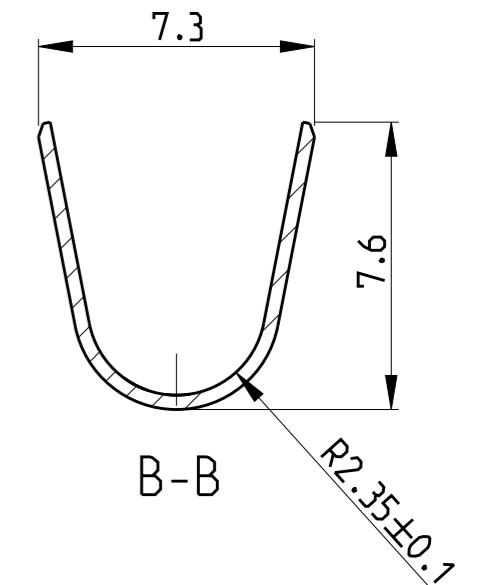
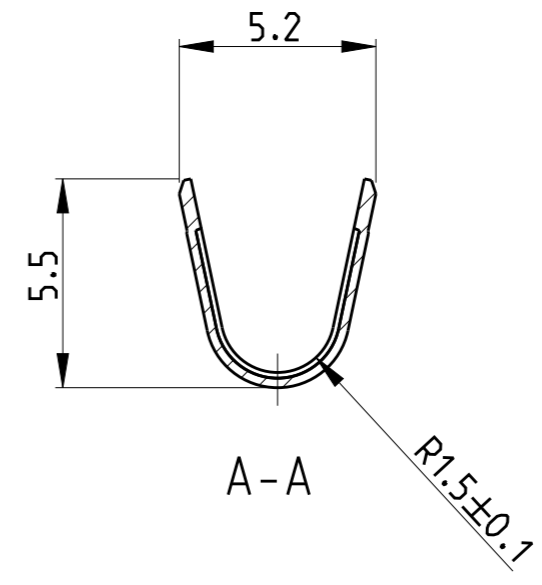
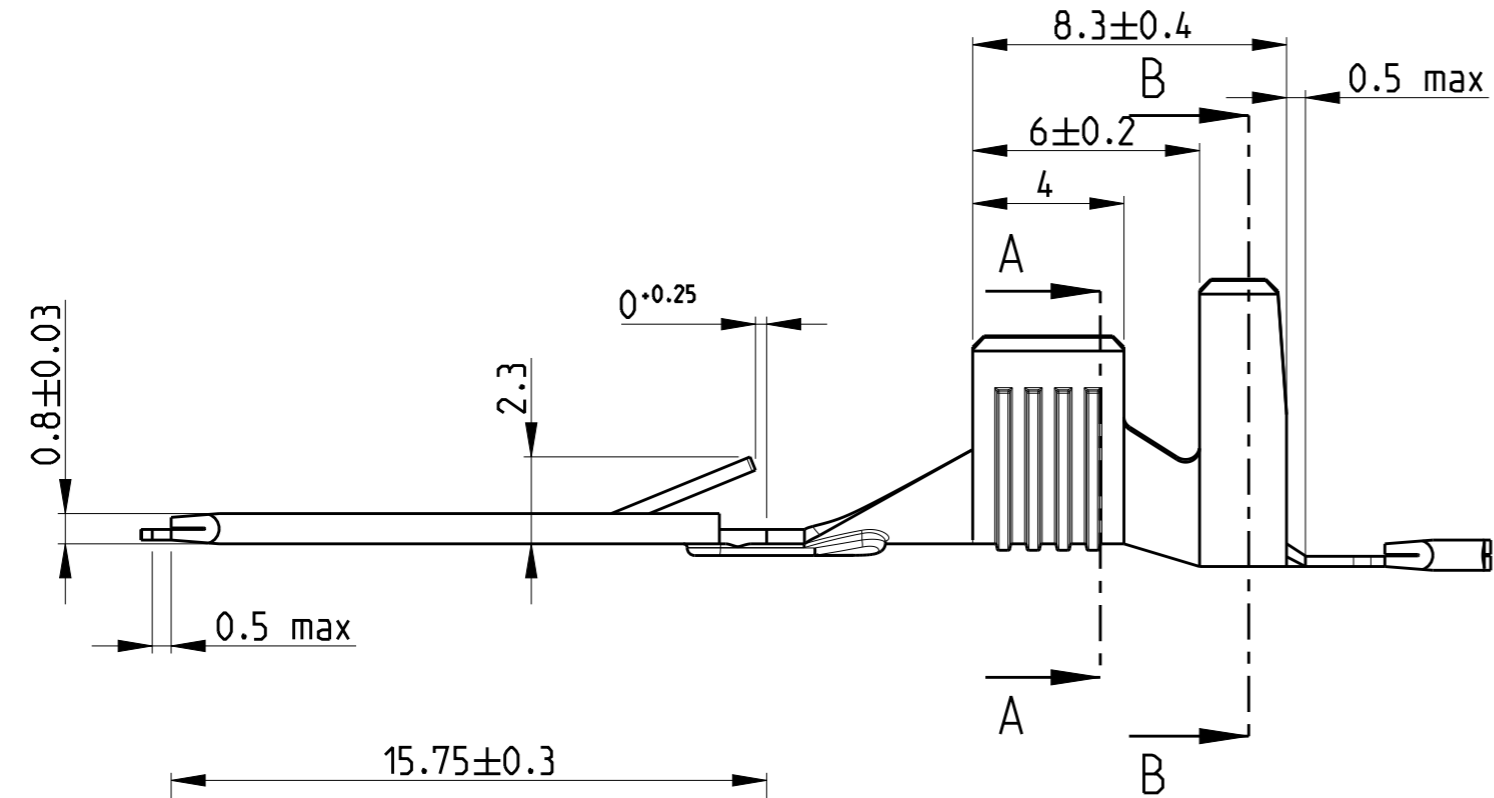
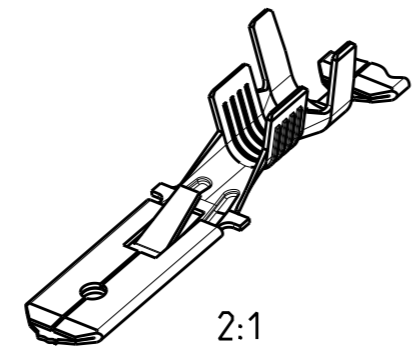


THIS DRAWING IS UNPUBLISHED. RELEASED FOR PUBLICATION 2005
 © COPYRIGHT 2005 ALL RIGHTS RESERVED.

LOC	DIST	REVISIONS			
P	LTR	DESCRIPTION	DATE	DWN	APVD
G1		NEW CAD DRAWING CREATED	15AUG2005	KF	CG
G2		DASH-NO. -4 /-5/ -6/ -7/ -8 REMOVED	15MAR2006	Abr	Goep
G3		ECR-10-026307	16JUN2011	KK	HMR
G4		ECO-17-016442	Jun42018	DT	TD



OBSOLETE	928952-3	PLAIN / blank	CuSn4	928951-3	G
OBSOLETE	928952-2	TIN / Zinn OVER/über Ni	CuZn30	928951-2	G
OBSOLETE	928952-1	PLAIN / blank	CuZn30	928951-1	G
	LOOSE PIECE No.	FINISH	MATERIAL	TE PART NUMBER	REV.



THIS DRAWING IS A CONTROLLED DOCUMENT.

DIMENSIONS: mm	TOLERANCES UNLESS OTHERWISE SPECIFIED: ±0.2	DWN K. Fruehwirth 15AUG2005	
	0 PLC 1 PLC 2 PLC 3 PLC 4 PLC ANGLES FINISH	CHK - 23AUG2005	
MATERIAL -		APVD M. Bleicher 24AUG2005	
		PRODUCT SPEC -	
		APPLICATION SPEC -	NAME .250ser. FAST-IN-ON TAB (ACCORDING TO DIN 46 343)
		WEIGHT 0.9 g	SIZE A3
		CUSTOMER DRAWING	CAGE CODE 00779
			DRAWING NO G-928951
			RESTRICTED TO
		SCALE 5:1	SHEET 1 OF 1
			REV G4