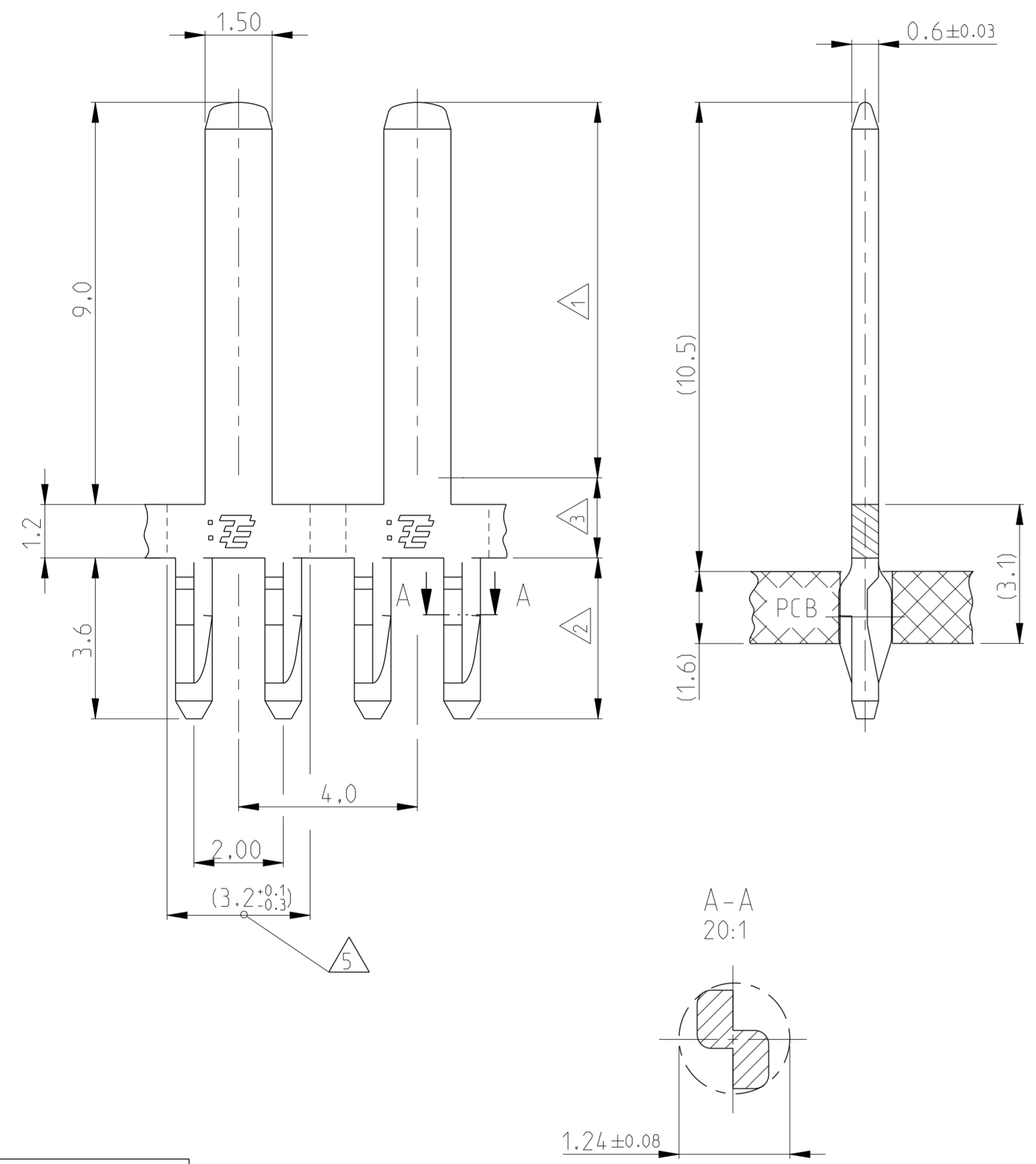
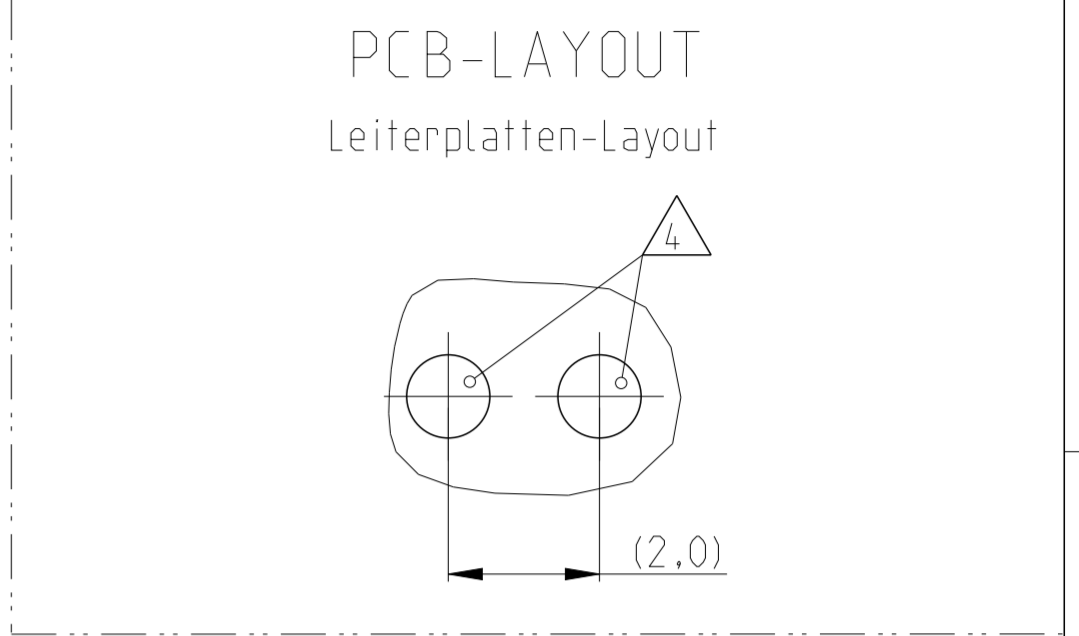
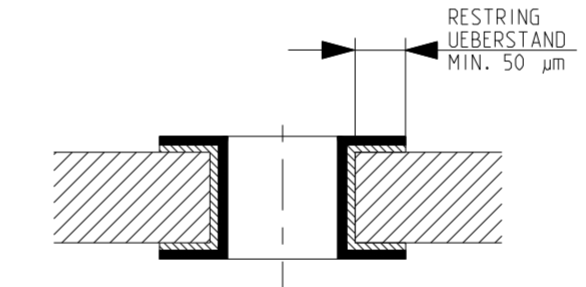


REVISIONS					
P	LTR	DESCRIPTION	DATE	DWN	APVD
B		DRAWING OVERWORKED	05SEP2000	PNI	
B1		DRILLED HOLE CHANGED FROM 1.15 TO 1.10 (DRAWING REWORKED)	25MAY2001	SSCH	
B2		OBSOLETE	27NOV2001	PNI	
B4		DRAWING ACTIVATES AND UPDATED ECR-16-007839	31MAY2016	Abr	Eder



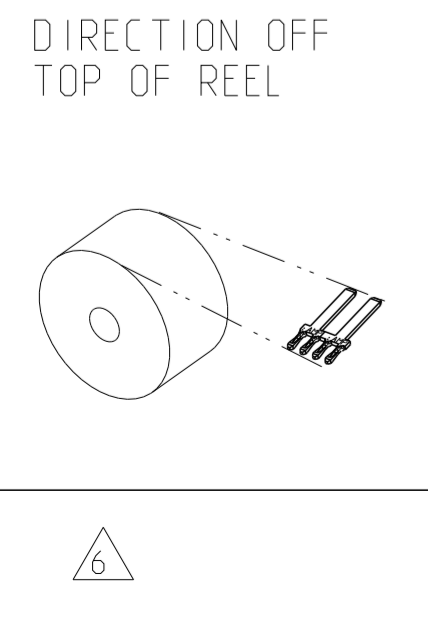
NOTES
 Bemerkungen

- 1 1-4 µm TIN OVER NICKEL
1-4 µm Zinn ueber Nickel
- 2 0.8-1.8 µm TIN OVER NICKEL
0.8-1.8 µm Zinn ueber Nickel
- 3 TIN AND NICKEL ALLOWED
Zinn und Nickel erlaubt
- 4



PLATED THROUGH HOLE SPECIFICATION SPEZIFIKATION FUER DURCHPLATIERTE BOHRUNGEN	
Cu THICKNESS KUPFER-SCHICHTDICKE	25-50 µm
Sn Pb-THICKNESS ZINN/BLEI SCHICHTDICKE	4-15 µm
DRILLED HOLE Ø1.10±0.025 BOHRLOCH-Ø1.10±0.025	FINISHED HOLE Ø0.94 ^{+0.15} _{-0.15} PLATIERTER LOCH-Ø0.94 ^{+0.15} _{-0.15}

- 5 DIMENSION OF LOOSE PIECE
Mass fuer Einzelteil
- 6 TO BE REELED ON PLASTICREEL WITH INTERLEAVINGPAPER
Aufgespult auf Kunststoffspulen mit Zwischenlagenpapier



1-929450-3	B	Cu Sn 4	1 2 3	6
TE PART NO	REV.	MATERIAL	SURFACE	REALPACKING

THIS DRAWING IS A CONTROLLED DOCUMENT.		DWN S.Schaefer 04MAY1999	TE Connectivity	
DIMENSIONS: mm	TOLERANCES UNLESS OTHERWISE SPECIFIED: Allgemeintoleranz n. ISO 8015 n. ISO 2768-MS-E	CHK J.Ryll 04MAY1999	NAME TAB 1.5x0.6 WITH ACTION PIN Flachstecker 1.5x0.6 mit ACTION PIN	
	0-PLC ± 1-PLC ±0.2 2-PLC ±0.1 3-PLC ± 4-PLC ±	APVD -	PRODUCT SPEC 108-18706	RESTRICTED TO -
	ANGLES FINISH ±°	MATERIAL -	APPLICATION SPEC 114-18379	SCALE 10:1
		WEIGHT -	SIZE A2	SHEET 1 OF 1
		CUSTOMER DRAWING	CAGE CODE A200779	REV. B4
			DRAWING NO G-929450	