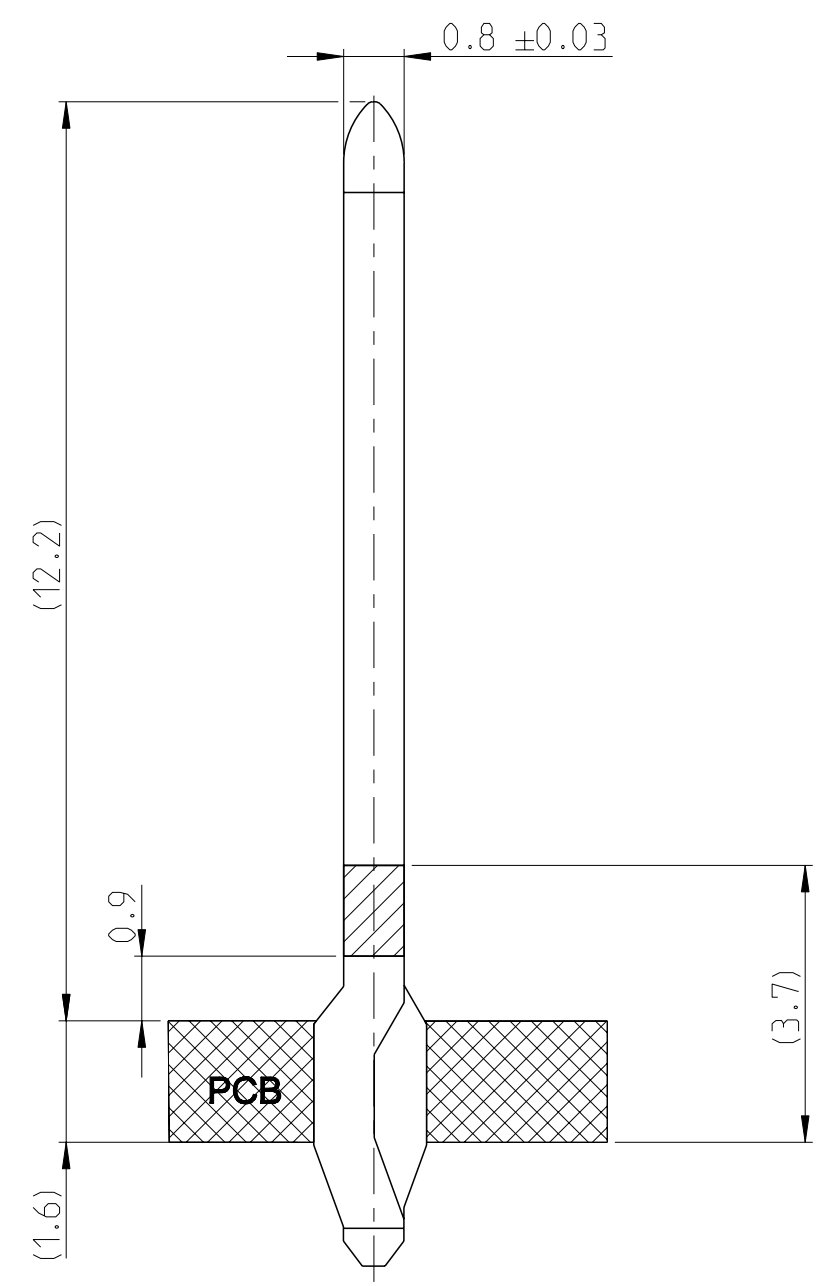
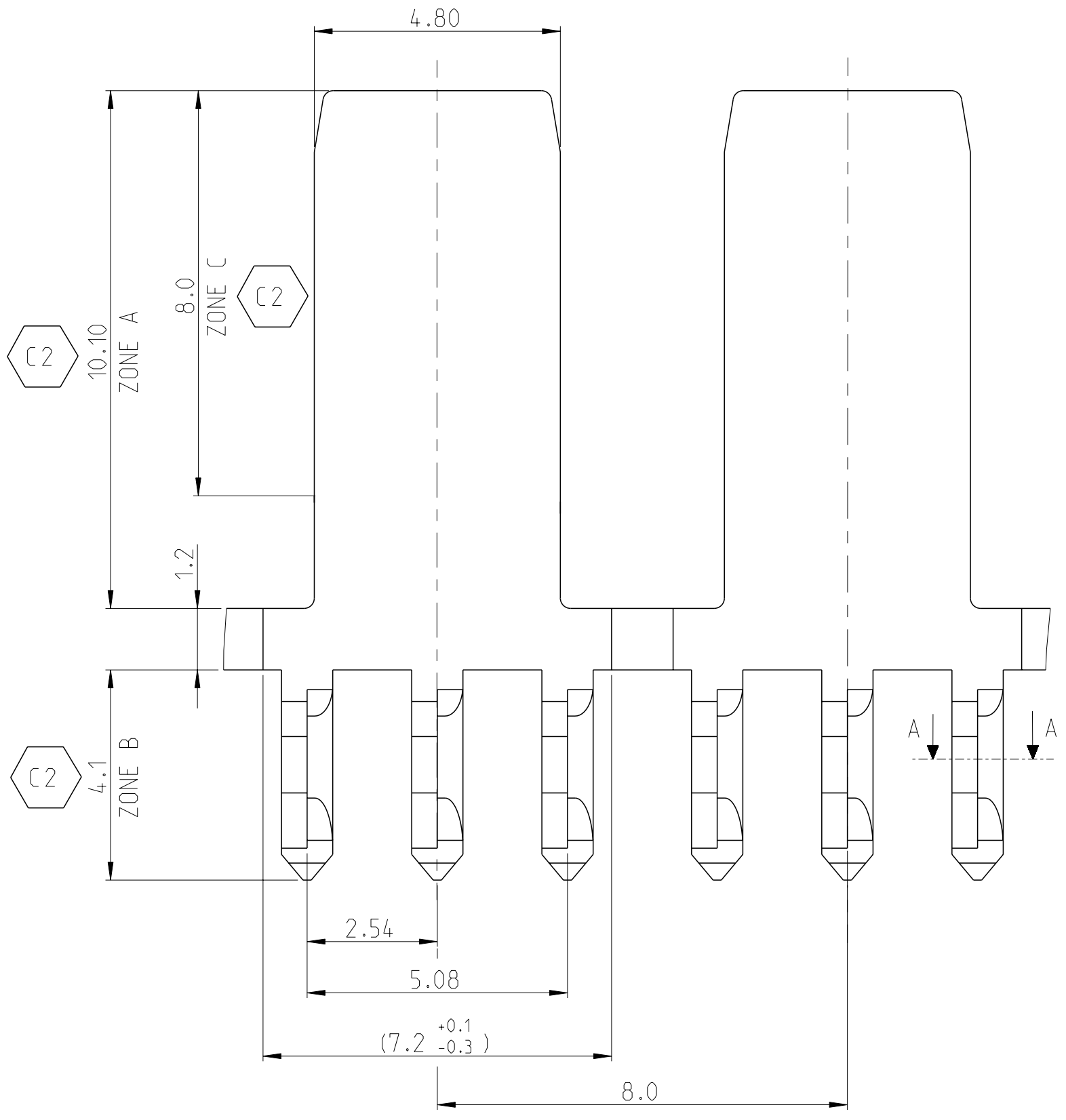
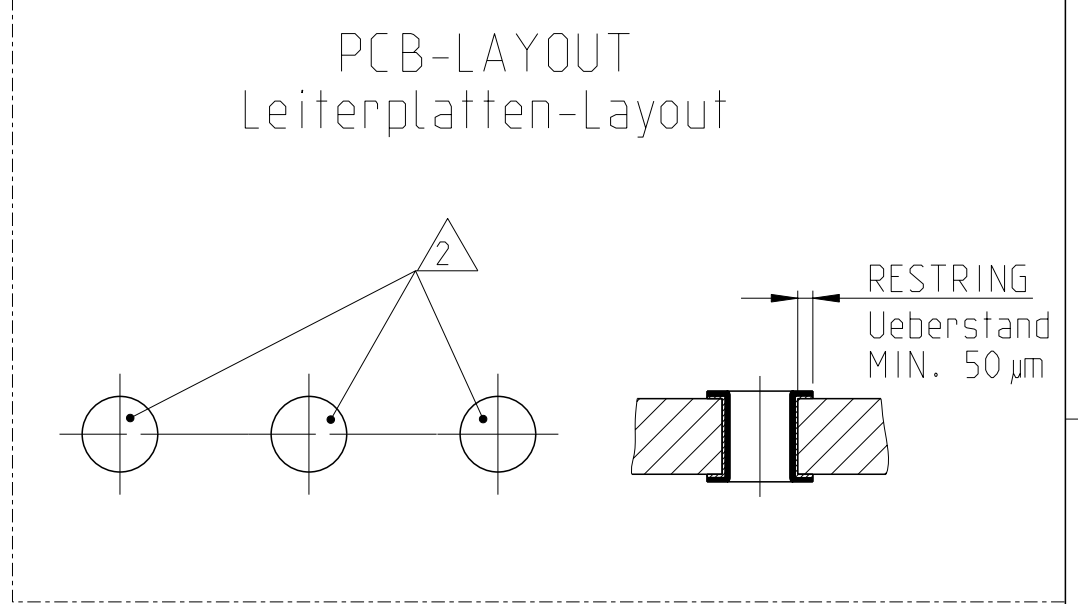


LOC	DIST	REVISIONS AENDERUNGEN			
P	LTR	DESCRIPTION BESCHREIBUNG	DATE	DWN	APVD
A1	-				
PROJEKT NR.: 98-52262		B1	APPLICATION- AND PRODUCT SPEC NO. ADDED	21NOV2001	PIN
		C	NEW TOP OF TAP AND DIRECTION OF TOP OF REEL ADDED	06OCT2004	PIN
		C1	NEW VARIANT 1-929451-4 ADDED	17JAN2019	FRAN PFIS
		C2	SEE ECR-19-001009	21JAN2019	FRAN PFIS



NOTES: BEMERKUNGEN:

- ① ZONE A: 1-4 µm TIN  
ZONE B: 0.8-1.8 µm TIN  
  
Zone A: 1-4 µm Zinn  
Zone B: 0.8-1.8 µm Zinn

②

PLATING ACROSS OF HOLE SPEC.	
COPPER COATING	35-50 µm
TIN COATING	0.5-1.5 µm
HOLE DIA.	∅1.5±0.025
PLATED DIA.	∅1.44-0.15
HOLES PITCH	2.54±0.05 (2x)

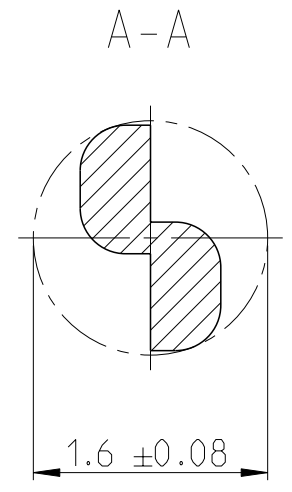
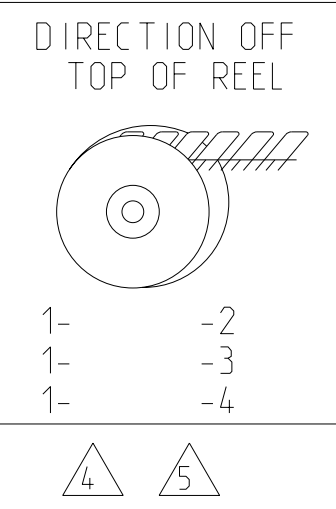
PLATED THROUGH HOLE SPECIFICATION	
Durchplatierte Bohrungen Spezifikation	
Cu-THICKNESS Kupferschicht	25-50 µm
Sn Pb-THICKNESS Zinn/Blei Schicht	4-15 µm
DRILLED HOLE ∅1.5±0.025	FINISHED HOLE ∅1.44-0.15
Bohr ∅1.5±0.025	Platierter Loch-∅1.44-0.15

③ DIMENSION OF LOOSE PIECE  
Mass fuer Einzelteil

④ TO BE REELED ON PANCAKEREEL WITH INTERLEAVING PAPER  
Pappspulen mit Zwischenlagenpapier

⑤ TO BE REELED ON PLASTICREEL WITH INTERLEAVING PAPER  
Kunststoffspulen mit Zwischenlagenpapier

- ⑥ ZONE C: 1.5-5 µm SILVER  
ZONE B: 0.8-1.8 µm Sn TIN  
  
Zone C: 1.5-5 µm Silber  
Zone B: 0.8-1.8 µm Sn Zinn



PART NO.	REV.	MATERIAL	SURFACE	REALPACKING
1-929451-4	A	CuSn4	⑥	④
1-929451-3	C	CuSn4	①	⑤
1-929451-2	C	CuSn4	①	④

THIS DRAWING IS A CONTROLLED DOCUMENT.

DWN: S. Schaefer 04MAY1999  
CHK: J. Ryll 04MAY1999

TE Connectivity

NAME: TAB 4.8x0.8 WITH ACTION PIN  
Flachstecker 4.8x0.8 mit ACTION PIN

SIZE: A2 CAGE CODE: 00779 DRAWING NO: 929451 RESTRICTED TO: C2

SCALE: 2:1 SHEET: 1 OF 1