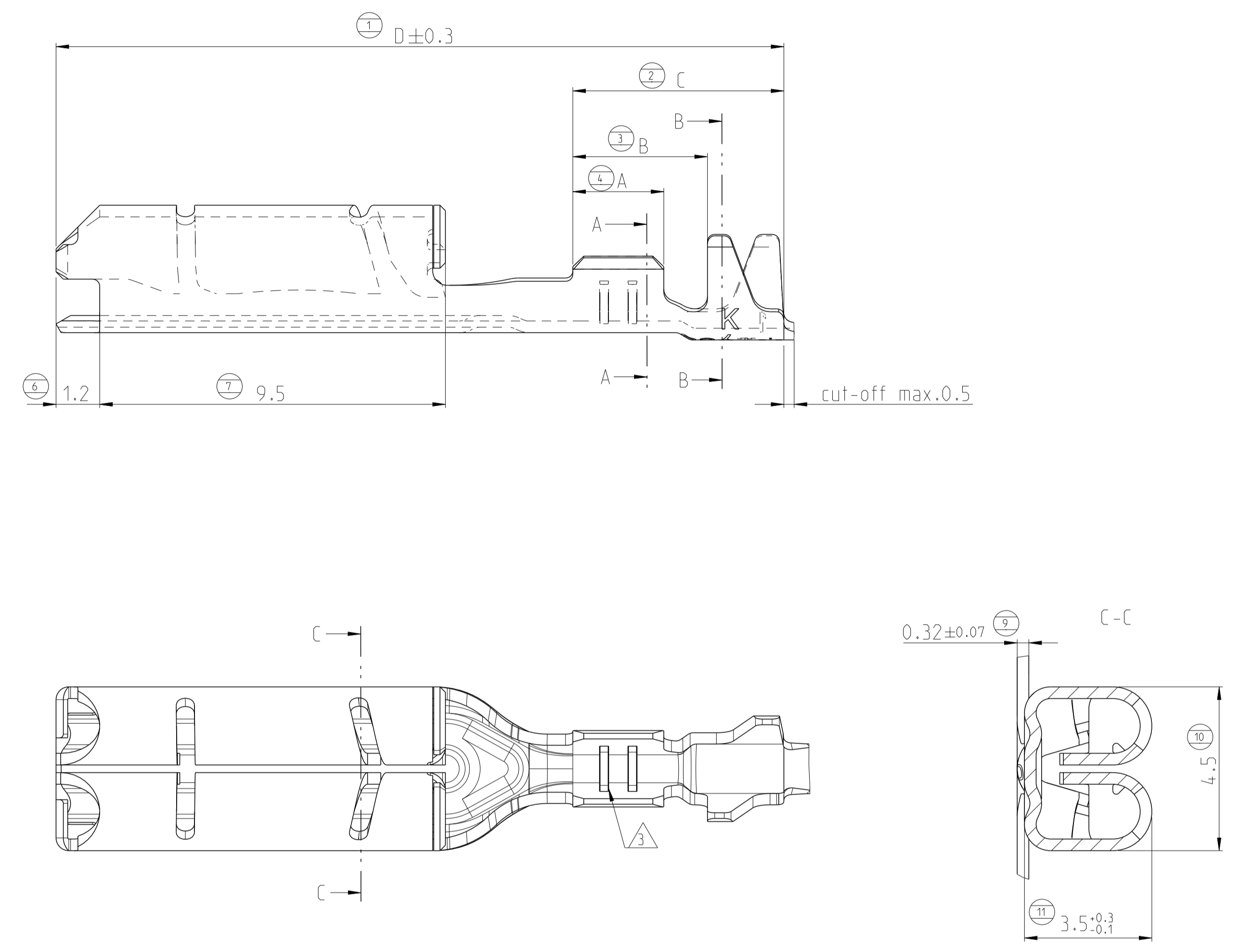


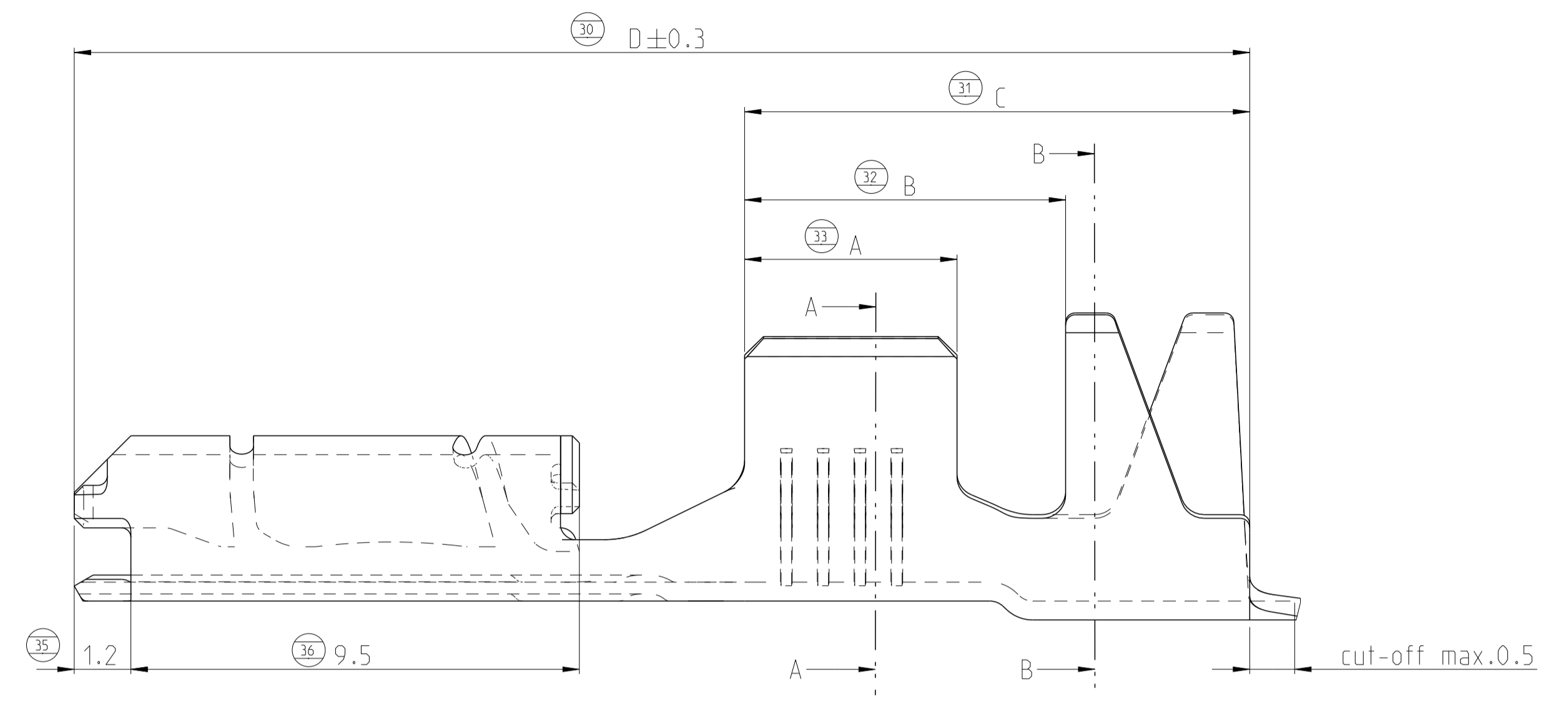
LOC		DIST		REVISIONS			
P	LTN	DATE	DWN	APVD			
A	NEW DRAWING	13MAY2013	MP	PSI			

VERSION A

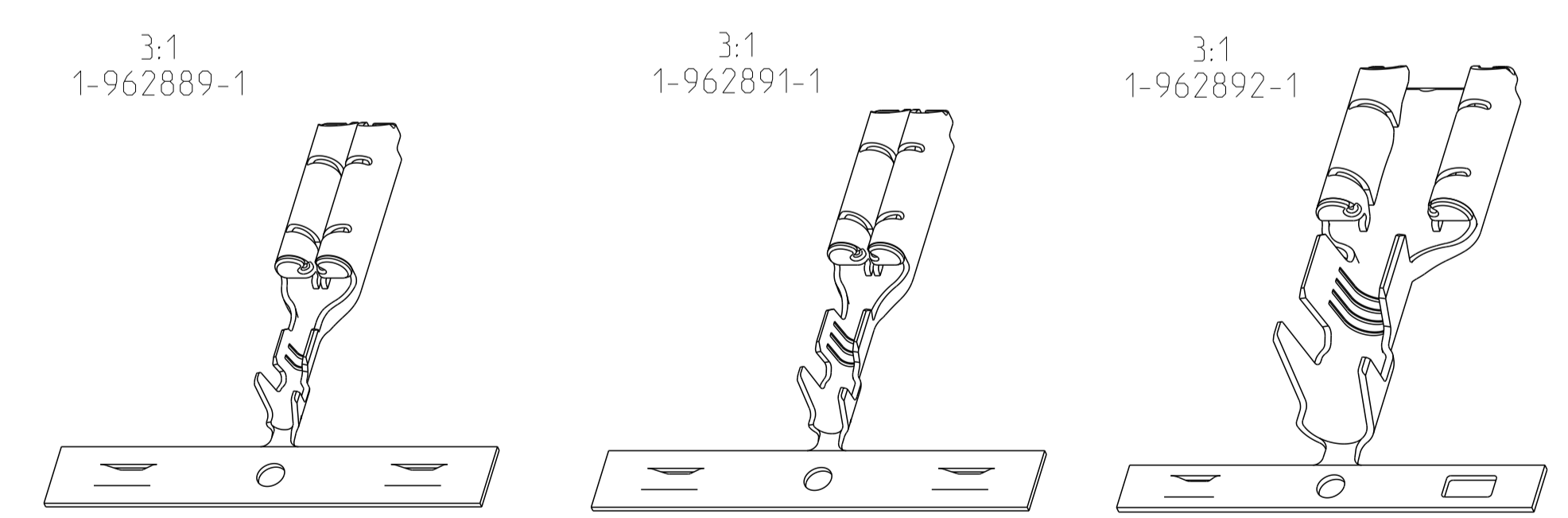
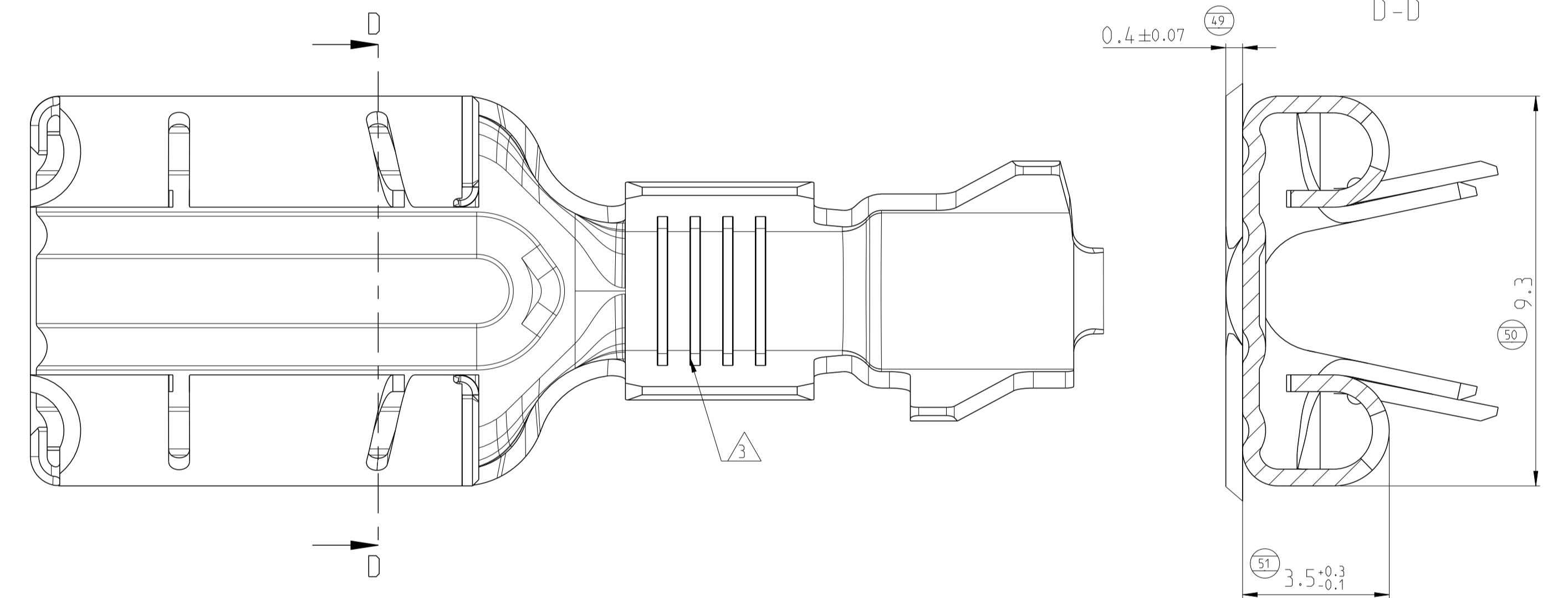


1-962889-1 AS SHOWN
wie gezeichnet

VERSION B



1-962892-1 AS SHOWN
wie gezeichnet



- Einzelheiten der Ausführung bleiben dem Hersteller überlassen
DETAILS OF DESIGN ARE LEFT TO MANUFACTURER
 - Nur für FLR-Leitung nach DIN 72551-6
FOR FLR-CONDUCTOR ACCORDING TO DIN 72551-6 ONLY
 - Passend zu Kammverbinder
SUITABLE FOR BRANCHCONNECTOR
- 3 Anzahl der Serration
NUMBER OF SERRATION

A	B	TE	BESTELL-NR. ORDER NO.	REV.	Einzelansicht LOOSE PIECE TE-BESTELL-NR. TE-ORDER-NO.	DGB WIRE-SIZE-RANGE [mm ²]	Isolations Ø INSULATION Ø [mm]	Material MATERIAL	Länge LENGTH	Drahtcrimp WIRE CRIMP	Iso'crimp INSU.CRIMP	Gramm lg Gewicht/WEIGHT	3
X			1-962892-1	D	1-963762-1	4.0 - 6.0 FLR	3.2 - 4.3	CuNiSi	A = 4.5 B = 6.8 C = 10.7 D = 24.9	E = 5.2 G = 5.6 D _{gr} 2.9	H = 6.2 K = 6.5 D _{gr} 3.8	1.3	4
X			1-962891-1	E	1-963761-1	1.5 - 2.5 FLR	2.1 - 3.0	CuNiSi	A = 3.6 B = 5.2 C = 8.25 D = 22.45	E = 3.6 G = 3.8 D _{gr} 1.7	H = 4.3 K = 4.5 D _{gr} 2.6	0.7	3
X			1-962890-1	G	1-963760-1	0.75 - 1.0 FLR	1.4 - 2.1	CuNiSi	A = 3.0 B = 4.6 C = 7.0 D = 21.2	E = 2.6 G = 2.8 D _{gr} 1.2	H = 3.2 K = 3.4 D _{gr} 1.8	0.6	3
X			1-962889-1	K	1-963759-1	0.2 - 0.5 FLR	1.15 - 1.6	CuSn4	A = 2.5 B = 3.7 C = 5.8 D = 20	E = 2.1 G = 2.1 D _{gr} 0.8	H = 2.9 K = 2.9 D _{gr} 1.4	0.6	2

THIS DRAWING IS A CONTROLLED DOCUMENT. DIMENSIONING AND TOLERANCING PER GPS (ISO STANDARDS)

OWNER: M. Pavlicek 13MAY2013
 CHK: L. Fendrych 17MAY2013
 APVD: P. Straka 17MAY2013

NAME: LOCKING TAB REC. 3.3/8.1
 Flaschsteckhülse 3.3/8.1

SIZE: A1
 CAGE CODE: 00779
 DRAWING NO: 929455

RESTRICTED TO: -
 SCALE: 5:1
 SHEET: 1 OF 1
 REV: A

Customer Drawing