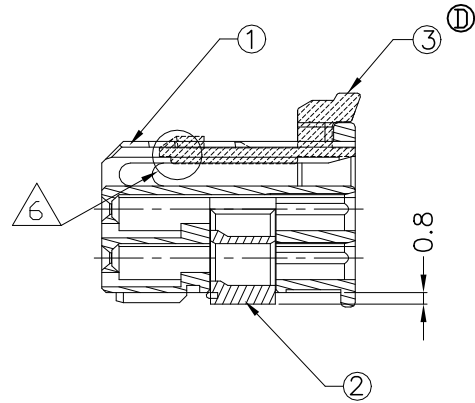
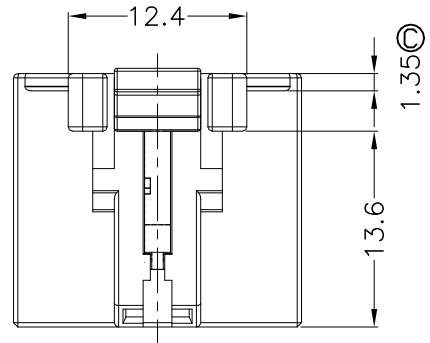
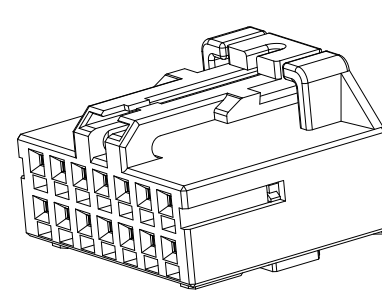


THIS DRAWING IS UNPUBLISHED. RELEASED FOR PUBLICATION
 © COPYRIGHT BY TYCO ELECTRONICS CORPORATION. ALL RIGHTS RESERVED.

LOC	DIST	REVISIONS					
		P	LTR	DESCRIPTION	DATE	DWN	APVD
DS	-			F REVISED (ECR-19-014755)	30,SEP,'19	CI	YJ
				F1 REVISED (ECR-22-150754)	25,AUG,'22	CH	KT

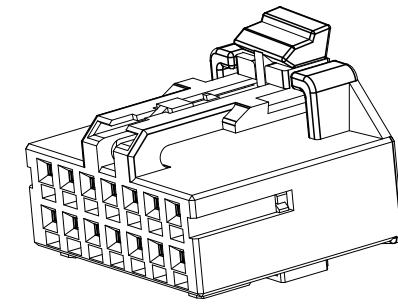


SECTION A-A
(SCALE 2/1)

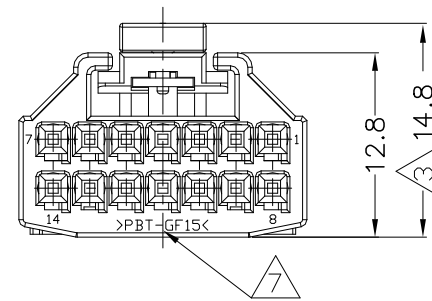
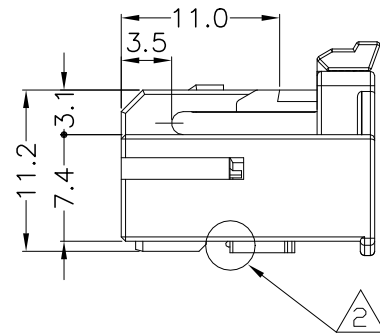
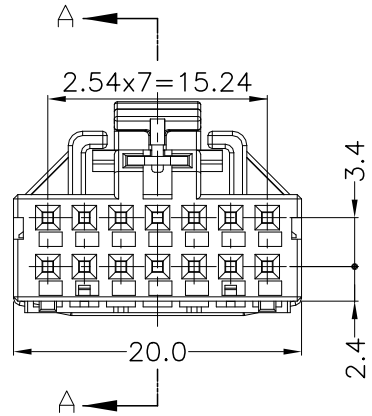


0-936124-1
 0-936124-2
 2-936124-3
 3-936124-4

3D VIEW
(SCALE 2/1)



1-936124-2

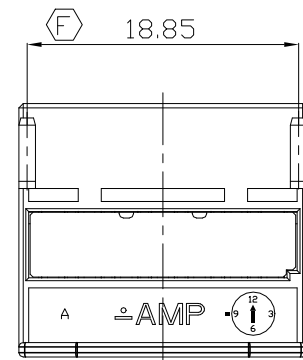
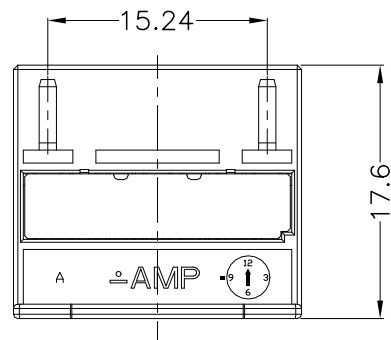


NOTES

- GENERAL TOLERANCE IS ±0.3
 - CONDITION OF DELIVERY : DBL IN 1ST LOCKING POSITION
 - 1-936124-2 ONLY
 - APPLIED CAP ASS'Y P/N: 936126
 - APPLIED RECEPTACLE CONTACT P/N:
- | Part NO. (F) | 5-928999-X | 5-963715-X |
|-----------------------------|------------|------------|
| WIRE SIZE(mm ²) | 0.25~0.5 | 0.75 |
- CONDITION OF DELIVERY : CPA IN 1ST LOCKING POSITION
 - RECYCLE MARK :
 - >PBT-GF15< : 0-936124-1, 0-936124-2
 - >PA66-GF15< : 2-936124-3, 3-936124-4

Part No.	Material	Color	Q'TY
0-936124-1	MQS 14P PLUG ASSY CODE1		
0-936124-2	MQS 14P PLUG ASSY CODE1		
1-936124-2	MQS 14P PLUG ASSY WITH CPA		
2-936124-3	MQS 14P PLUG ASSY CODE1		
3-936124-4	MQS 14P PLUG ASSY CODE2		

NO	DESCRIPTION	MATERIAL	COLOR	Q'TY
7	CPA HSG	PBT-GF20	WHITE	1
6	DBL HSG	PA66-GF15	BLACK	1 1
5	DBL HSG	PBT-GF15	WHITE	1 1 1
4	PLUG HSG CODE2	PA66-GF15	BROWN	1
3	PLUG HSG CODE1	PA66-GF15	DARK GRAY	1
2	PLUG HSG CODE1	PBT-GF15	YELLOW	1 1
1	PLUG HSG CODE1	PBT-GF15	BLACK	1



0-936124-1
 0-936124-2
 1-936124-2
 2-936124-3

3-936124-4

THIS DRAWING IS A CONTROLLED DOCUMENT FOR TYCO ELECTRONICS CORPORATION. IT IS SUBJECT TO CHANGE AND THE CONTROLLING ENGINEERING ORGANIZATION SHOULD BE CONTACTED FOR THE LATEST REVISION.

DWN : JM JEON
 CHK : JW JUNG
 APVD : HG CHD
 PRODUCT SPEC : _____
 APPLICATION SPEC : _____
 WEIGHT : _____

STE TE connectivity

NAME : _____
 SIZE : A3 CAGE CODE : 00779C DRAWING NO : 936124 RESTRICTED TO : _____

DIMENSIONS: mm
 TOLERANCES UNLESS OTHERWISE SPECIFIED:
 0 PLC ±
 1 PLC ±
 2 PLC ±
 3 PLC ±
 4 PLC ±
 ANGLES ±

3rd ANGLE PROJECTION
 MATERIAL : SEE TABLE FINISH : _____

SCALE 2/1 SHEET 1 OF 1 REV F1