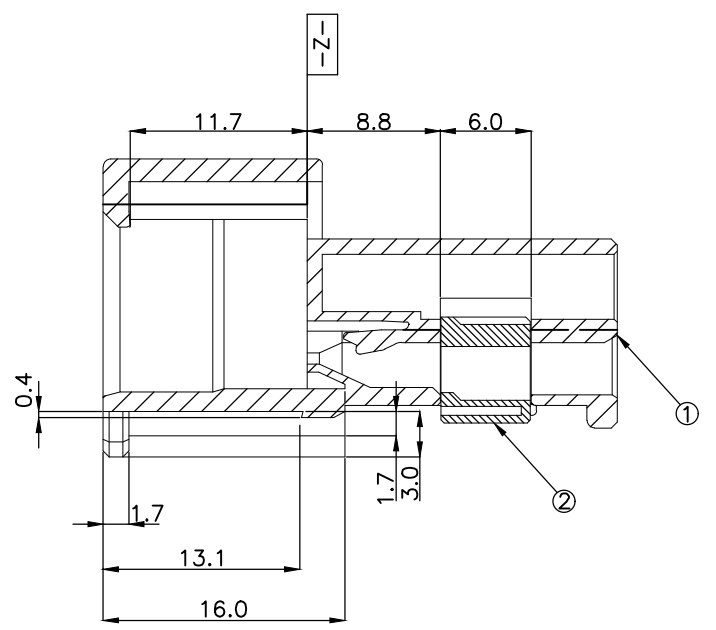
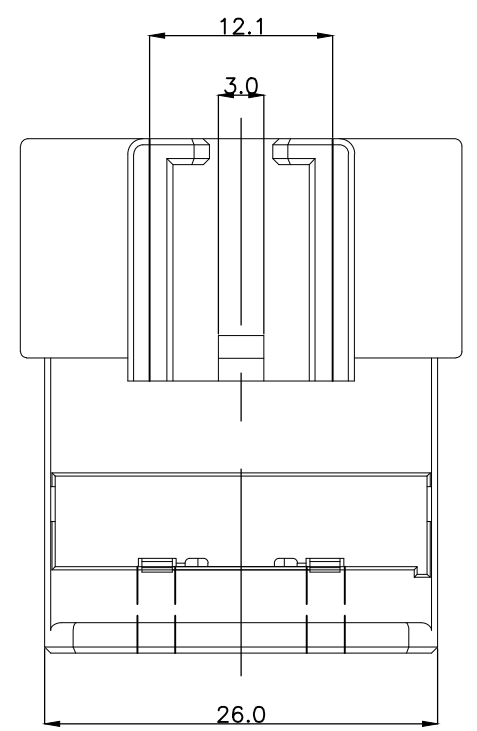
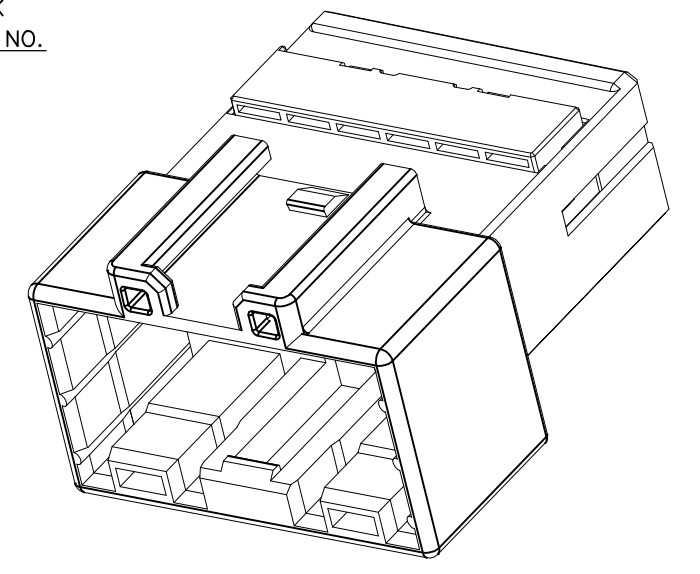
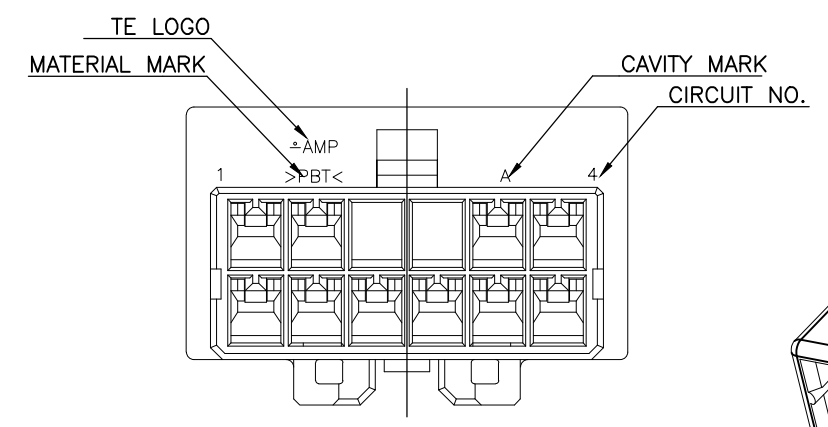
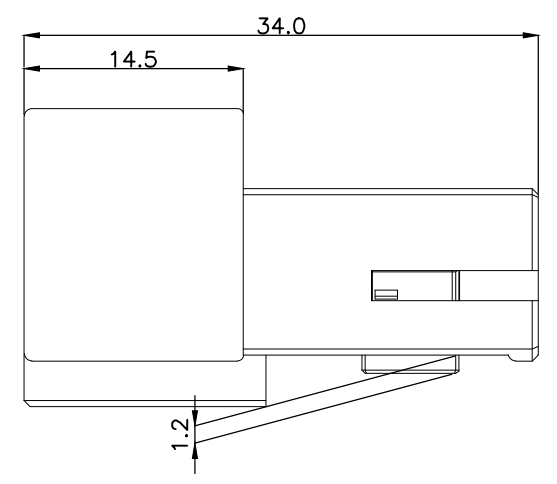
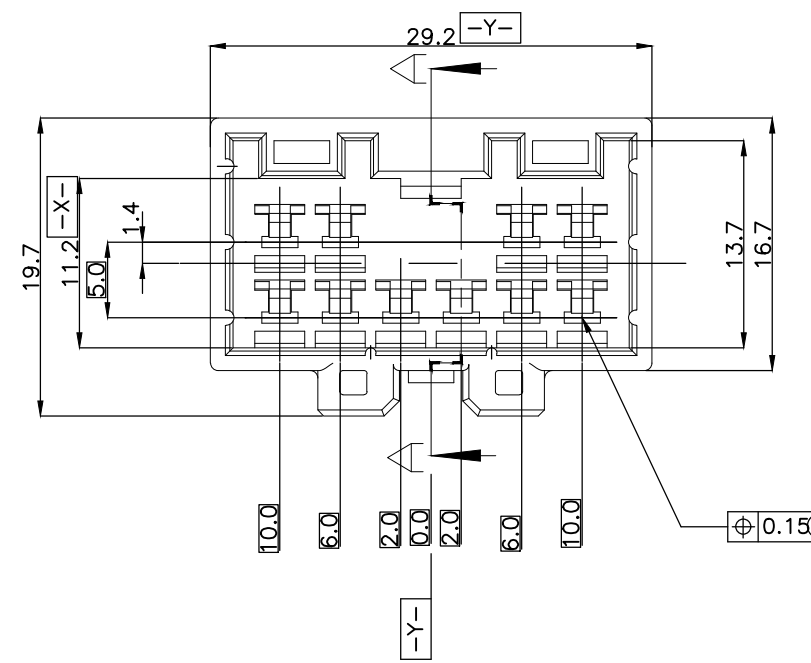


REVISIONS					
P	LTR	DESCRIPTION	DATE	DWN	APVD
	A2	REVISED ECR-20-006447	16JUL2020	VI	SPB



SECTION A-A

- NOTES.
1. THE MATING HSG. P/N ; 936092
 2. APPLIED CONTACT P/N ; 090 II TAB. - 368086, 368087, 368088, 1897752

- 주기-
1. 상대 하우징 P/N. ; 936092
 2. 적용단자 P/N. ; 090 II TAB. - 368086, 368087, 368088, 1897752

ASSY P/N
0-936129-8
0-936129-5
0-936129-4
0-936129-3
0-936129-2
0-936129-1

NO	COLOR	MATERIAL	DESCRIPTION	P/N	QTY
1	BLUE	PBT	CAP	0-936130-8	1
	YELLOW	PBT	CAP	0-936130-5	1
	BROWN	PBT	CAP	0-936130-4	1
	D/GRAY	PBT	CAP	0-936130-3	1
	BLACK	PBT	CAP	0-936130-2	1
	NATURAL	PBT	CAP	0-936130-1	1
2	NATURAL	PBT	DBL	0-936094-1	1 1 1 1 1 1

TOLERANCES UNLESS OTHERWISE SPECIFIED:

0 <XX<10	± 0.2
10<XX<30	± 0.25
30<XX	± 0.3
ANGLES	± 3°

THIS DRAWING IS A CONTROLLED DOCUMENT.

DIMENSIONS:	TOLERANCES UNLESS OTHERWISE SPECIFIED:
mm	0 PLC ± -
	1 PLC ± -
	2 PLC ± -
	3 PLC ± -
	4 PLC ± -
	ANGLES ± -
MATERIAL	FINISH
SEE TABLE	-

DWN	KT JUNG	
CHK	JW JUNG	
APVD	HG CHO	
PRODUCT SPEC		
APPLICATION SPEC		
WEIGHT	0	
CUSTOMER DRAWING		

TE Connectivity

090III 10P CAP ASS'Y

SIZE	CAGE CODE	DRAWING NO	RESTRICTED TO
A3	00779	C-936129	-
SCALE	SHEET	REV	
1:1	1 OF 1	A2	

OBSOLETE