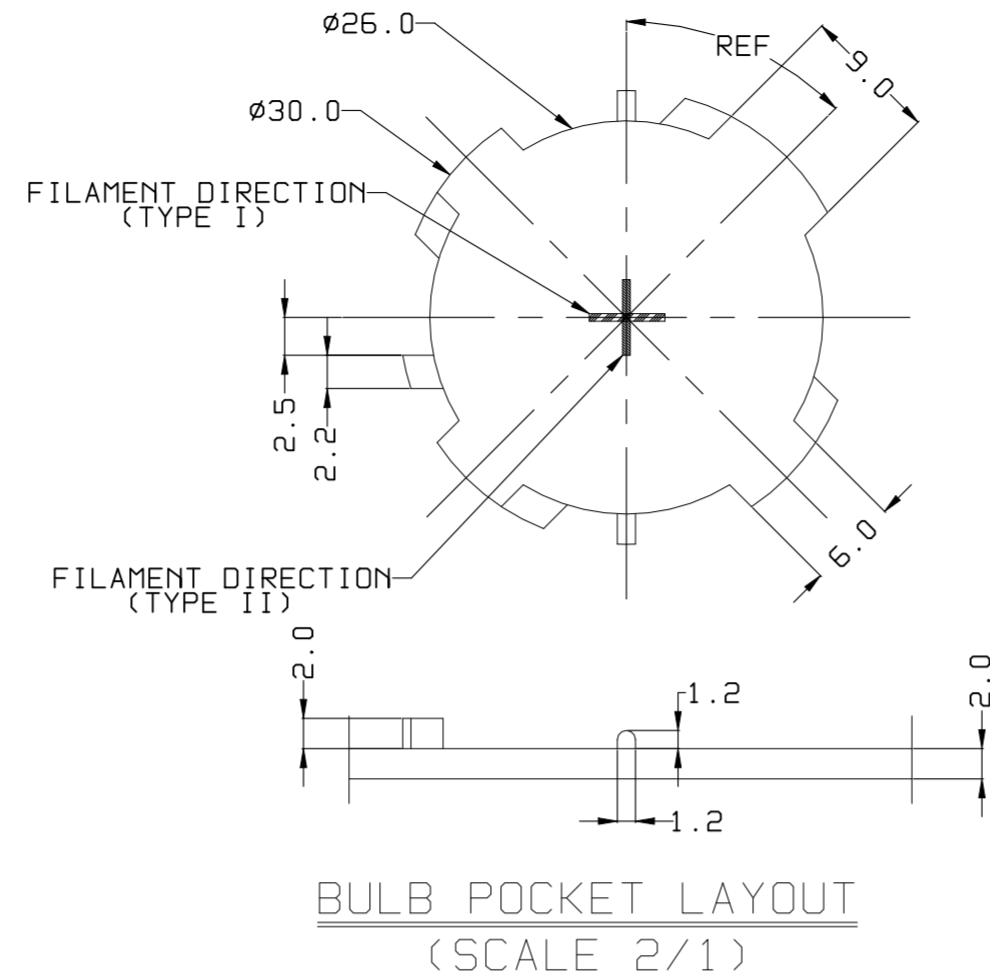
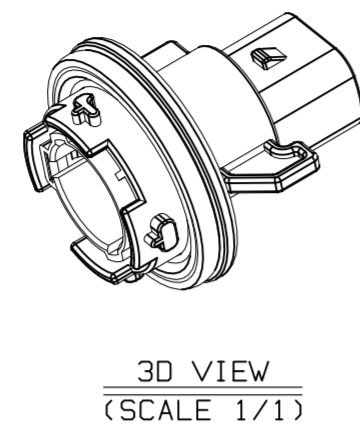
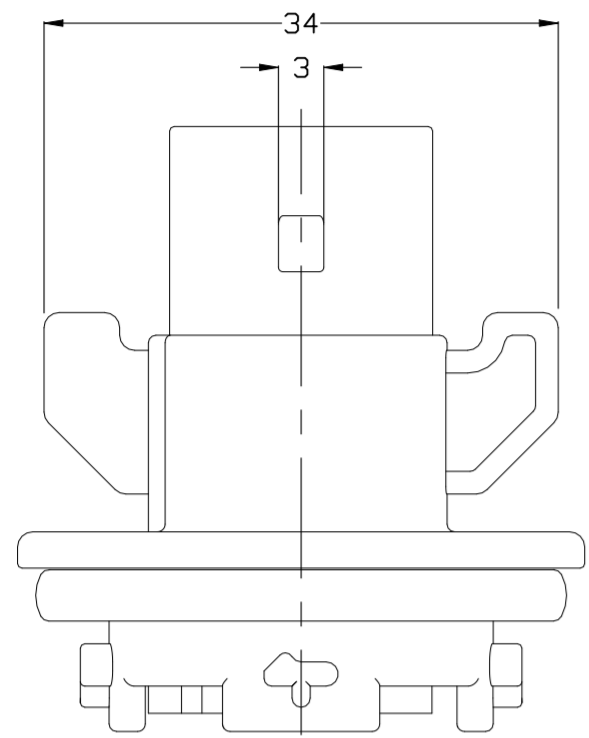
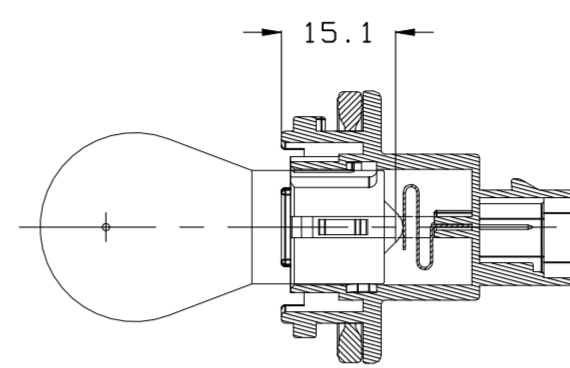


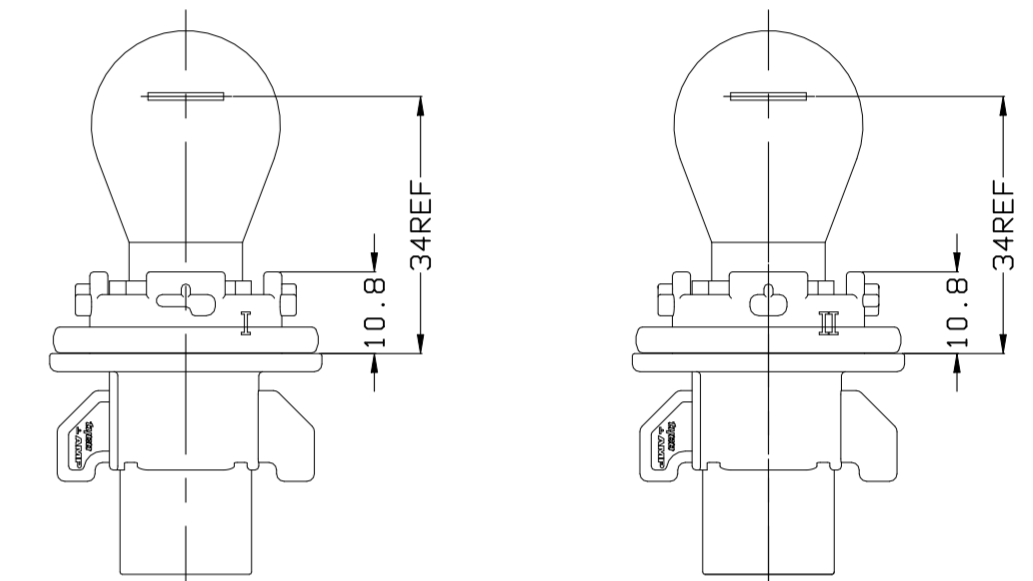
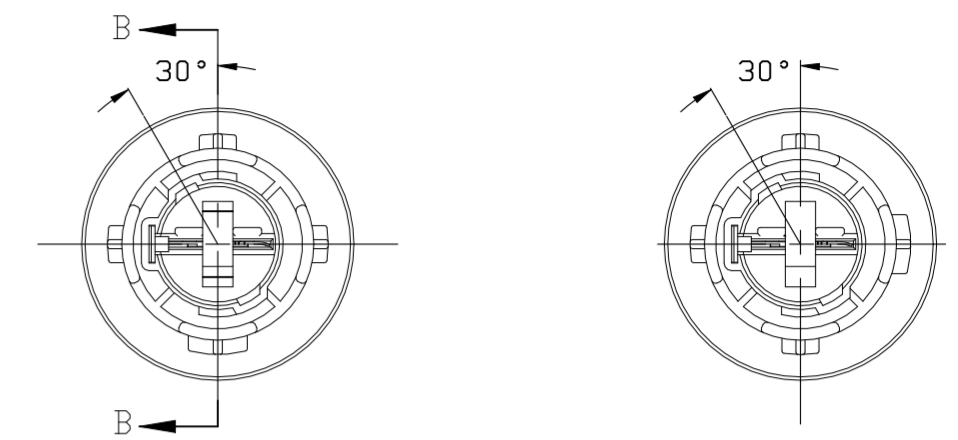
DRAWING VIEW IS 0-936180-1



ASSEMBLY VIEW(WITH BULB)
(SCALE 1/1)

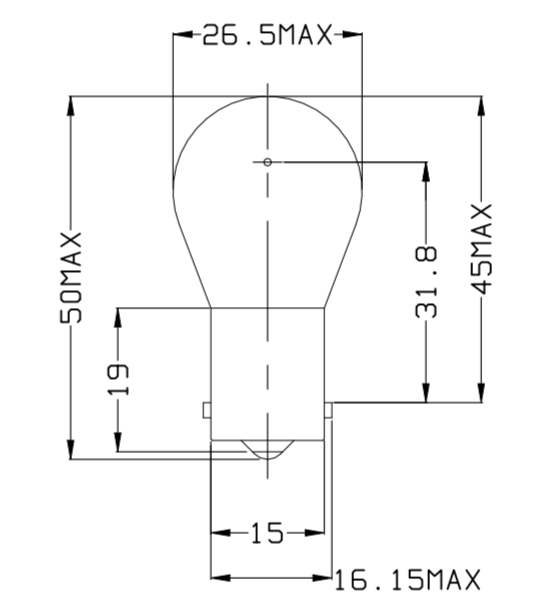
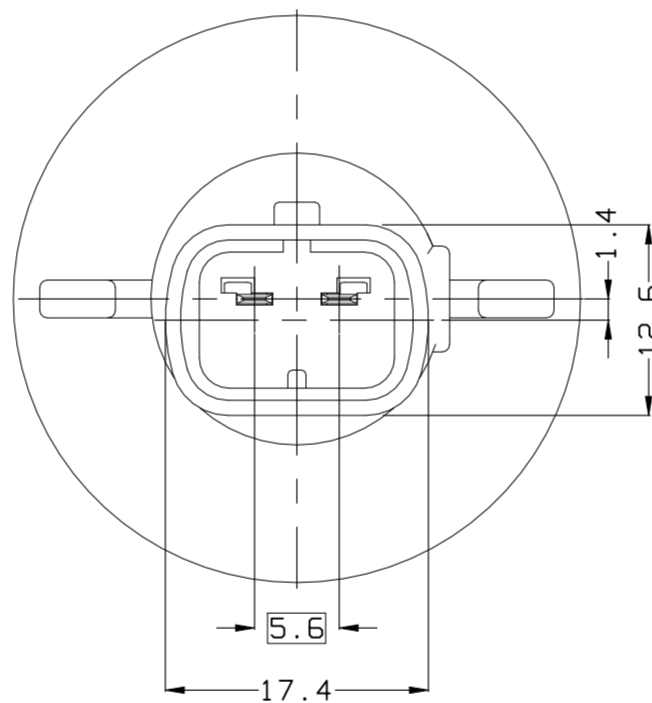
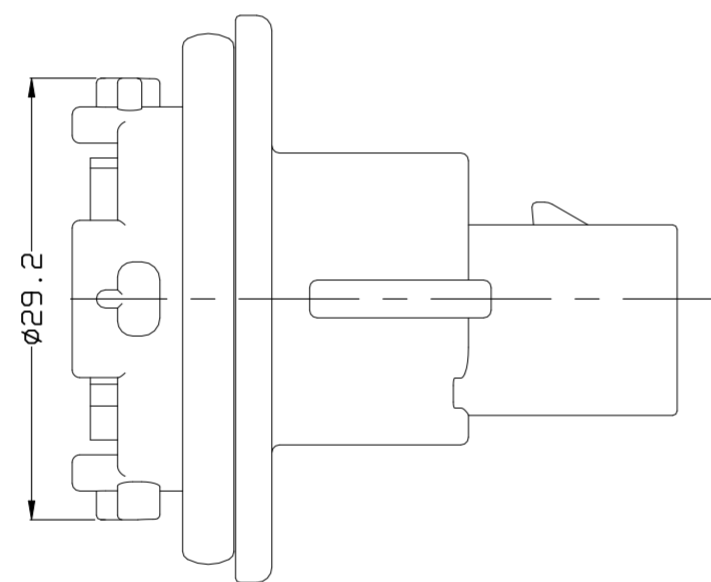
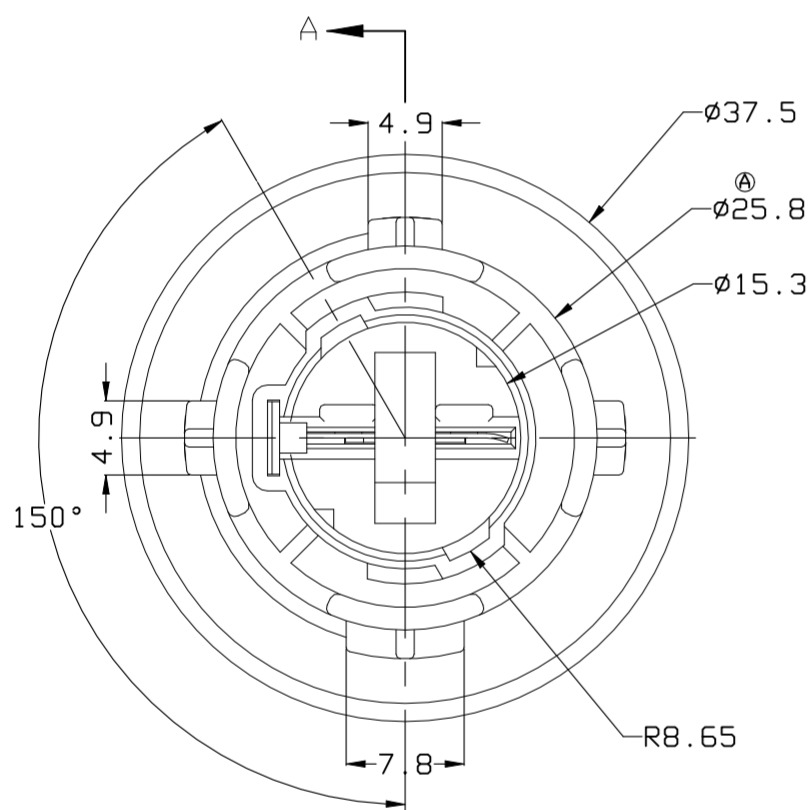


SECTION B-B
(SCALE 1/1)

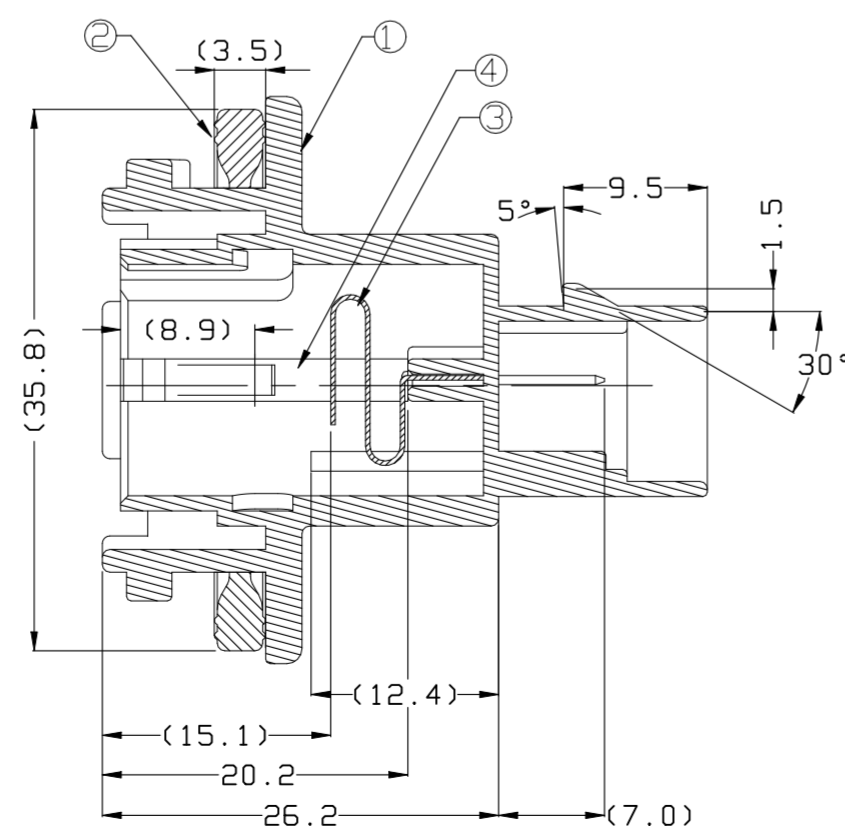
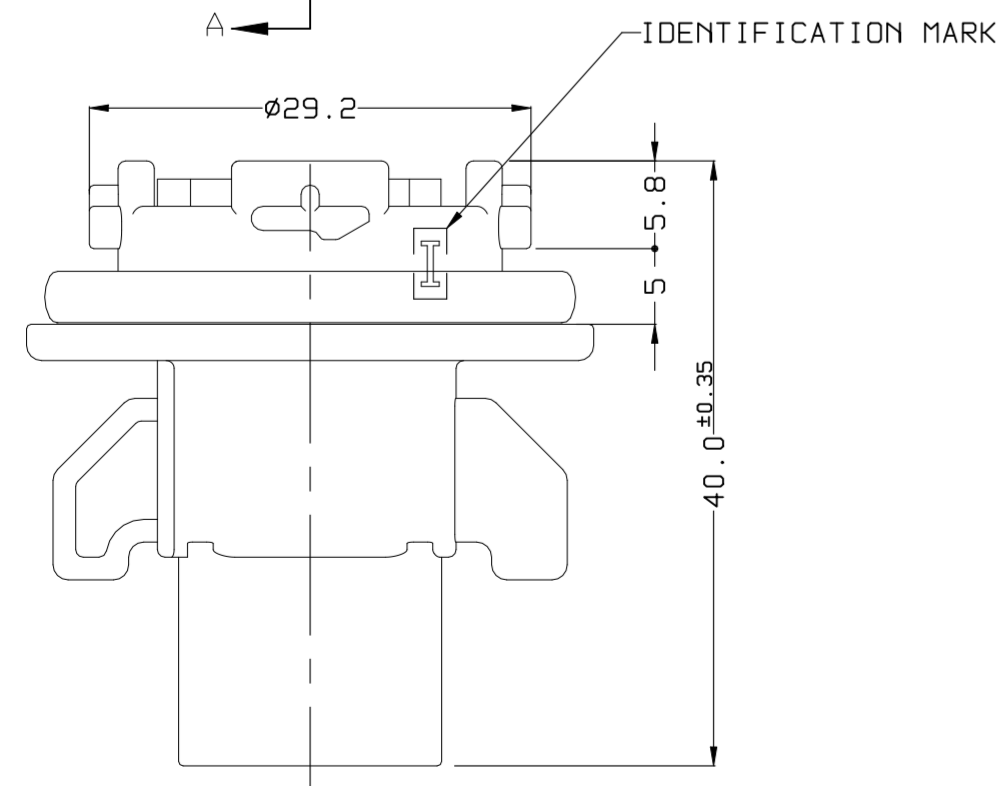


0-936180-1
(TYPE I)

1-936180-1
(TYPE II)



(DRAWING 1.)
(SCALE 1/1)



SECTION A-A
(SCALE 2/1)

TOLERANCES UNLESS OTHERWISE SPECIFIED:

0 <XX<10	± 0.2
10<XX<30	± 0.25
30<XX	± 0.3
ANGLES	± 3°

NOTE ;

1. APPLIED BULB IS AS FOLLOWS: SEE DRAWING 1.
2. 0.15 MAX. WARPAGE AND 0.2 MAX. FLASH ARE PERMISSIBLE
3. SURFACE DEFECTS ARE NOT ACCEPTABLE AS FOLLOWS: SINK, WELD LINES, HAIRCRACKS, STAINS & SCORES
4. APPLIED PLUG ASSEMBLY P/N: 936184

REVISIONS					
P	LTR	DESCRIPTION	DATE	DWN	APVD
A		REVISED(FC00-0007-04)	28/JAN/'04	YD.	CS
B		REVISED(ECR-12-015233)	28/AUG/'12	JM	HG
B1		REVISED PER ECR-23-175897	16MAY2023	RK	JT

REMARK	ASSY P/N	TYPE I	TYPE II	OBSOLETE	OBSOLETE					
					TYPE I	TYPE II	TYPE I	TYPE II		
4	EARTH TML	936813-1	CuNiSi Alloy	-	1	1	1	1	1	1
3	BULB SOCKET TML	936812-1	CuNiSi Alloy	-	1	1	1	1	1	1
2	O RING	936817-1	SILICONE(LSR)	GRAY(RAL 7004)	1	1	1	1	1	1
1	CAP HSG(TYPE I)	1-936181-4	PBT	BROWN(RAL 8003)						1
1	CAP HSG(TYPE II)	1-936181-3	PBT	GRAY(RAL 7036)						1
1	CAP HSG(TYPE I)	1-936181-2	PBT	BLACK(RAL 9011)						1
1	CAP HSG(TYPE II)	1-936181-1	PBT	IVORY(RAL 1015)						1
1	CAP HSG(TYPE I)	0-936181-4	PBT	BROWN(RAL 8003)						1
1	CAP HSG(TYPE I)	0-936181-3	PBT	GRAY(RAL 7036)						1
1	CAP HSG(TYPE I)	0-936181-2	PBT	BLACK(RAL 9011)						1
1	CAP HSG(TYPE I)	0-936181-1	PBT	IVORY(RAL 1015)						1

THIS DRAWING IS A CONTROLLED DOCUMENT.		DWN	JM. JEON
DIMENSIONS: mm		CHK	JW. JUNG
TOLERANCES UNLESS OTHERWISE SPECIFIED:		APVD	HG. CHO
0 PLC ± -		PRODUCT SPEC	
1 PLC ± -		APPLICATION SPEC	
2 PLC ± -		WEIGHT	-
3 PLC ± -		CUSTOMER DRAWING	
4 PLC ± -		SCALE	1:1
ANGLES ± -		SHEET	1 of 1
MATERIAL		FINISH	-
TOLERANCES UNLESS OTHERWISE SPECIFIED:		REV	B1
0 <XX<10 ± 0.2			
10<XX<30 ± 0.25			
30<XX ± 0.3			
ANGLES ± 3°			

TE TE Connectivity		BULB HOLDER 2P CAP ASS'Y FOR CLEAR BULB	
SIZE	A2	CAGE CODE	00779
DRAWING NO	C=936180		RESTRICTED TO
SCALE	1:1	SHEET	1 of 1
REV	B1		