

4

3

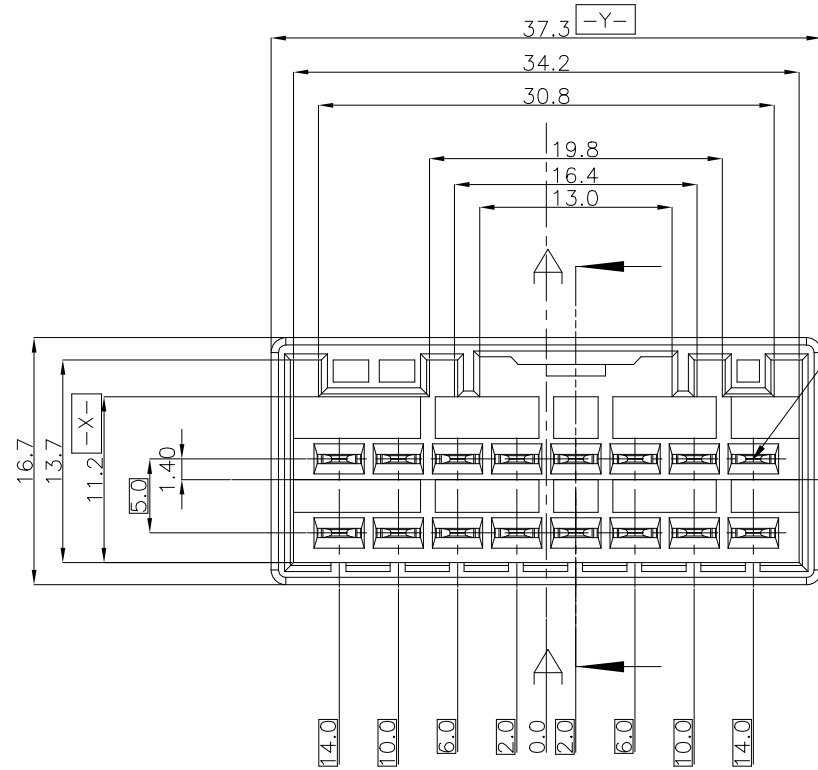
2

1

THIS DRAWING IS UNPUBLISHED. RELEASED FOR PUBLICATION .19

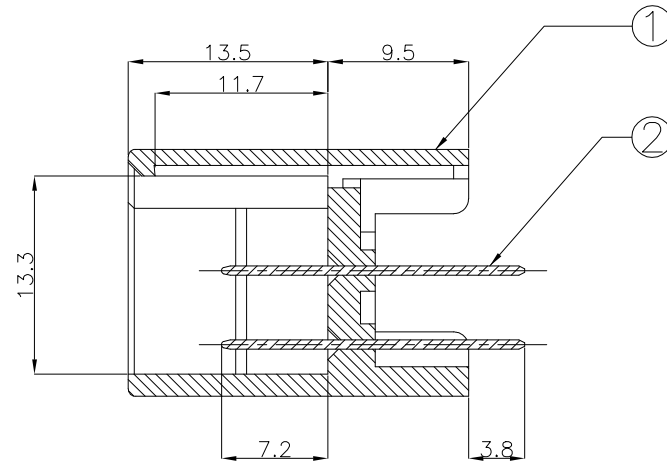
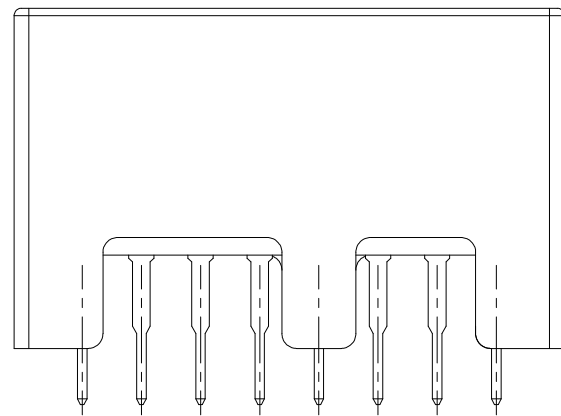
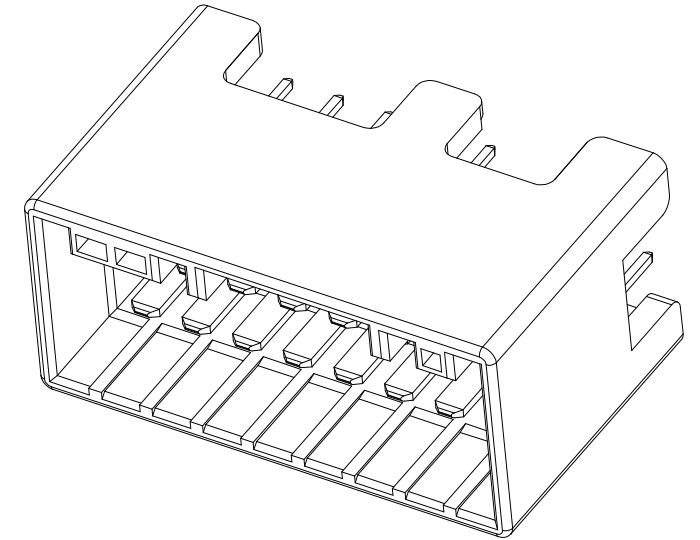
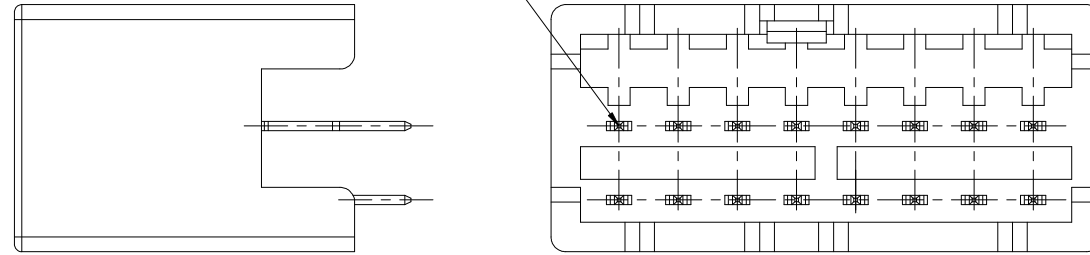
© COPYRIGHT 19 BY AMP INCORPORATED. ALL RIGHTS RESERVED.

LOC	DIST	REVISIONS					
		P	LTR	DESCRIPTION	DATE	DWN	APVD
DS			A	REVISED(FC00-0053-03)	08/APR/'03	HS	CS
			B	REVISED(ECR-10-024199)	24/NOV/'10	WY	HG
		B2	B1	REVISED(ECR-06-022957)	06/APR/'11	WY	HG
		B2	B2	REVISED(ECR-11-007129)	05/SEP/'18	EW	YJ



⊕ 0.3 X Y

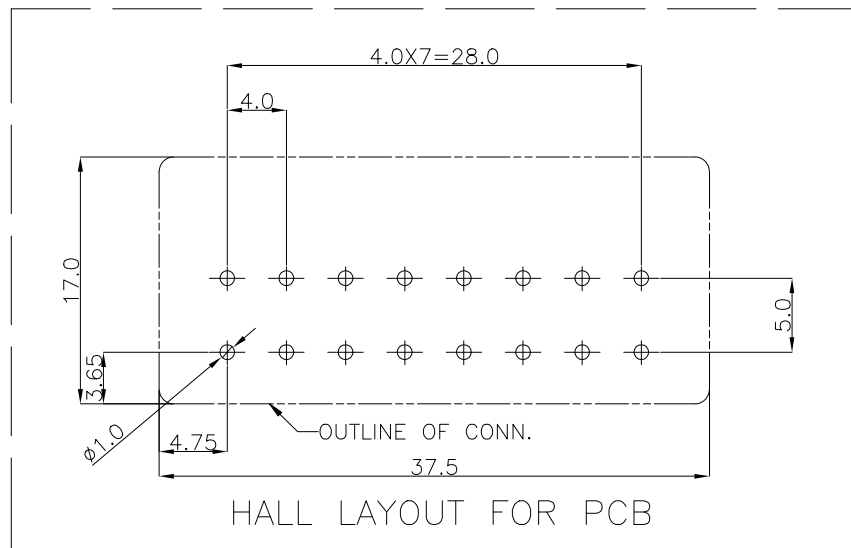
⊕ 0.3 X Y



SECTION A-A

NOTE

- 1. TAB RETENTION FORCE 2.0Kg(MIN).
- 2. WARPAGE IS 0.5 MAX.
- 3. MATING PLUG HSG P/N : 936201



NAME	P/N	COLOR	MATERIAL	QTY	REMARK
① CAP	0-936278-1	NATURAL	PBT	1	
① CAP	0-936278-2	BLACK	PBT	1	
② TAB	0-936279-1	-	BRASS	1616	

THIS DRAWING IS A CONTROLLED DOCUMENT FOR AMP INCORPORATED. IT IS SUBJECT TO CHANGE AND THE CONTROLLING ENGINEERING ORGANIZATION SHOULD BE CONTACTED FOR THE LATEST REVISION.		DWN WY JANG			
DIMENSIONS: MM		CHK KT LIM			
TOLERANCES UNLESS OTHERWISE SPECIFIED: 0 <XX<10 ± 0.2 10<XX<30 ± 0.25 30<XX ± 0.3 ANGLES ± 3°		APVD HG CHO	NAME 090 16P CAP ASS'Y (V-TYPE)		
3rd ANGLE PROJECTION		PRODUCT SPEC -----	SIZE A3	CAGE CODE 00779	DRAWING NO 936277
MATERIAL SEE TABLE		APPLICATION SPEC -----	WEIGHT -----	SCALE 2/1 SHEET 1 OF 1 REV B2	