

4

3

2

1

THIS DRAWING IS UNPUBLISHED. RELEASED FOR PUBLICATION
© COPYRIGHT BY TYCO ELECTRONICS CORPORATION, ALL RIGHTS RESERVED.

LOC		DIST		REVISIONS			
DS	-	P	LTR	DESCRIPTION	DATE	DWN	APVD
		A		REVISED (ECR-10-020545)	03/DEC/10	SJ	HG

D

C

B

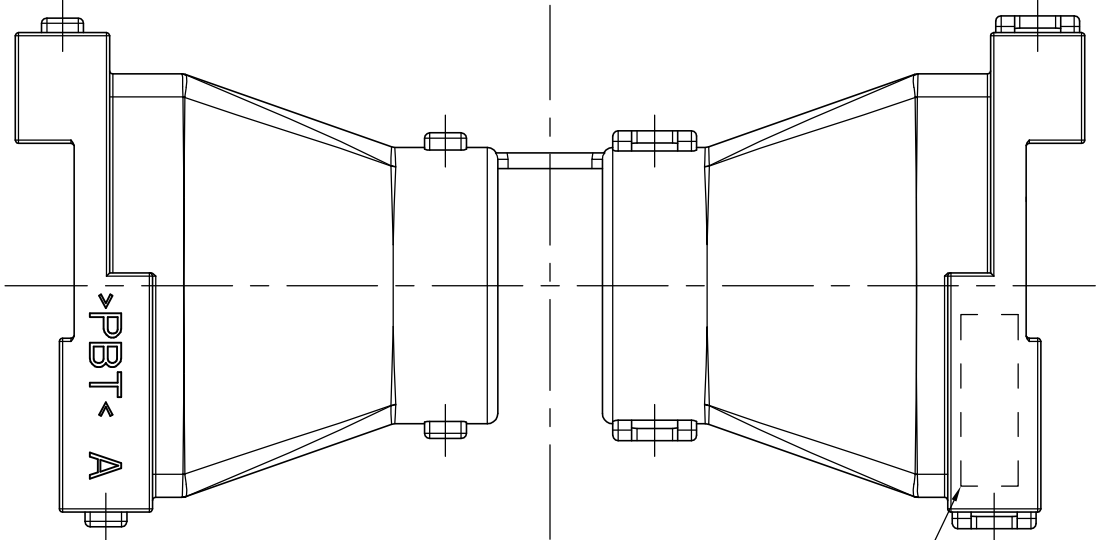
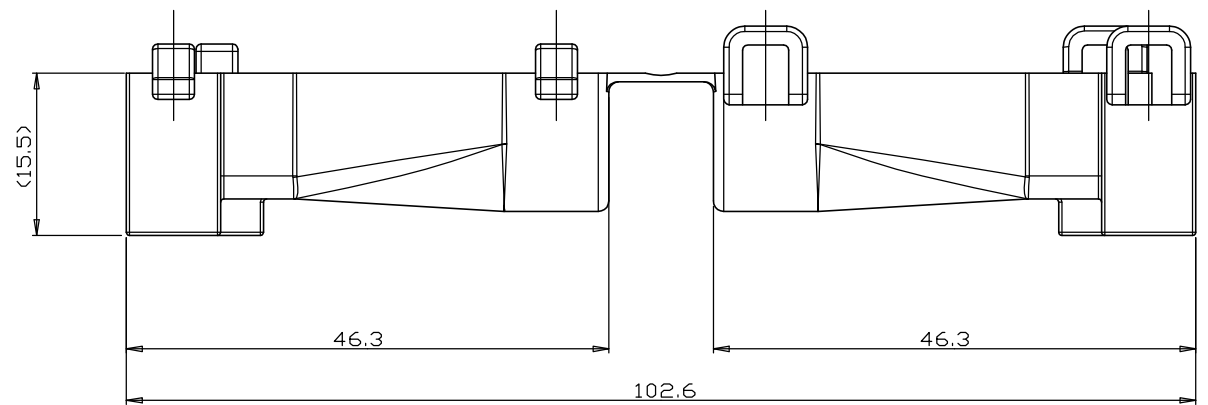
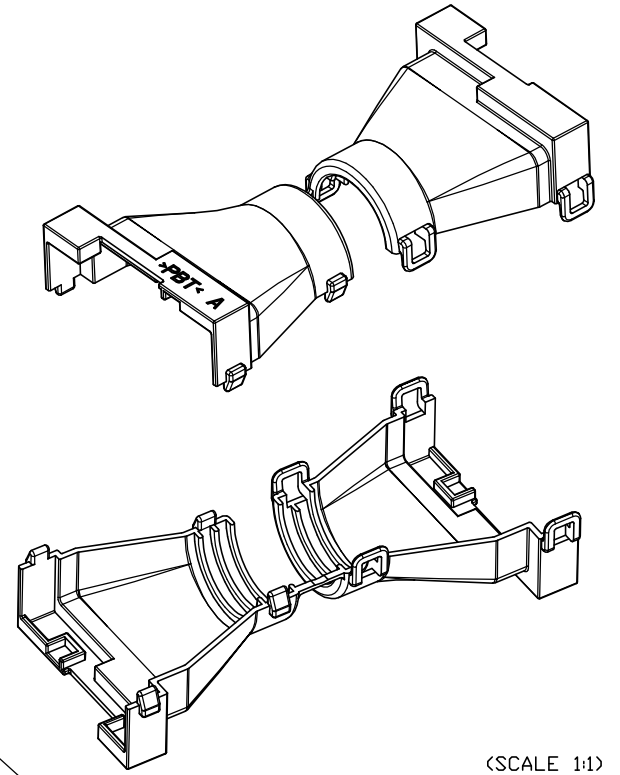
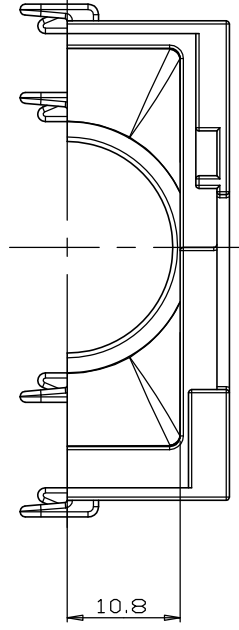
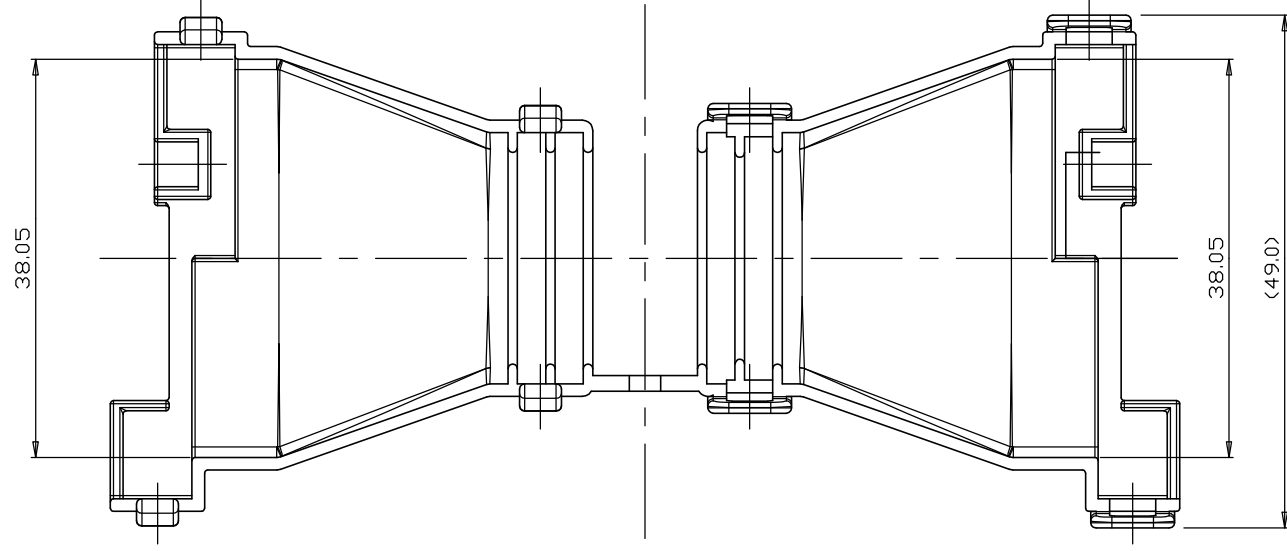
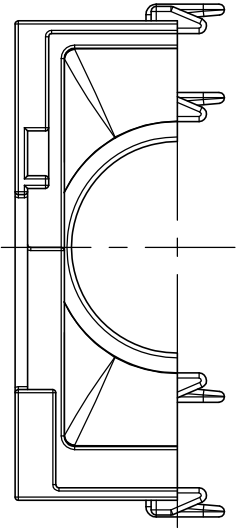
A

D

C

B

A



- NOTES:
1. ALL RADII ARE 0.2 EXCEPT AS INDICATED
 2. APPLIED CONNECTOR ASS'Y P/N : X-936429-X
 3. APPLIED CORRUGATE TUBE : Ø19.0

BLACK	PBT(TRIBIT 1503B) P/N : 2-704773-5	COVER HSG FOR 42P CAP	0-936614-2
COLOR	MATERIAL	DESCRIPTION	PART NO.

THIS DRAWING IS A CONTROLLED DOCUMENT FOR TYCO ELECTRONICS CORPORATION IT IS SUBJECT TO CHANGE AND THE CONTROLLING ENGINEERING ORGANIZATION SHOULD BE CONTACTED FOR THE LATEST REVISION.		DWN : SJ CHOI	Tyco Electronics kyungsan, korea	
DIMENSIONS: mm		CHK : JW JUNG		
TOLERANCES UNLESS OTHERWISE SPECIFIED: 0 <XX<10 ± 0.2 10<XX<30 ± 0.25 30<XX ± 0.3 ANGLES ± 3°		APVD : HG CHO	NAME COVER HOUSING FOR MTII/.090/JPT HYBRID 42P CAP ASSEMBLY CONNECTOR	
3rd ANGLE PROJECTION		PRODUCT SPEC	SIZE CAGE CODE DRAWING NO RESTRICTED TO	
MATERIAL		APPLICATION SPEC	A200779C= 936614	
SEE NOTES		WEIGHT	SCALE 2/1 SHEET 1 OF 1 REV A	