

4

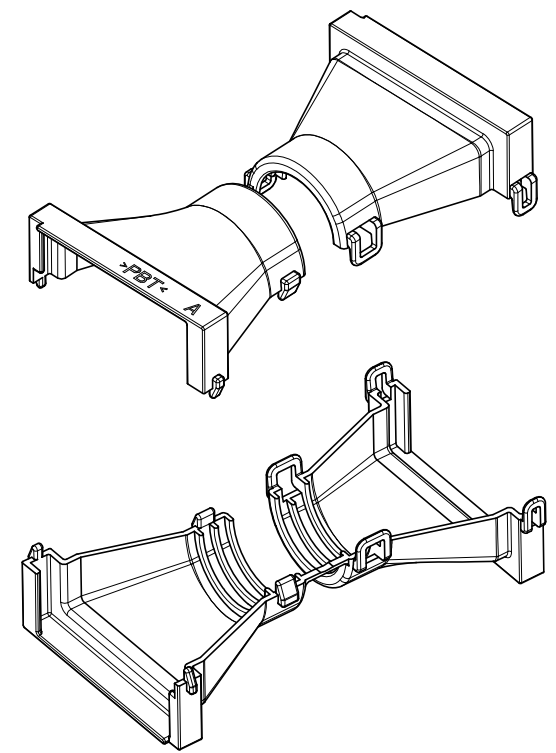
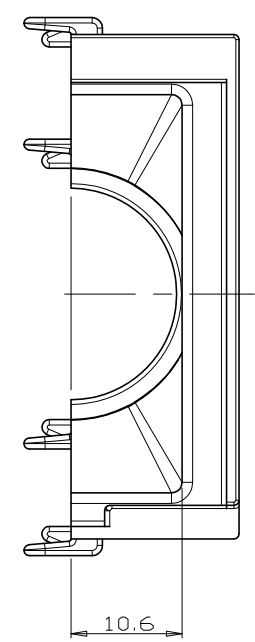
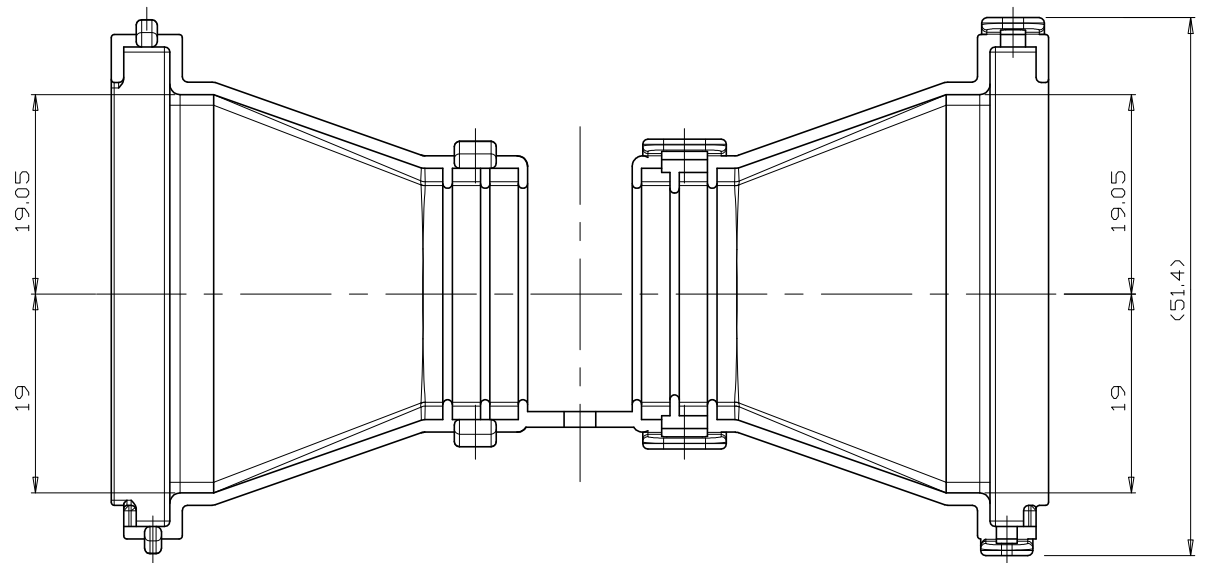
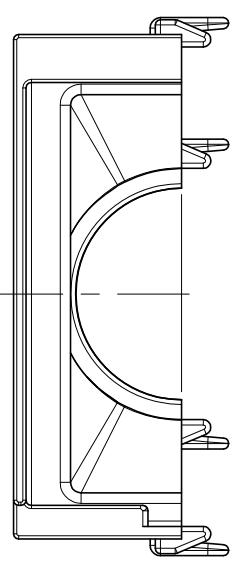
3

2

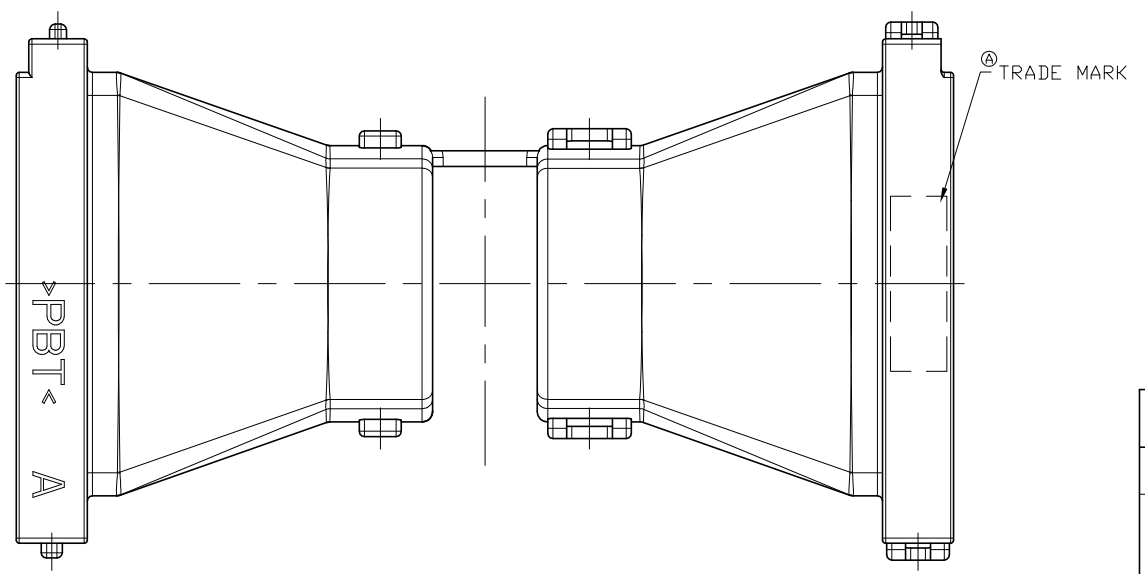
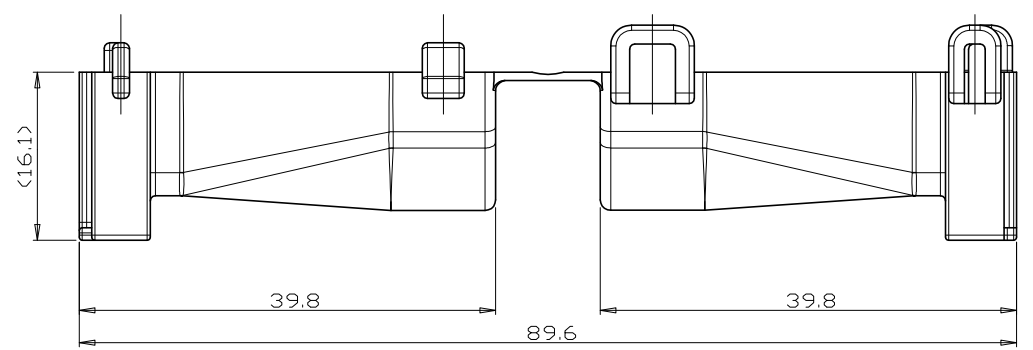
1

THIS DRAWING IS UNPUBLISHED. RELEASED FOR PUBLICATION
© COPYRIGHT BY TYCO ELECTRONICS CORPORATION. ALL RIGHTS RESERVED.

LOC		DIST		REVISIONS			
DS	—	P	LTR	DESCRIPTION	DATE	DWN	APVD
		A		REVISED (ECR-10-026443)	29/DEC/10	SJ	HG



(SCALE 1:1)



- NOTES:
1. ALL RADII ARE 0.3 EXCEPT AS INDICATED
 2. APPLIED CONNECTOR ASS'Y P/N : X-936421-X
 3. APPLIED CORRUGATE TUBE : Ø19.0

BLACK	PBT(TRIBIT 1503 B) P/N : 2-704773-5	COVER HSG FOR 42P PLUG	0-936615-2
COLOR	MATERIAL	DESCRIPTION	PART NO.

<small>THIS DRAWING IS A CONTROLLED DOCUMENT FOR TYCO ELECTRONICS CORPORATION IT IS SUBJECT TO CHANGE AND THE CONTROLLING ENGINEERING ORGANIZATION SHOULD BE CONTACTED FOR THE LATEST REVISION.</small>		DWN : SJ CHOI CHK : JW JUNG APVD : HG CHO PRODUCT SPEC APPLICATION SPEC WEIGHT			
DIMENSIONS: mm 		TOLERANCES UNLESS OTHERWISE SPECIFIED: 0 <XX<10 ± 0.2 10<XX<30 ± 0.25 30<XX ± 0.3 ANGLES ± 3°		NAME COVER HOUSING FOR MTII/.090/JPT HYBRID 42P PLUG ASSEMBLY CONNECTOR	
MATERIAL SEE TABLE		FINISH		SIZE CAGE CODE DRAWING NO A200779 C= 936615	
				RESTRICTED TO SCALE 2/1 SHEET 1 OF 1 REV A	