

THIS DRAWING IS UNPUBLISHED.

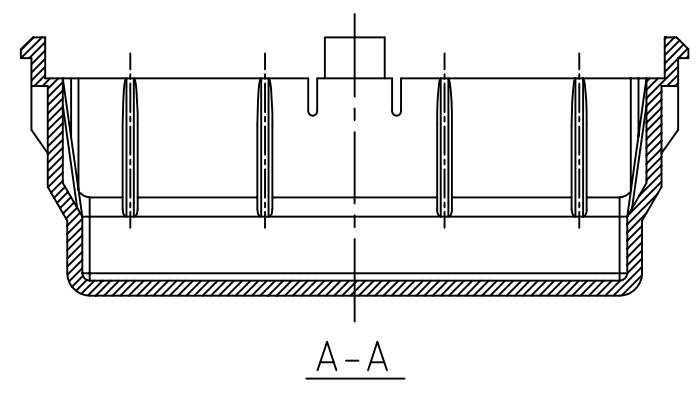
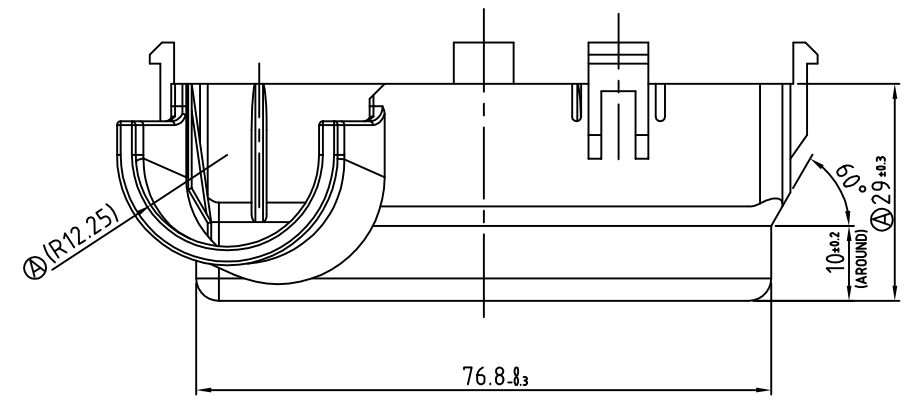
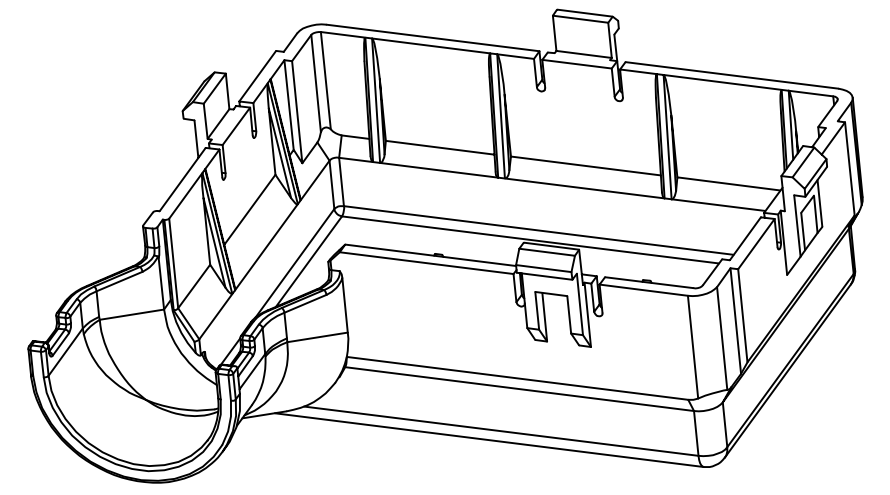
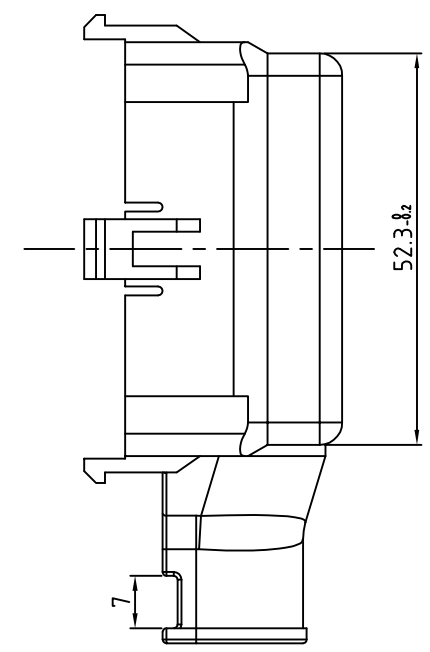
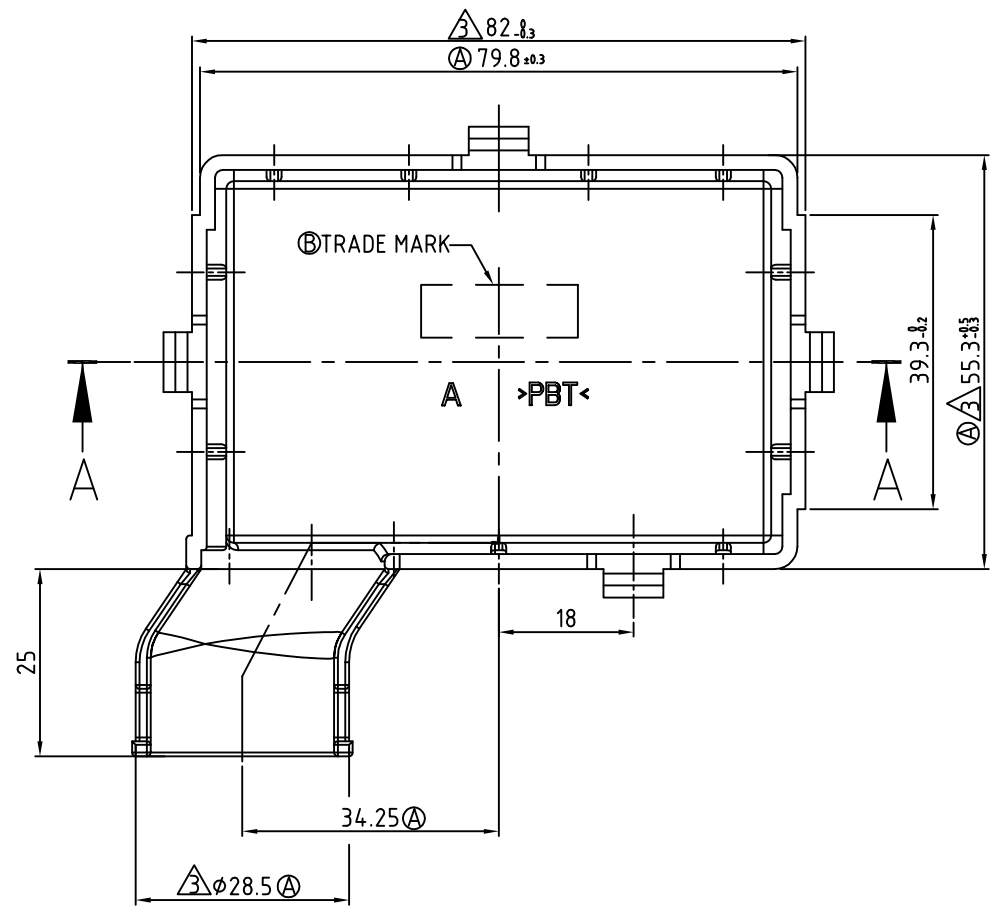
RELEASED FOR PUBLICATION

© COPYRIGHT

ALL RIGHTS RESERVED.

REVISIONS

P	LTR	DESCRIPTION	DATE	DWN	APVD
0		RELEASED (FC00-0091-04)	08/MAY/04	JY	HG
A		REVISED (ECR-05-002803)	06/MAY/05	YH	CS
B		REVISED (ECR-10-024514)	30/NOV/10	JY	HG



NOTE:
 1. GENERAL TOLERANCE IS ±0.3, ±3°
 2. MATING PLUG ASS'Y P/N : 0-936731-2
 3. ALLOWED PINCHING : 1.0 MAX.

P/N	MATERIAL	COLOR
936734-2	PBT	BLACK

THIS DRAWING IS A CONTROLLED DOCUMENT.

DWN : JY PARK

CHK : KT LIM

APVD : HG CHO

PRODUCT SPEC

APPLICATION SPEC

WEIGHT



NAME
 96 POS WIRE COVER HSG

SIZE	CAGE CODE	DRAWING NO	RESTRICTED TO
A3	00779	936734	

DIMENSIONS:	TOLERANCES UNLESS OTHERWISE SPECIFIED:
mm	
<p>3rd ANGLE PROJECTION</p>	0 PLC ±
	1 PLC ±
	2 PLC ±
	3 PLC ±
	4 PLC ±
MATERIAL	FINISH

FINISH
SEE NOTE

CUSTOMER DRAWING SCALE 1/1 SHEET 1 OF 1 REV B