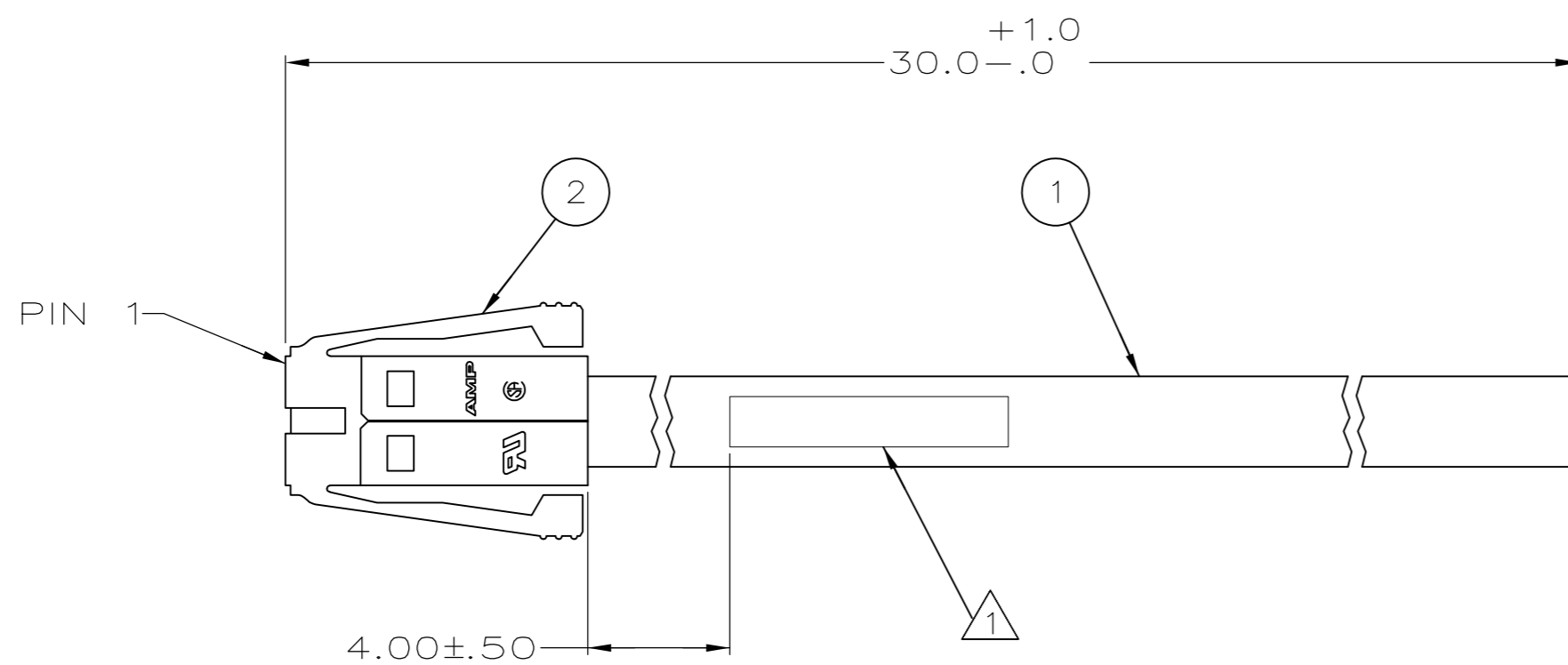
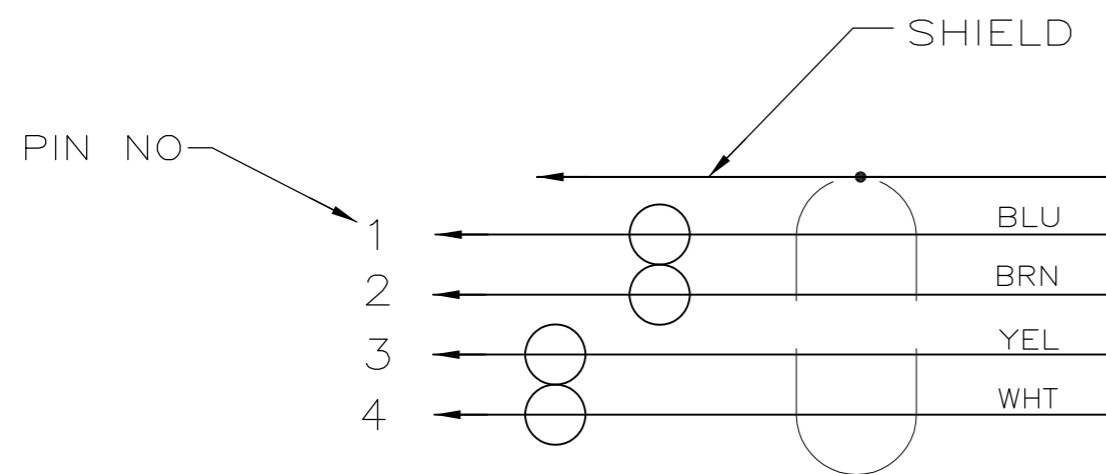


THIS DRAWING IS UNPUBLISHED. RELEASED FOR PUBLICATION
 © COPYRIGHT - By - ALL RIGHTS RESERVED.

LOC		DIST		REVISIONS			
P	LTR	DESCRIPTION		DATE	DWN	APVD	
GP	00	E		REVISED PER ECR-11-023044	11/NOV/11	ECC DK	



- ① MARKED PER 115-1120-1.
- ② OBSOLETE PART NUMBER.



CABLE SCHEMATIC

1	1	PC	PLUG ASSY	2
31.0	31.0	IN	CABLE	1
-2	-1	U/M	DESCRIPTION	ITEM

THIS DRAWING IS A CONTROLLED DOCUMENT.		DWN	HAMNER	11-21-96		TE Connectivity					
DIMENSIONS: INCHES		CHK	F.McCORKEL	11-26-96		CABLE ASSY, 4 CONDUCTOR, FLAT TWISTED PAIR CABLE, #28AWG, STYLE C, SDL					
TOLERANCES UNLESS OTHERWISE SPECIFIED:		APVD	F.McCORKEL	11-26-96		SIZE	CAGE CODE	DRAWING NO			
0 PLC ± - 1 PLC ± - 2 PLC ± - 3 PLC ± - 4 PLC ± - ANGLES ± -		PRODUCT SPEC	-			A2	00779	C=943086			
MATERIAL		FINISH	-		WEIGHT	-					
-		-		CUSTOMER DRAWING		SCALE	2/1	SHEET	1 of 1	REV	E