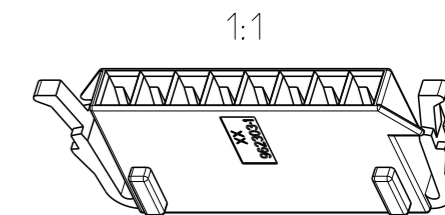
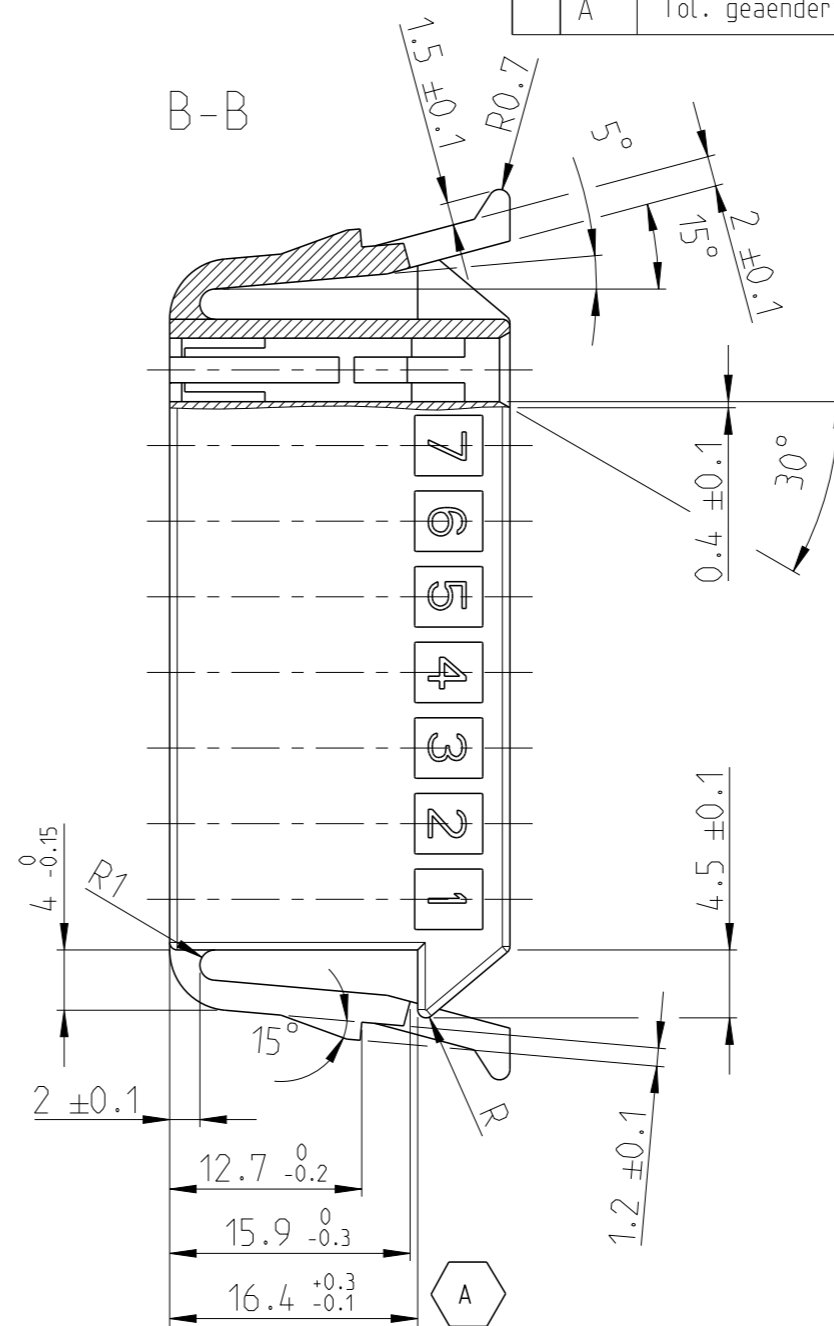
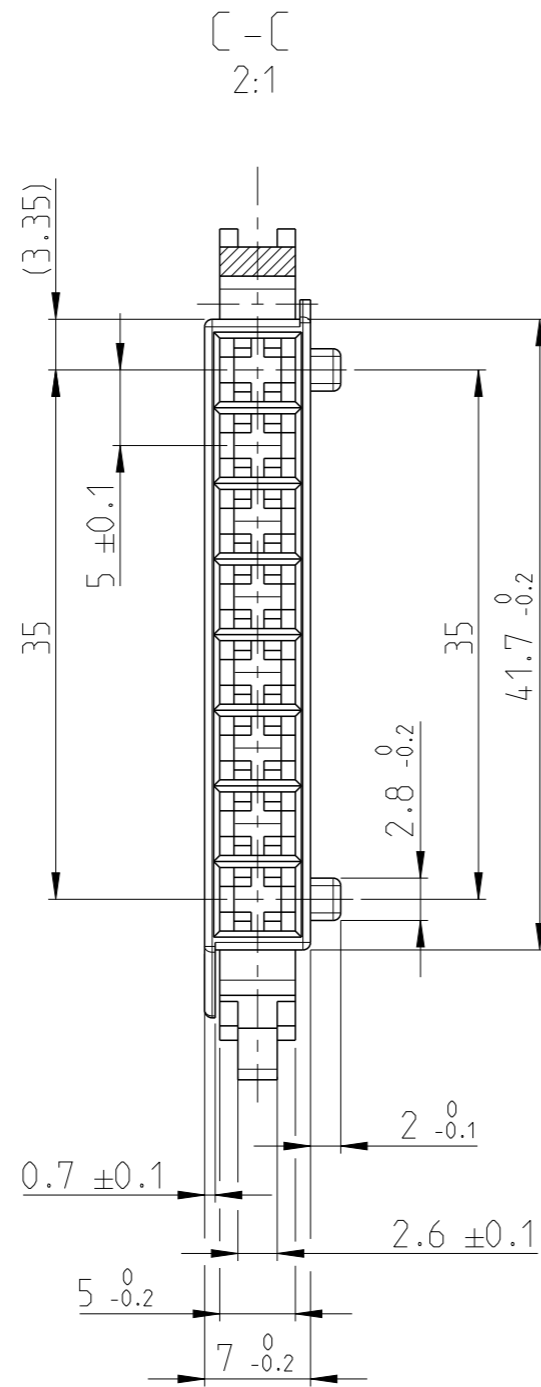
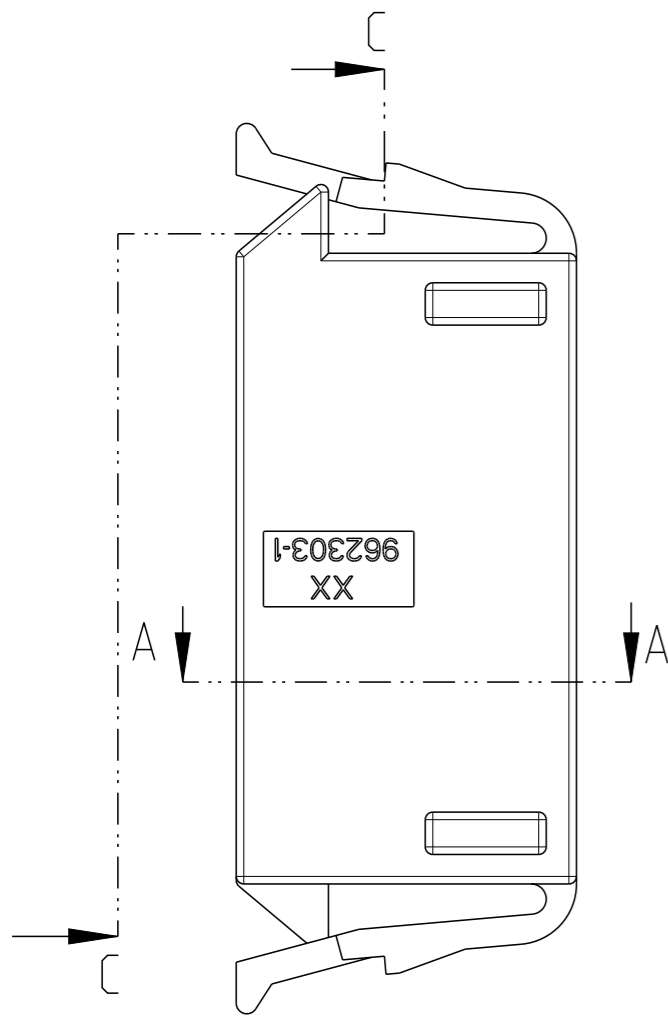
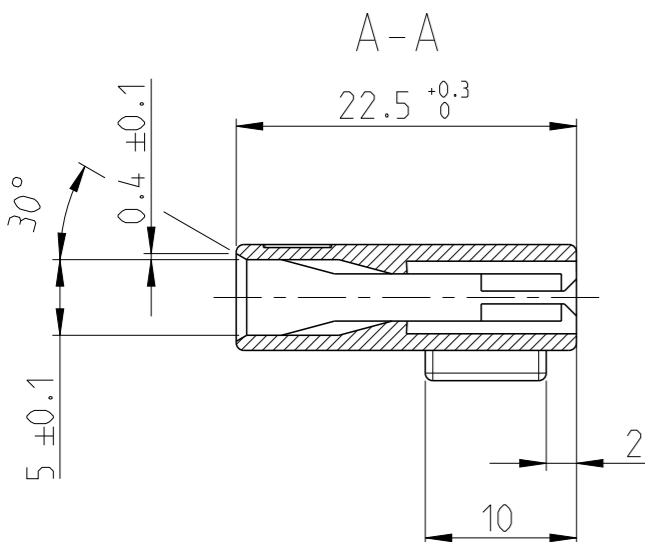


P	LTR	DESCRIPTION	DATE	DWN	APVD
1		Anpassung an Werkzeug Kodierung	18JUN1989	KIRS.	-
2		Blatt 2 von 2 hinzu	05AUG1991	Krull	-
3		Blatt 1 von 1, war 1 von 2	02FEB1994	Kres.	
A		Tol. geaendert von +0.3 auf +0.3/-0.1	23JUN2016	MAH.	KRAU.



Nicht bemessene Radien R0.5mm  
NON DIMENSIONED RADII R0.5MM



962303-1	8 pol. Geh. f. JPT-Kontakt	schwarz	PA 6.6
TE PN	NAME	COLOR	MATERIAL

THIS DRAWING IS A CONTROLLED DOCUMENT.		DWN Kirsch 05JUL1989												
DIMENSIONS: mm		CHK Muenck 100CT1989												
TOLERANCES UNLESS OTHERWISE SPECIFIED: ±0.2mm		APVD -												
<table border="1"> <tr> <td>0 PLC</td> <td>±</td> </tr> <tr> <td>1 PLC</td> <td>±</td> </tr> <tr> <td>2 PLC</td> <td>±</td> </tr> <tr> <td>3 PLC</td> <td>±</td> </tr> <tr> <td>4 PLC</td> <td>±</td> </tr> <tr> <td>ANGLES</td> <td>±2°</td> </tr> </table>		0 PLC			±	1 PLC	±	2 PLC	±	3 PLC	±	4 PLC	±	ANGLES
0 PLC	±													
1 PLC	±													
2 PLC	±													
3 PLC	±													
4 PLC	±													
ANGLES	±2°													
MATERIAL SEE LIST		FINISH -	NAME 8 poliges Gehaeuse fuer JUNIOR-POWER-TIMER-KONTAKT											
		WEIGHT -	SIZE A3	CAGE CODE 00779										
		CUSTOMER DRAWING	DRAWING NO C-962303	RESTRICTED TO -										
		SCALE 2:1	SHEET 1 OF 1	REV A										