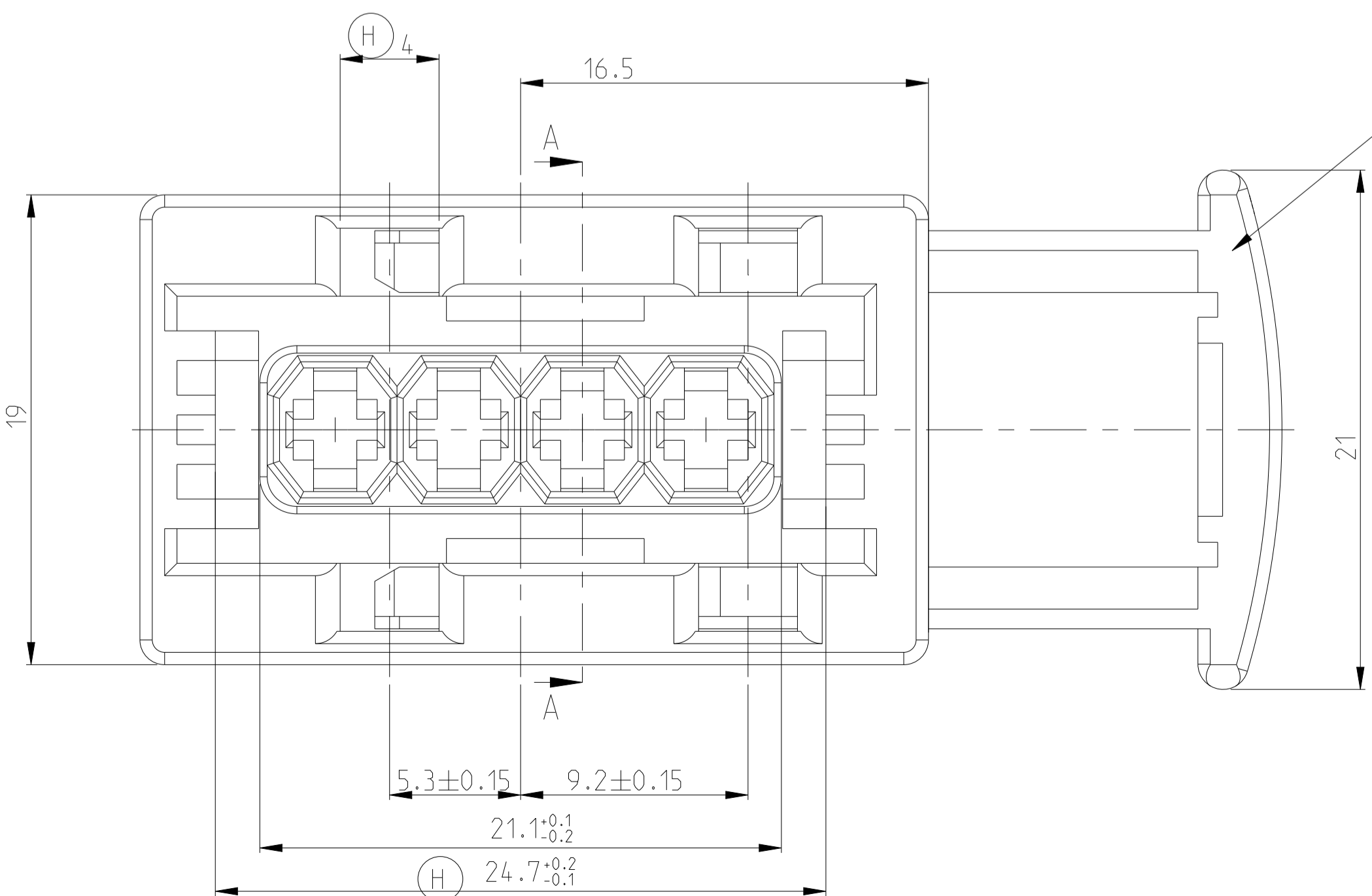
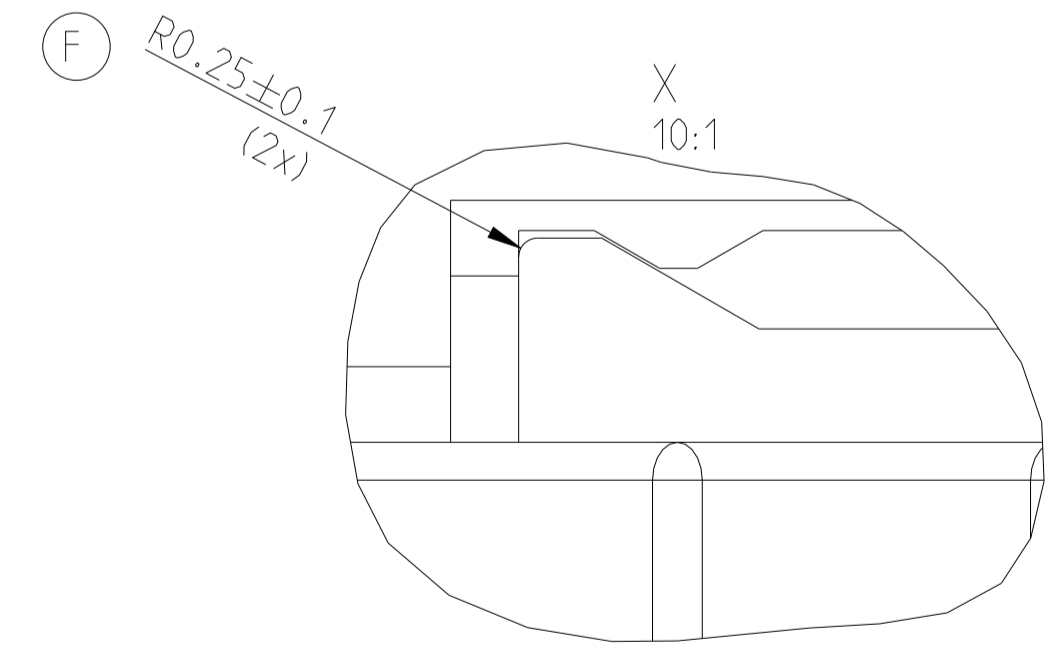
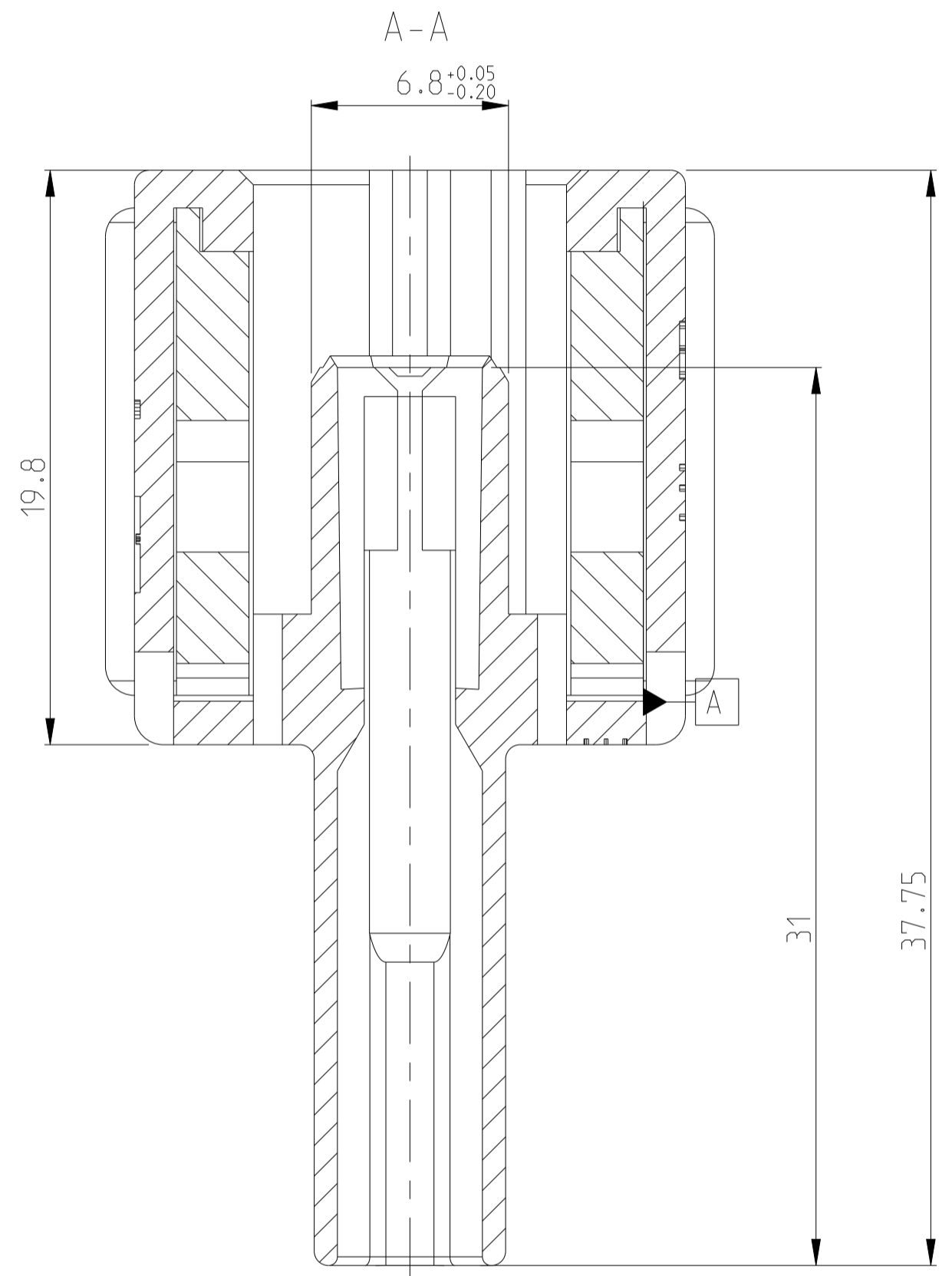
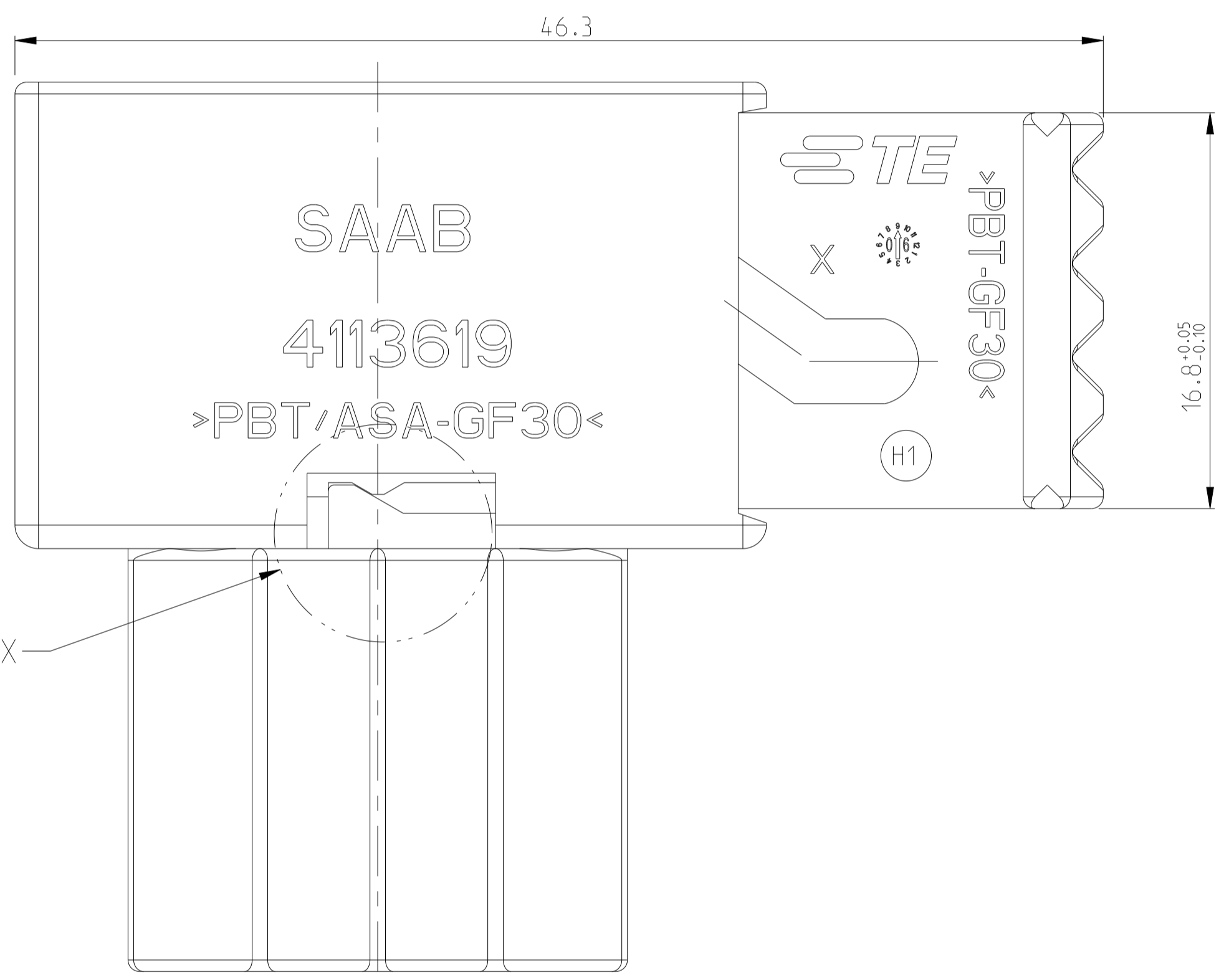
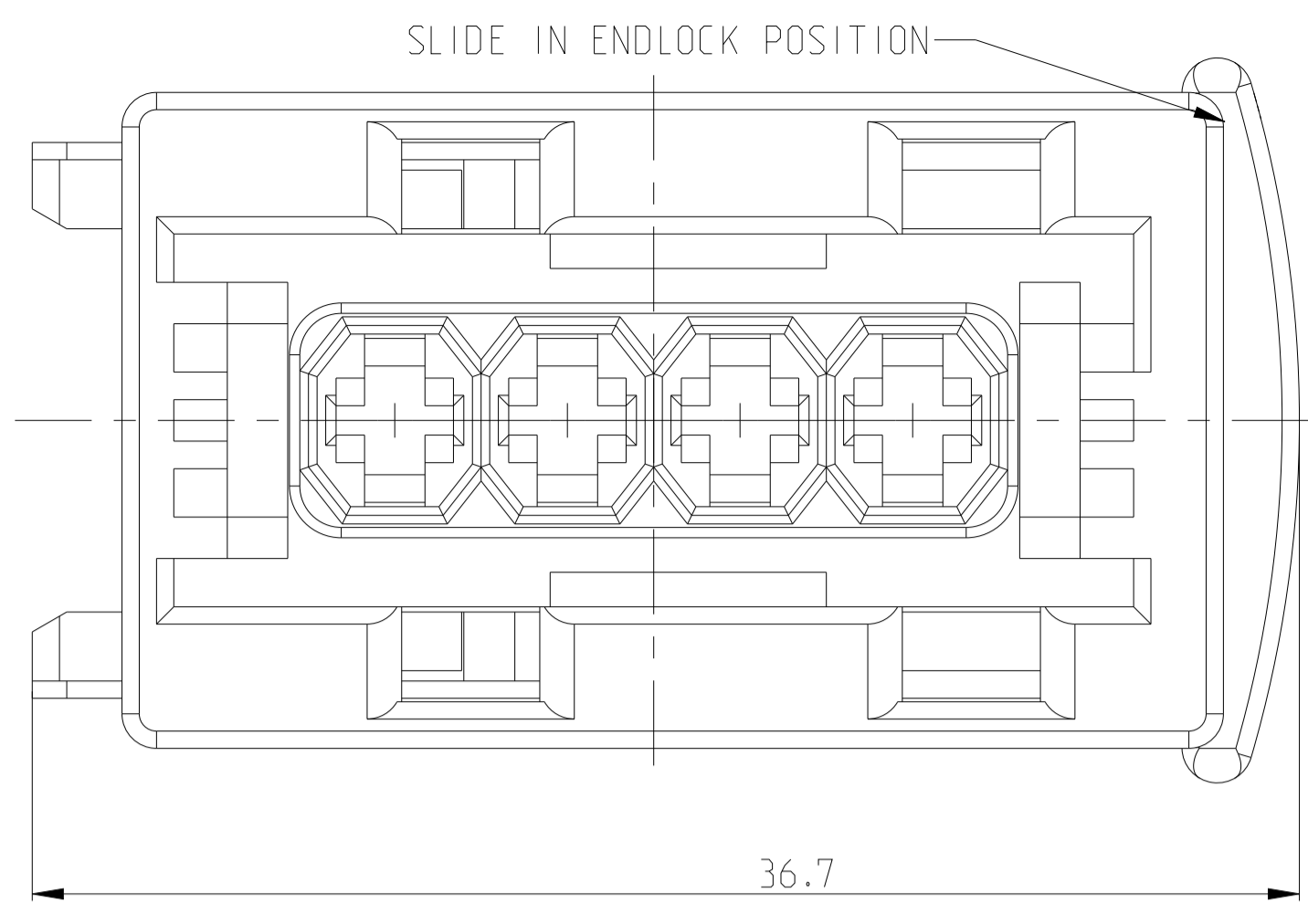
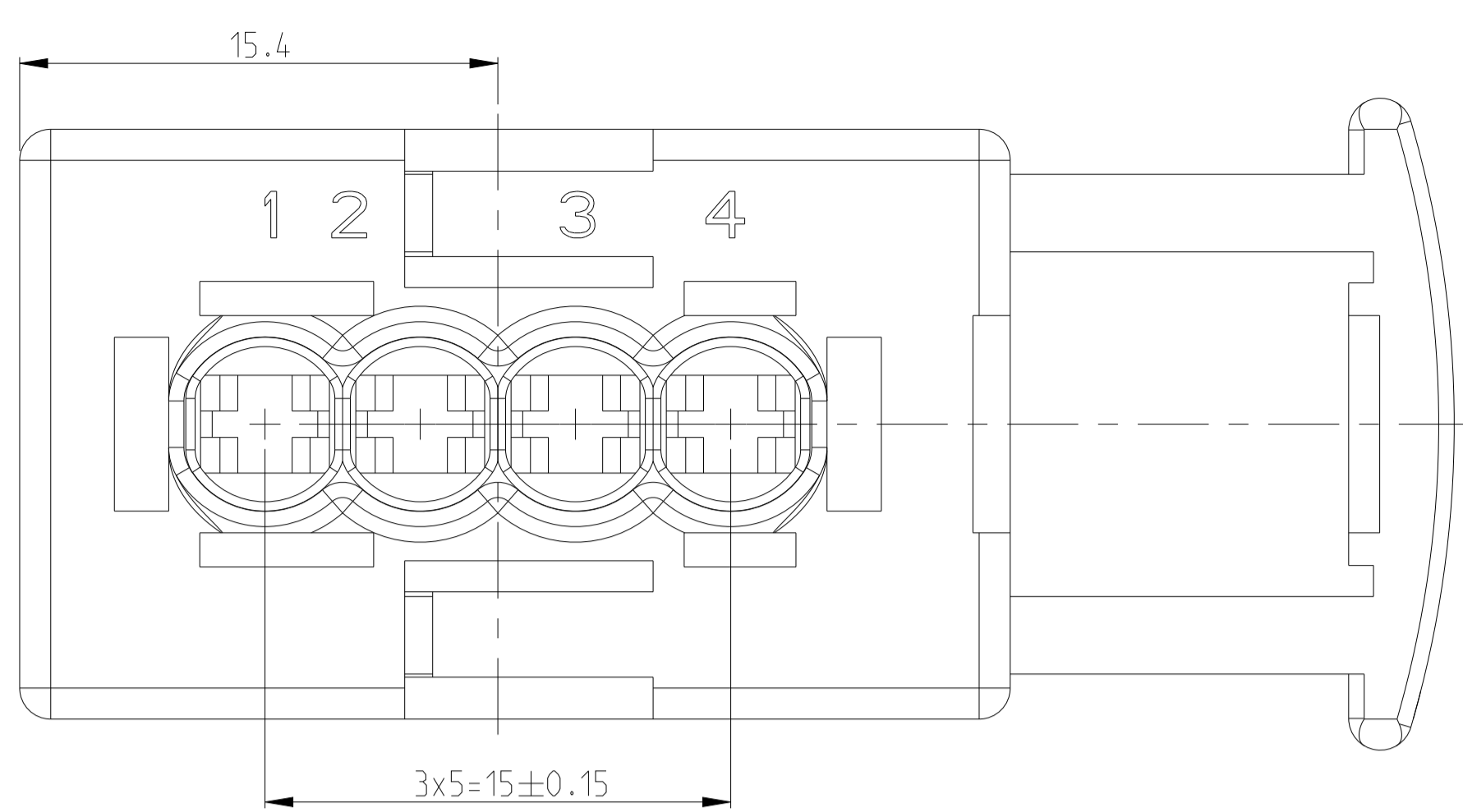
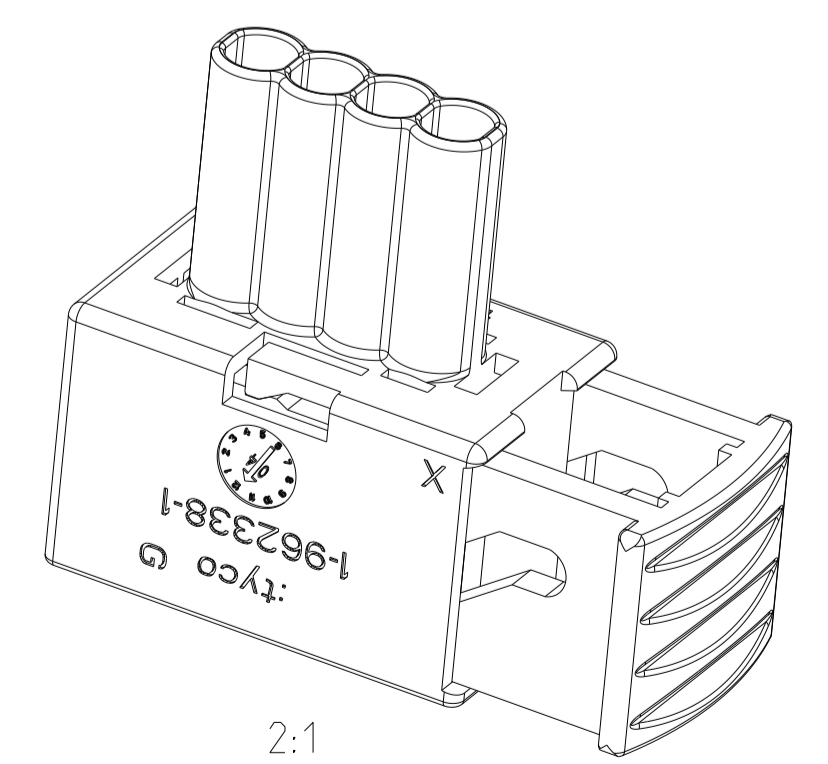
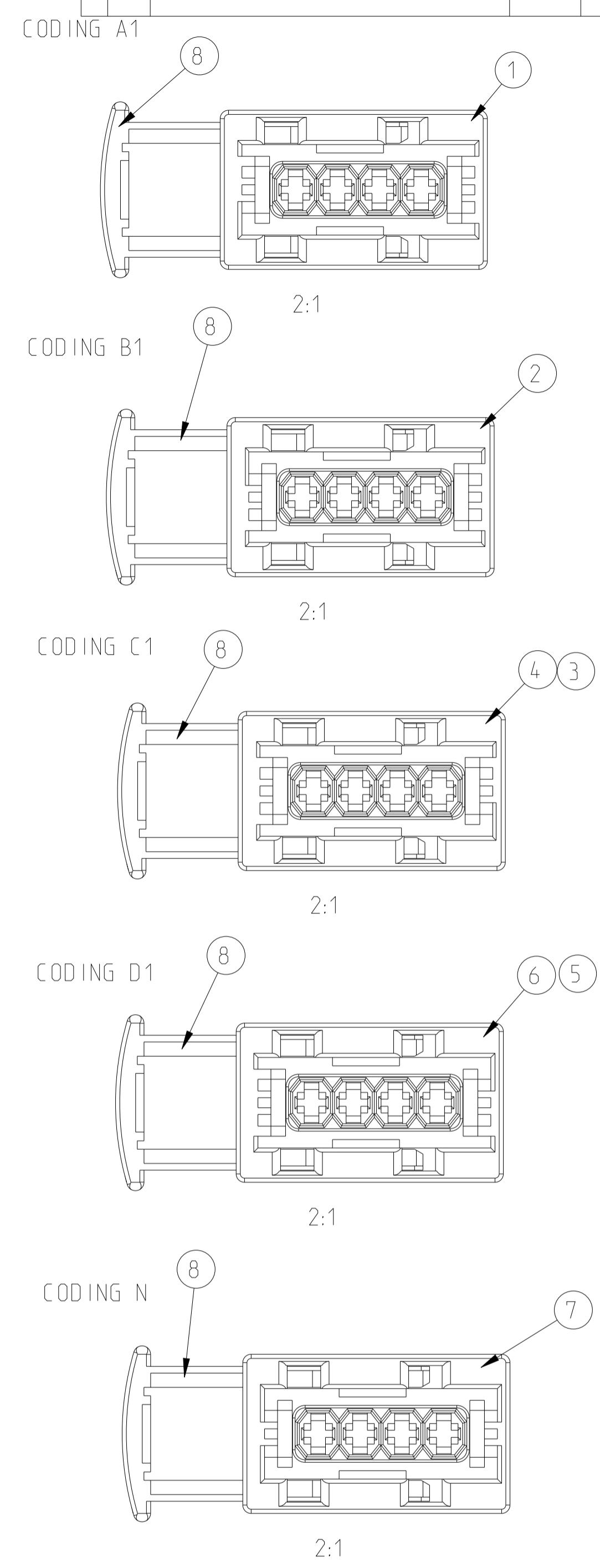


REVISIONS					
P	LTN	DESCRIPTION	DATE	DMN	APVD
H		SEE PCN. EGAO-0728-03-3	25MAY2004	M.D.	T.K.
H1		SEE E-06-019882	23AUG06	C.A.	T.K.
H2		REVISED PER ECR-23-188581	27FEB2024	RK	DJ

PROJECT-NO.: A89-52071



DELIVERY POSITION (G)
CAUSED BY TRANSPORT
THE POSITION OF THE SLIDE
COULD CHANGE TO INTERMEDIATE
OR CLOSED POSITION

OBsolete

CUSTOMER PART NO.	TE PART NO.	REV.	PCS	MATERIAL	COLOR	DESCRIPTION	ITEM NO.
4113601	5-963207-1	H	1	PBT-GF30	RED	SLIDE	8
	1-963207-1		1	PBT+ASA-GF30	WHITE	JPT HSG., 4POS.	7
4113643	4-963207-2	H	1	PBT-GF30	RED	SLIDE	8
	1-963207-2		1	PBT+ASA-GF30	GREEN	JPT HSG., 4POS.	6
4113643	4-963207-1	H	1	PBT-GF30	RED	SLIDE	8
	1-963207-1		1	PBT+ASA-GF30	BROWN	JPT HSG., 4POS.	5
4113635	3-963207-2	H	1	PBT-GF30	RED	SLIDE	8
	1-963207-2		1	PBT+ASA-GF30	GREEN	JPT HSG., 4POS.	4
4113635	3-963207-1	H	1	PBT-GF30	RED	SLIDE	8
	1-963207-1		1	PBT+ASA-GF30	BLUE	JPT HSG., 4POS.	3
4113627	2-963207-1	H	1	PBT-GF30	RED	SLIDE	8
	1-963207-1		1	PBT+ASA-GF30	GREY	JPT HSG., 4POS.	2
4113619	1-963207-1	H	1	PBT-GF30	RED	SLIDE	8
	1-963207-1		1	PBT+ASA-GF30	BLACK	JPT HSG., 4POS.	1

THIS DRAWING IS A CONTROLLED DOCUMENT.		DMN: M. Dauber	24MAY2004	
DIMENSIONS: mm		CHK: T. Kilian	25MAY2004	
TOLERANCES UNLESS OTHERWISE SPECIFIED:		APVD: -		NAME: JUNIOR POWER TIMER HOUSING, 4 POS.
0 PLC	±0.3	PRODUCT SPEC: 108-18102		APPLICATION SPEC: -
1 PLC	±0.3	APPLICATION SPEC: 116-18175-1		RESTRICTED TO: -
2 PLC	±0.3	WEIGHT: -		SCALE: 5:1
3 PLC	±0.3	CUSTOMER DRAWING		SHEET 1 OF 1
4 PLC	±0.3	MATERIAL: -		REV: H2
ANGLES	±	FINISH: -		
	±*	SIZE: 116-18175-1		
	±*	CAGE CODE: A1100779		
	±*	DRAWING NO: C=963207		