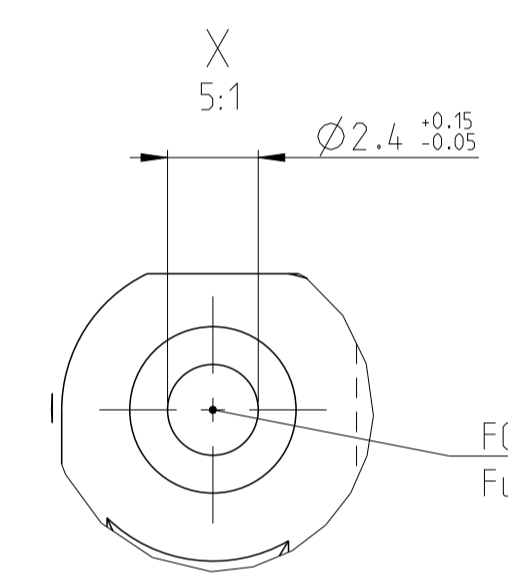
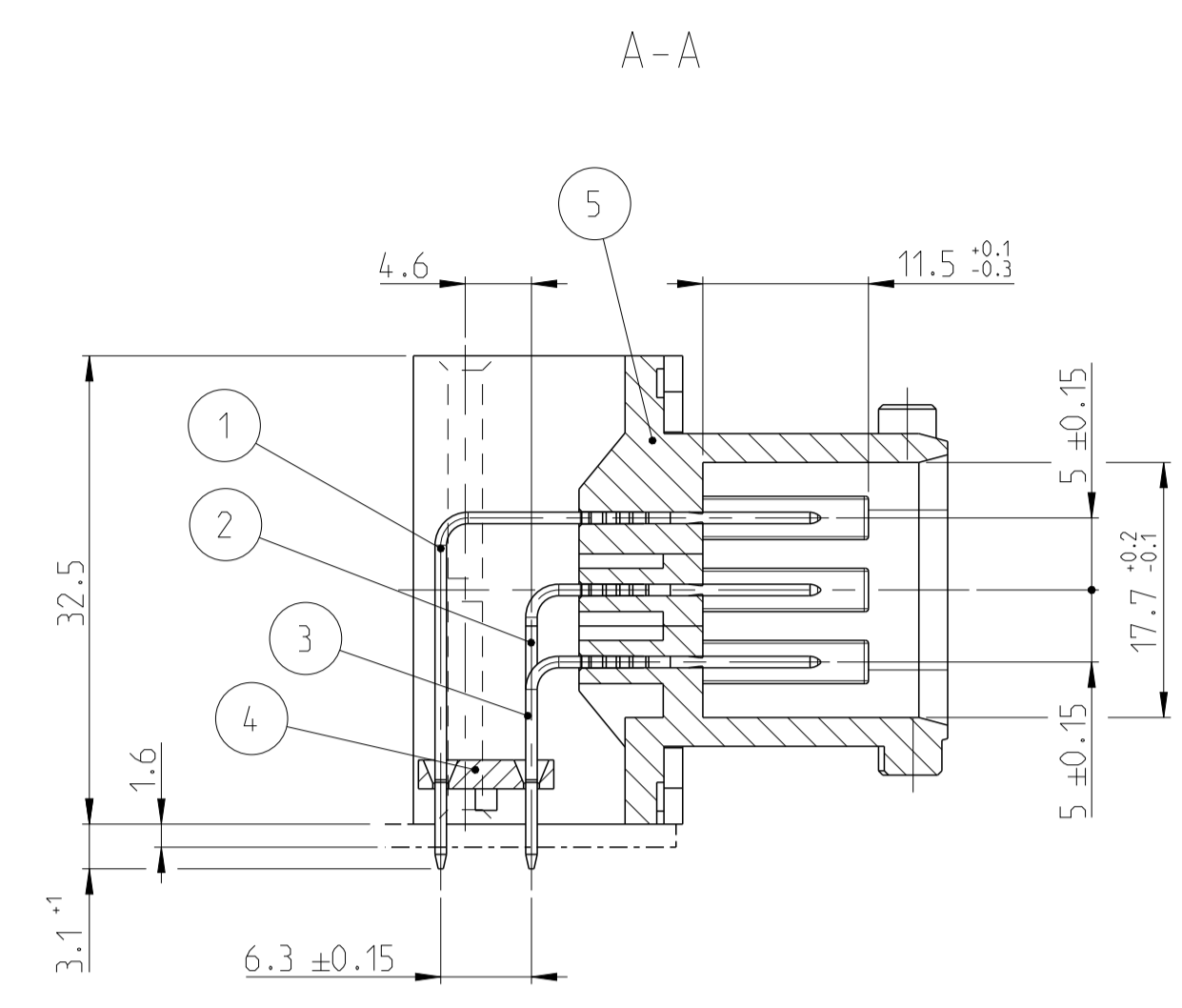
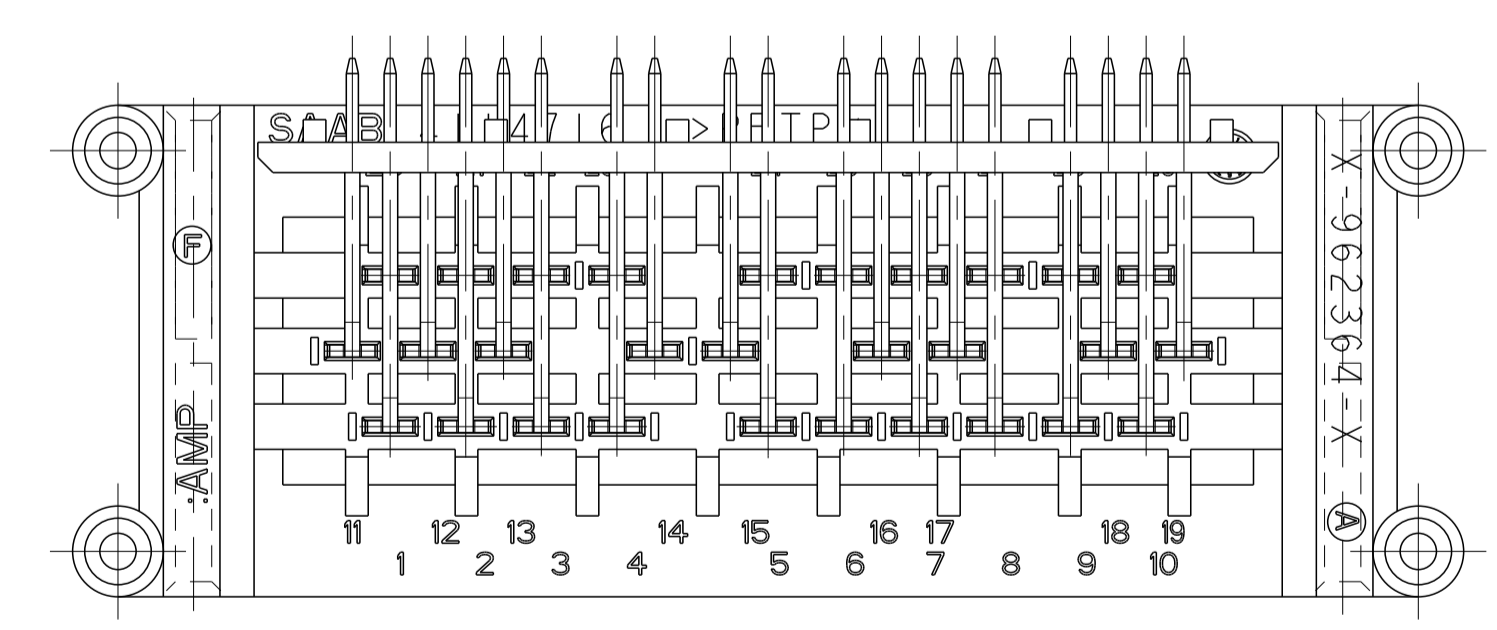
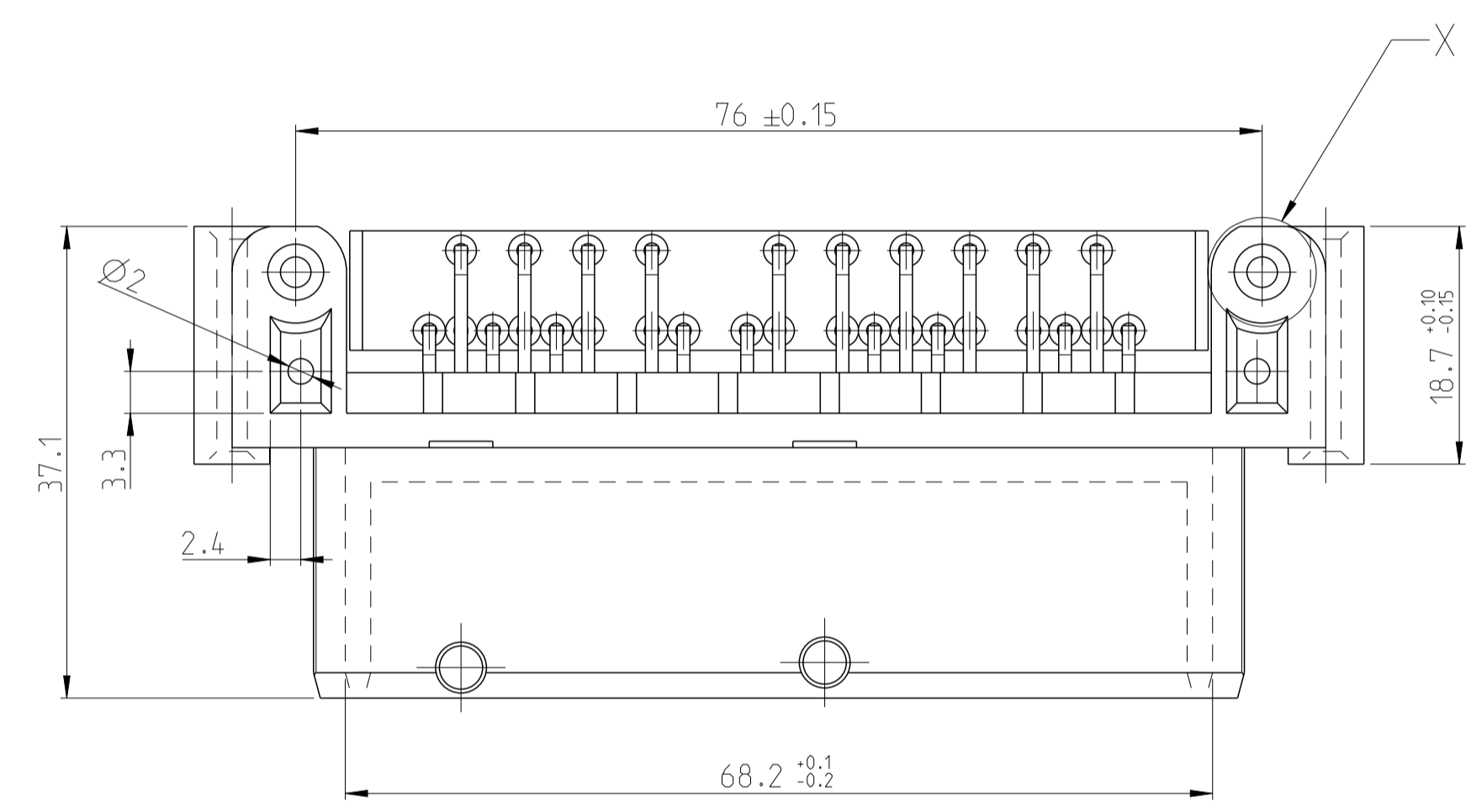
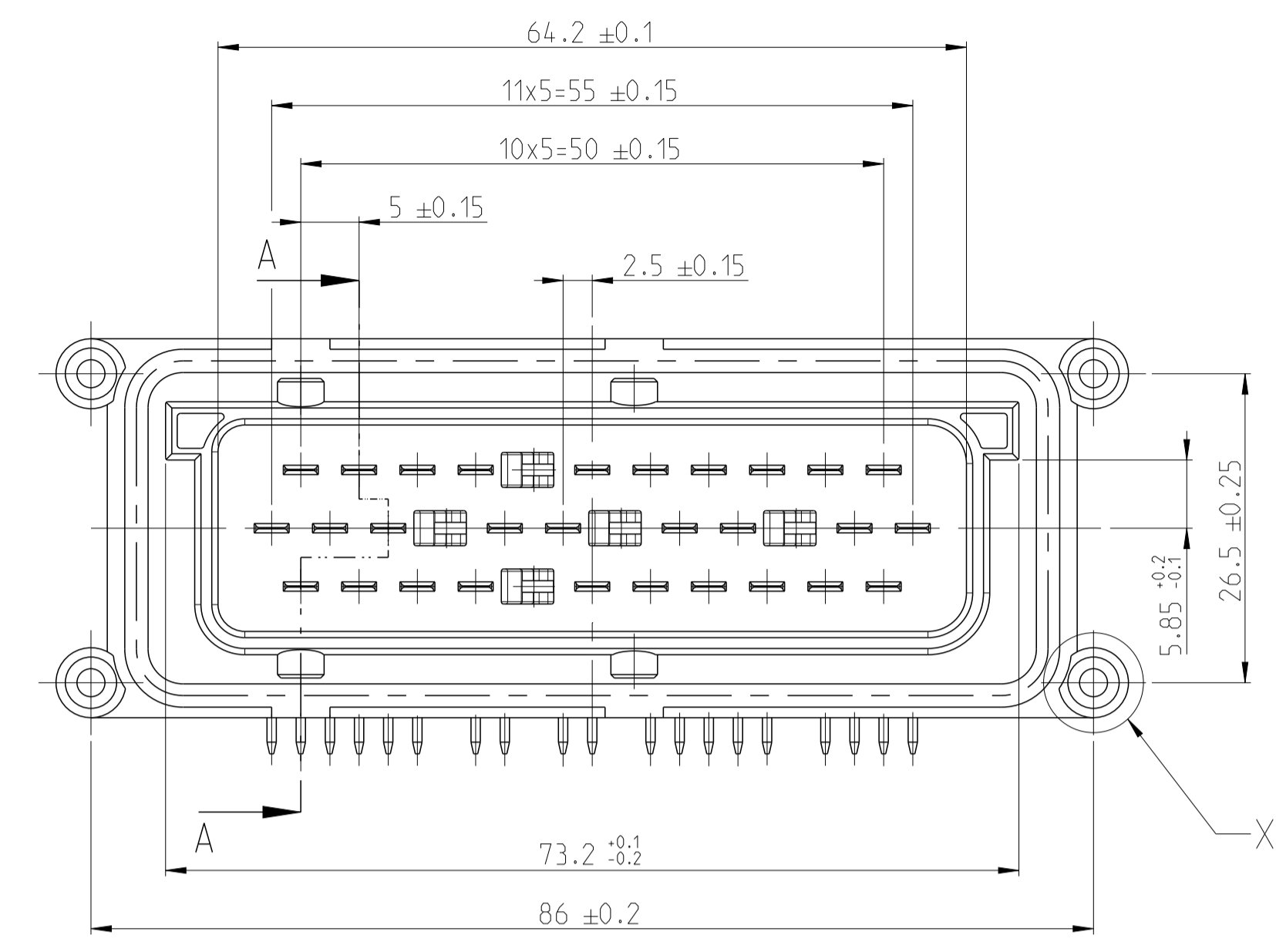
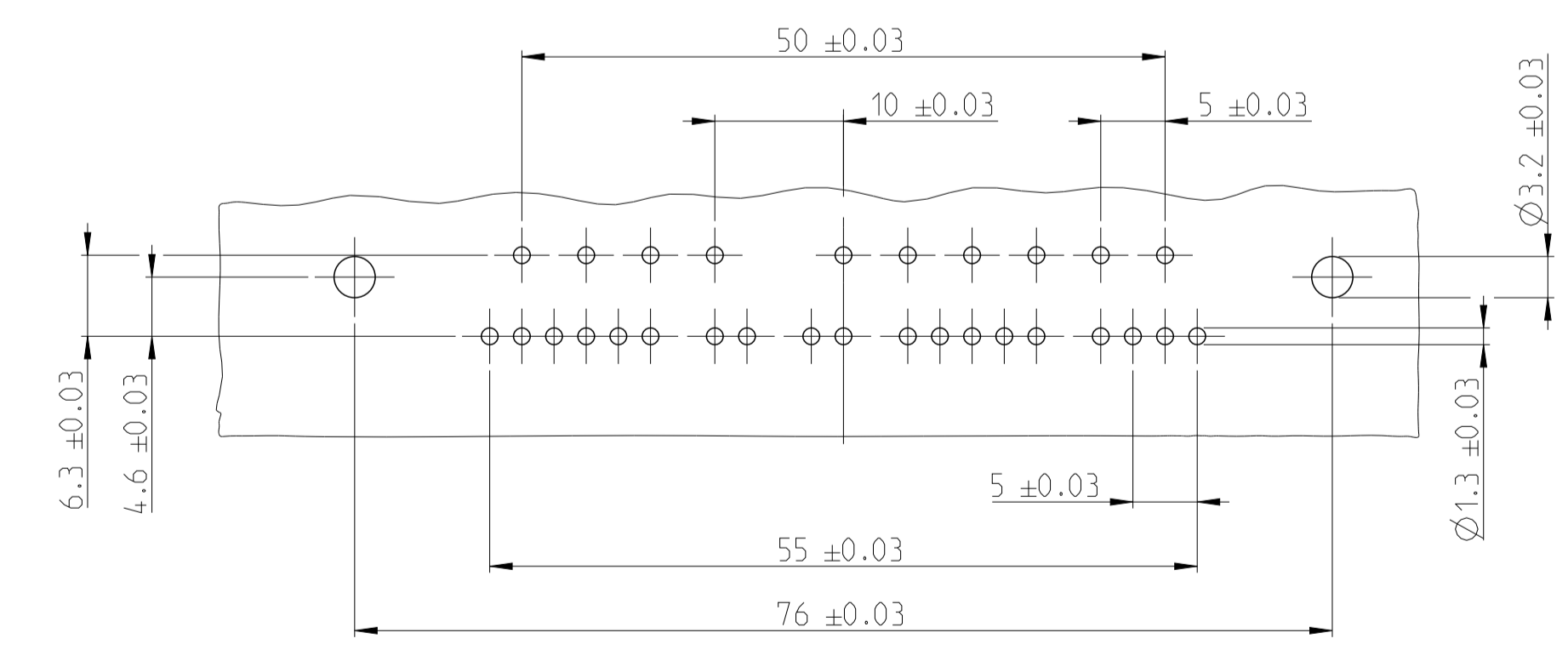


USED WITH		REVISIONS			
P	LTM	DESCRIPTION	DATE	DWN	APVD
G1		REDRAWN TO CREO	28AUG2017	GH	RP
G2		PNs 3-1, 4-1, 5-1, 6-1 OBSOLETE	06MAR2020	JPN	KPY



FOR CYL. SELF-TAPPING SCREW: DIN 7971 ST 2.9x9.5-C-H
 Fuer Gewindeschneidschraube: DIN 7971 St. 2.9x9.5-C-H

PCB-LAYOUT FOR 90° VERSION
 PCB-Lochbild fuer 90° Version

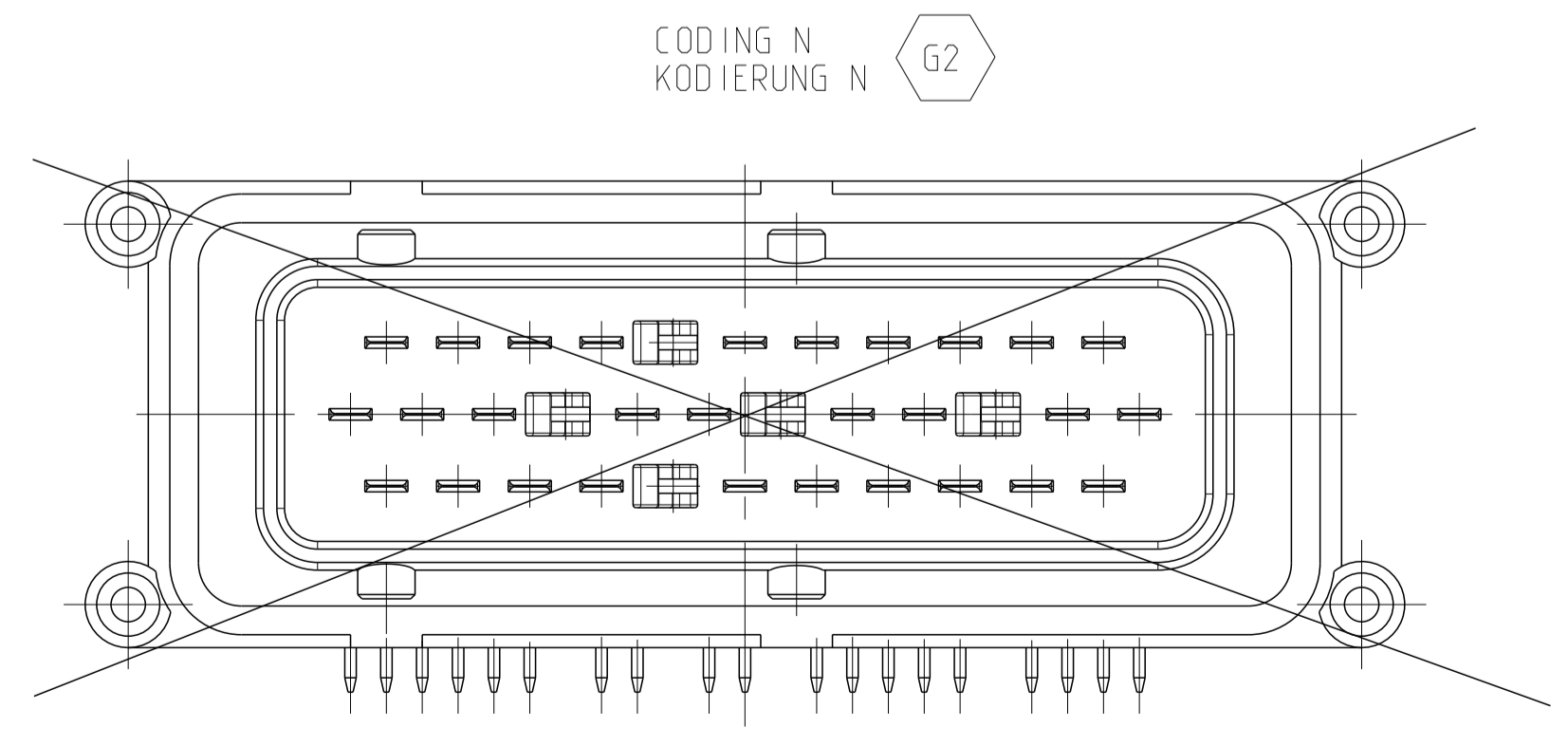
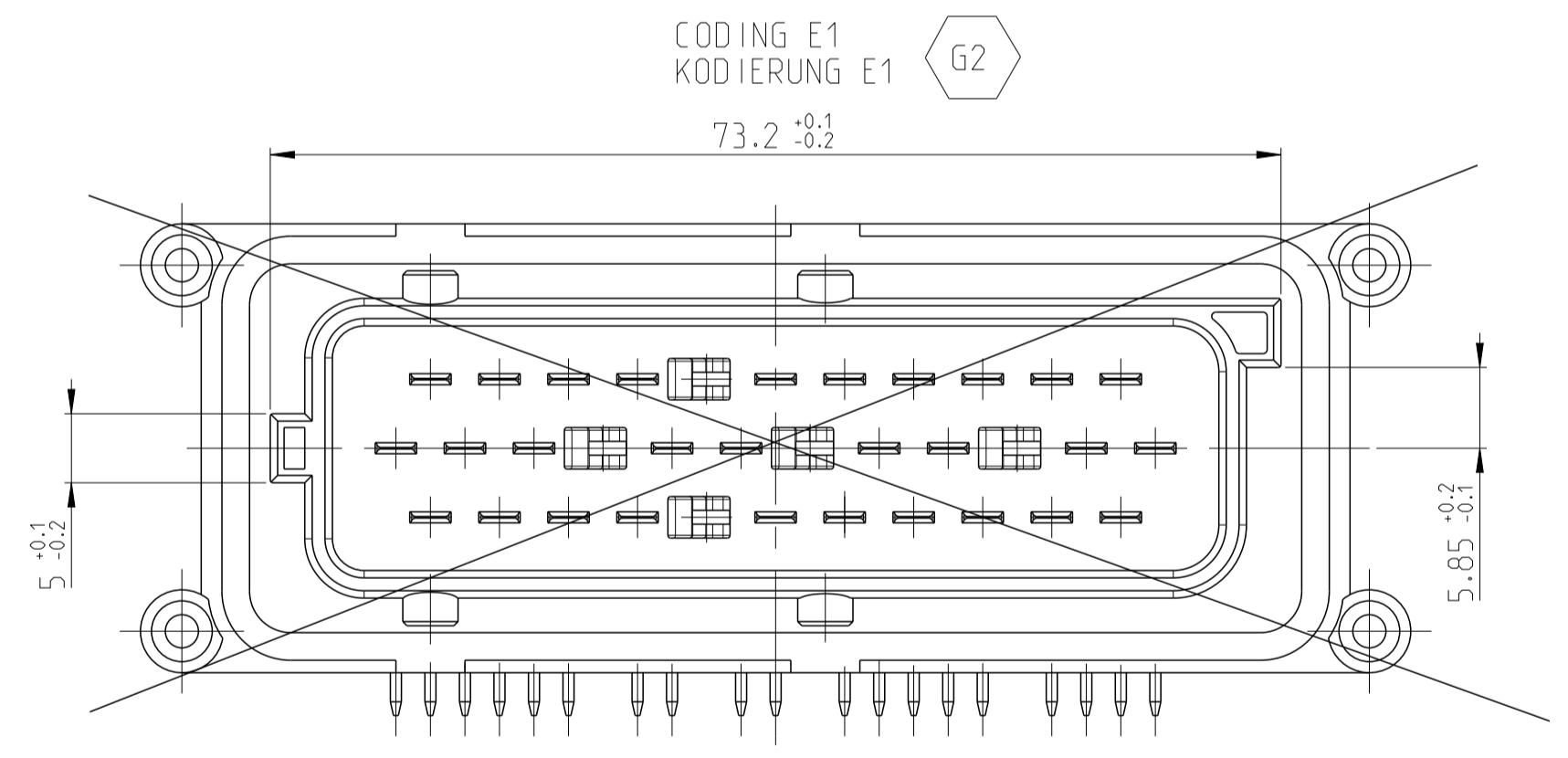
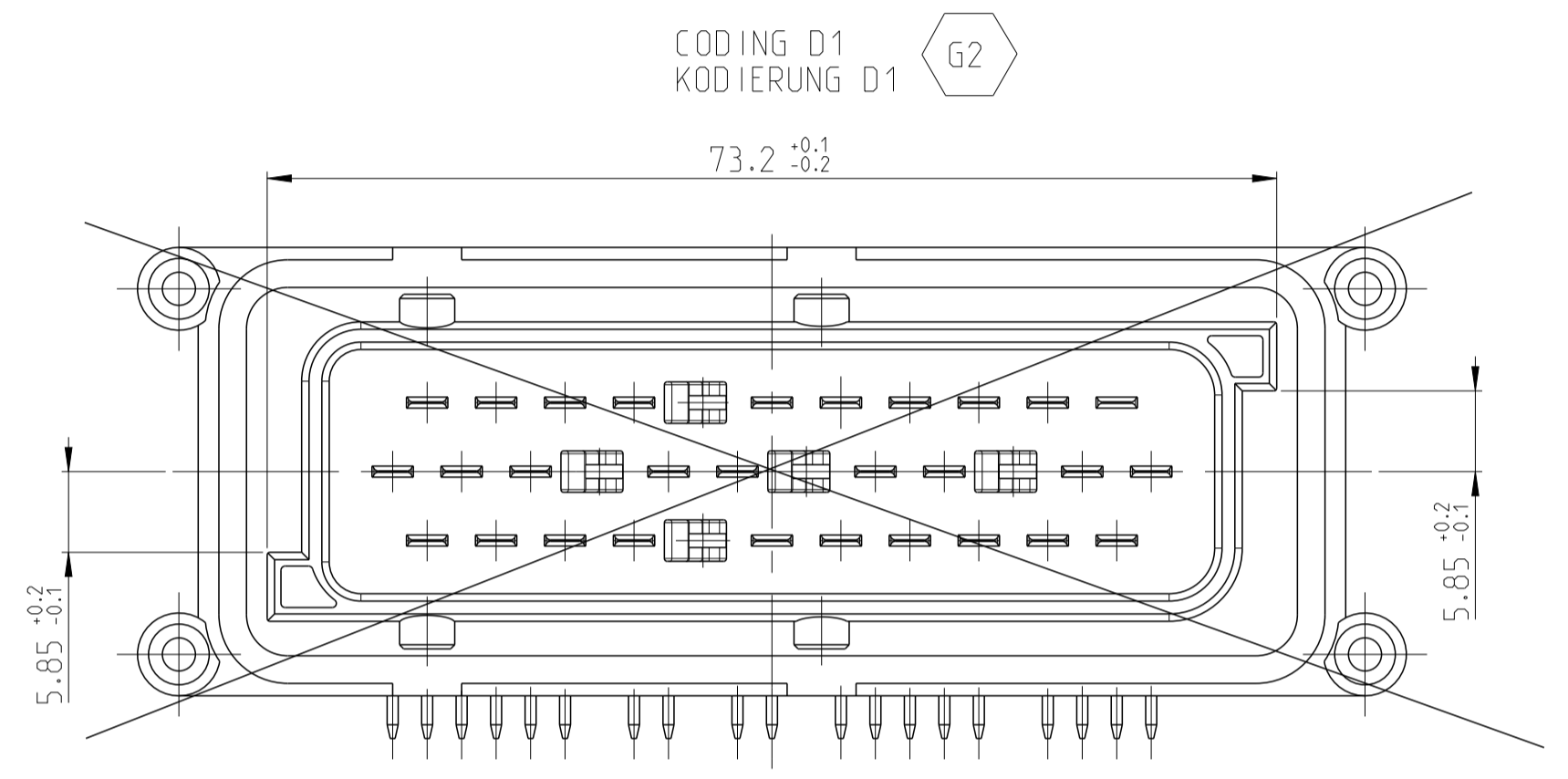
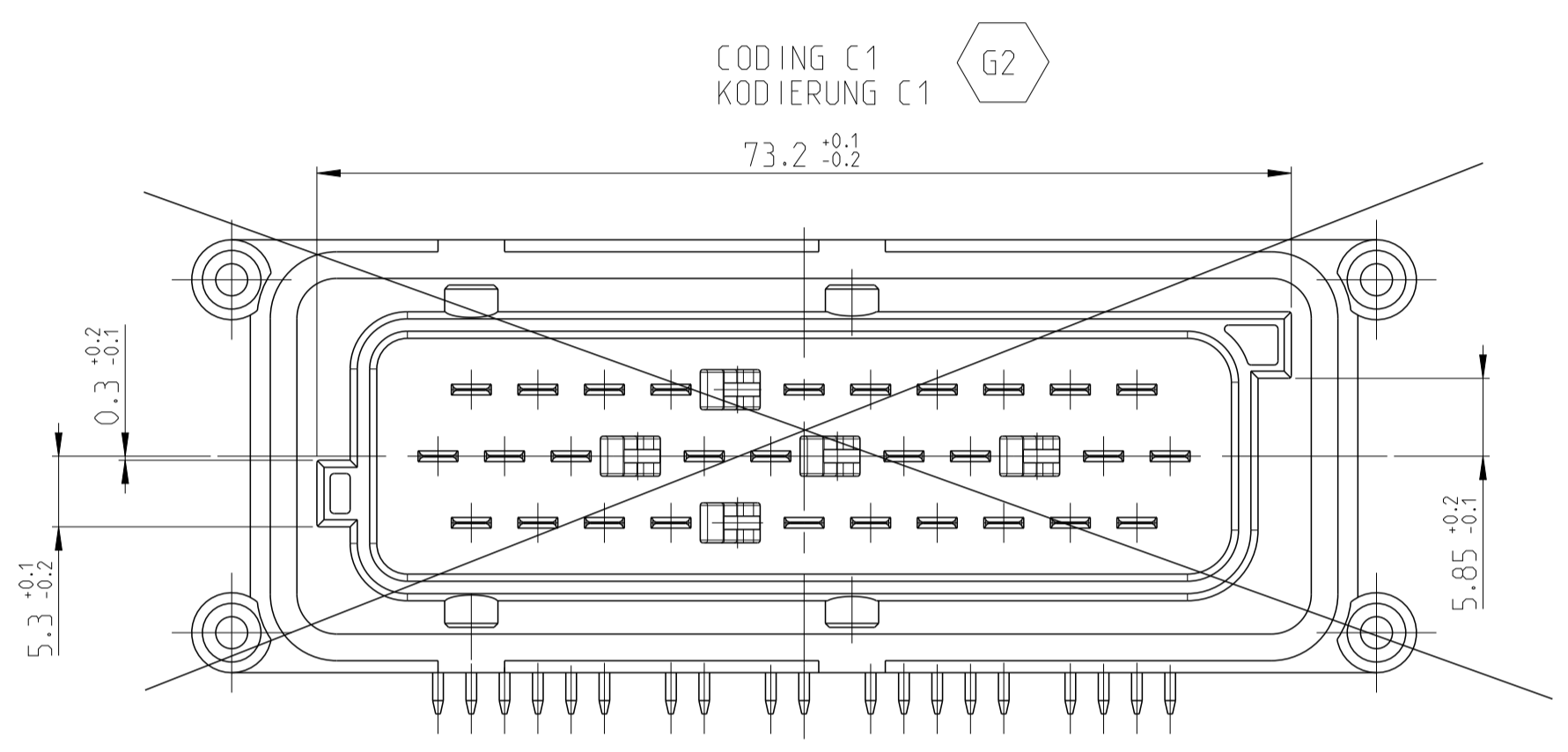
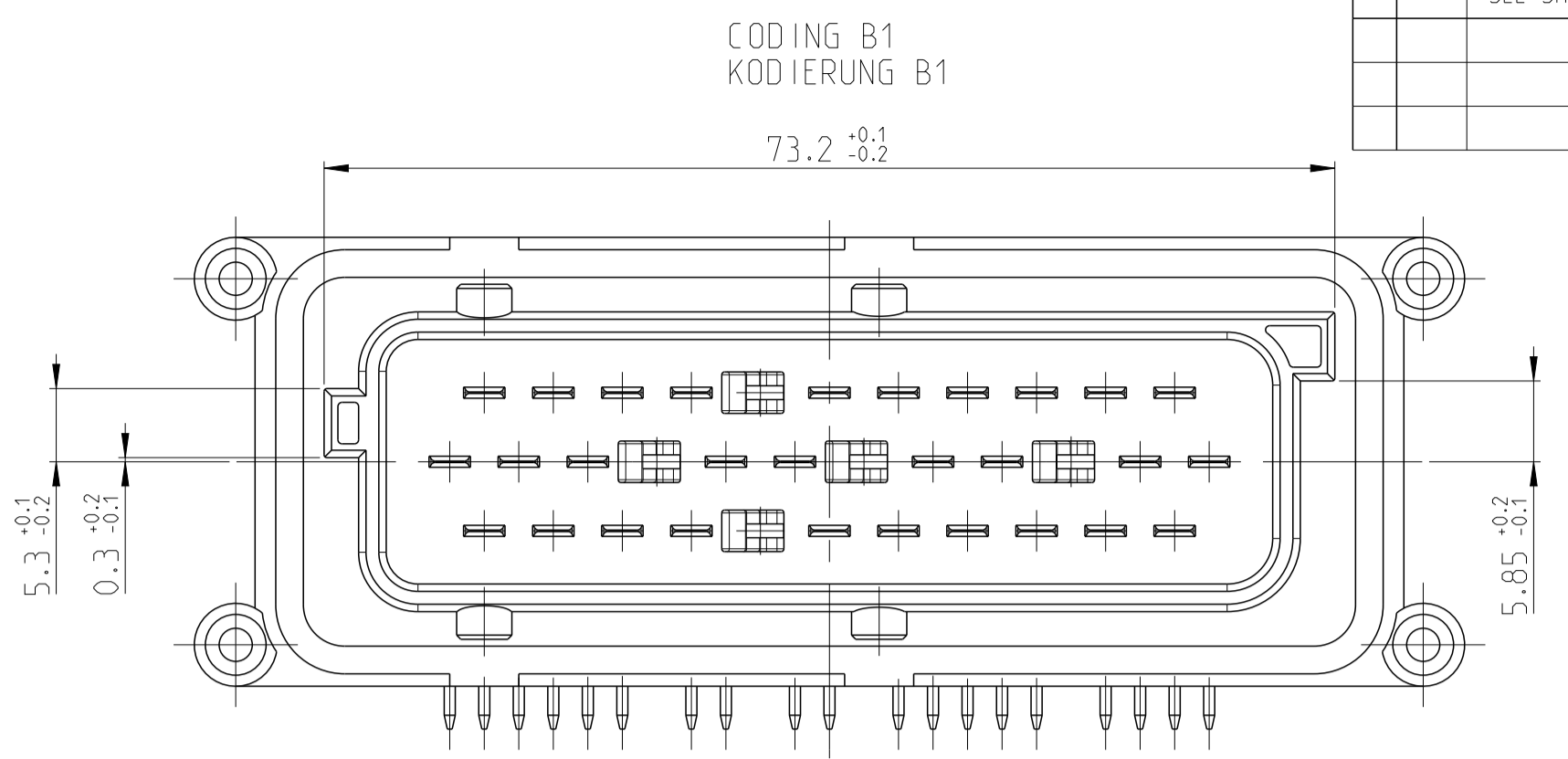
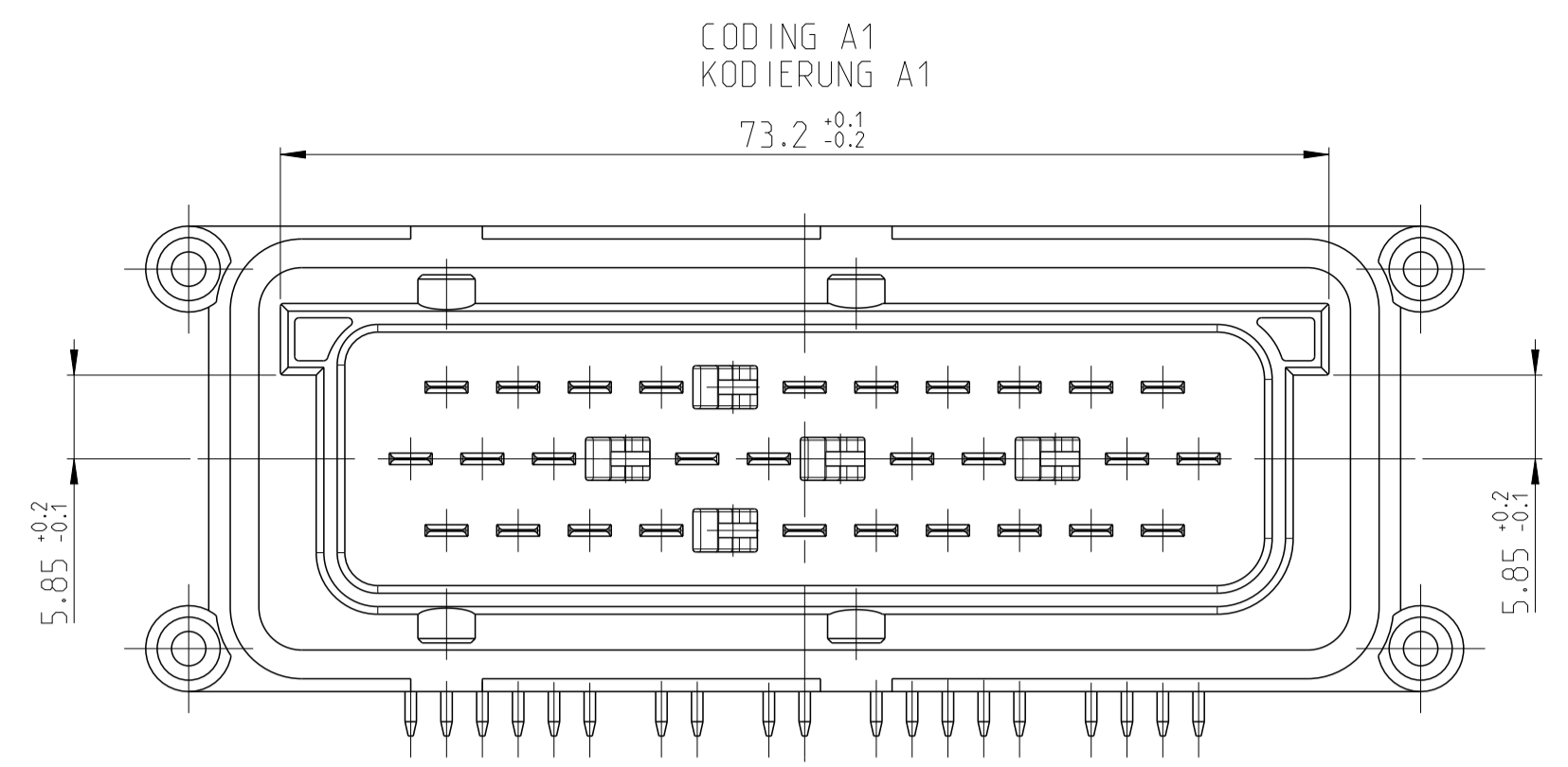


PARTS LIST SEE SHEET 2 OF 2
 STUECKLISTE SIEHE BLATT 2 VON 2

1-... 1 AS SHOWN
 1-...-1 wie gezeichnet

THIS DRAWING IS A CONTROLLED DOCUMENT.		DWN: M. KRESSMANN 23APR1993	TE Connectivity
DIMENSIONS: mm		CHK: W. STABROTH 23APR1993	
TOLERANCES UNLESS OTHERWISE SPECIFIED:		APVD: -	NAME: 29 POS. 3MM TAB HEADER (AIRBAG)
1-PLC ±0.3 2-PLC ±0.3 3-PLC ±0.3 4-PLC ±0.3 ANGLES ±0.3 FINISH ±0.3		PRODUCT SPEC: -	APPLICATION SPEC: -
MATERIAL: -		WEIGHT: -	RESTRICTED TO: -
CUSTOMER DRAWING		SIZE: A1	SCALE: 2:1
		CAGE CODE: -	DRAWING NO: 963221
		SHEET: 1 OF 2	REV: G2

REVISIONS				
P.	LTN	DESCRIPTION	DATE	APVD
-	-	SEE SHEET 1	-	-



QTY REQ	DESCRIPTION	MATERIAL	COLOUR	ITEM NO
1	29 POS. TAB. HEADER COD.N	PBT 30% GV	WHITE	5
1	29 POS. TAB. HEADER COD.E1	PBT 30% GV	VIOLET	5
1	29 POS. TAB. HEADER COD.D1	PBT 30% GV	BROWN	5
1	29 POS. TAB. HEADER COD.C1	PBT 30% GV	BLUE	5
1	29 POS. TAB. HEADER COD.B1	PBT 30% GV	GREY	5
1	29 POS. TAB. HEADER COD.A1	PBT 30% GV	BLACK	5
1	CENTERLINE PLATE	PBT 30% GV	BLACK	4
10	3 MM TAB (33.5)	CuSn4 F41	PRE-TINNED	3
9	3 MM TAB (38.5)	CuSn4 F41	PRE-TINNED	2
10	3 MM TAB (49.8)	CuSn4 F41	PRE-TINNED	1

THIS DRAWING IS A CONTROLLED DOCUMENT.

DMN: M. KRESSMANN 23APR1993
 CHK: W. STABROTH 23APR1993

TE Connectivity

NAME: 29 POS. 3MM TAB HEADER (AIRBAG)

SIZE: A1 CAGE CODE: - DRAWING NO: C=963221

SCALE: 2:1 SHEET: 2 OF 2 REV: G2