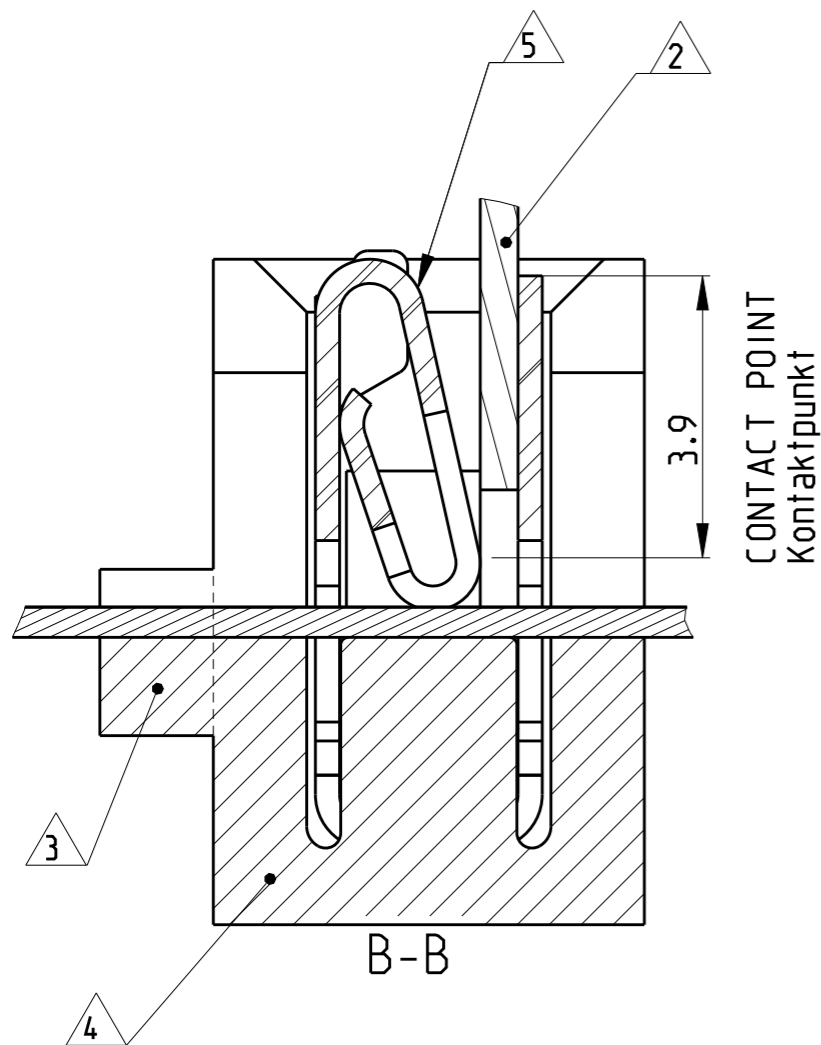
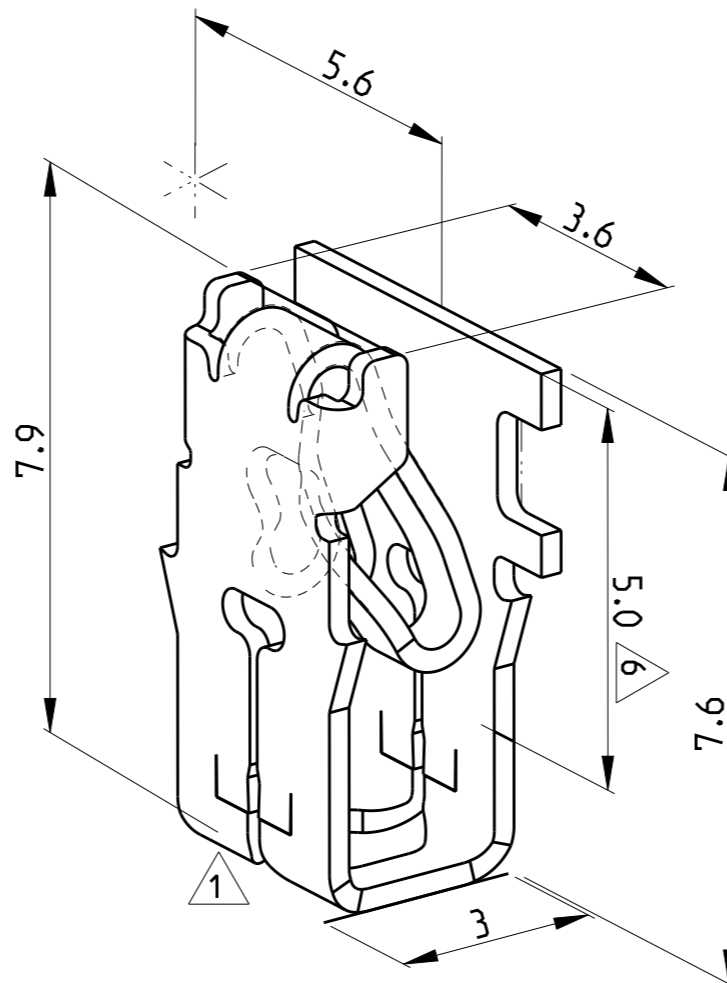


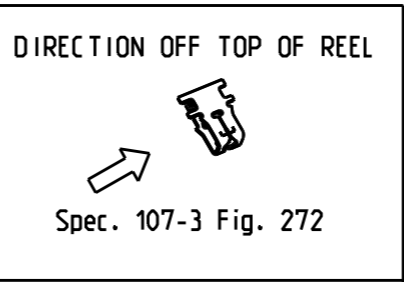
LOC	DIST	REVISIONS					
IR	-	P	LTR	DESCRIPTION	DATE	DWN	APVD
			D9	964338-5 PACKAGING UPDATED	17JUL2017	SV	PKS
			D10	PACKAGING QTY 10000/REEL NOTE REMOVED	28AUG2019	MB	PKS
			D11	3-964338-2 REMOVED FROM GENERAL SALES	29JAN2020	JA	PKS



CONTACT POINT
Kontaktpunkt



- 1 SLOT ACCEPTS SINGLE OR DOUBLE MAGNET WIRE OF SAME DIAMETERS $\varnothing 0.265...0.40\text{mm}$
Kontakt geeignet fuer Lackdraht $\varnothing 0.265...0.40\text{mm}$
(Einzeldraht oder zwei Draehete gleichen Durchmessers)
- 2 POKE IN TAB TERMINAL $3.4 \times 0.5\text{mm}$
Poke in Flachstecker $3.4 \times 0.5\text{mm}$
- 3 AREA WILL BE CUT BY TERMINATION
Bereich wird beim Kontaktieren abgetrennt
- 4 CAVITY ACCORDING TO TE SPEC. 411-18512
Kontakt Kammer nach TE Spec 411-18512
- 5 IDENTIFICATION NO. FOR MAGNET WIRE RANGE (6)
Kennziffer fuer Lackdrahtbereich (6)
- 6 OVER THE MARKED LENGTH:
SELECTIVE Min. $0.4 \mu\text{m}$ GOLD OVER NICKEL
Ueber die gekennzeichnete Laenge:
selektiv Min. $0.4 \mu\text{m}$ Gold ueber Ni
- 7 REELED WITH PAPER INTERLAYER 0-737976-1
ON PLASTIC REEL 1-725652-0
Reeling mit Papierzwischenlage 0-737976-1
auf Kunststoffspulen 1-725652-0
- 8 REELED ON PLASTICREEL 0-725652-4
Gewickelt auf Kunststoffspulen 0-725652-4
- 9 QUANTITY 15000 PCS./REEL
Mengeinheit 15000 stk./ spule
- 10 REELED WITH PAPER INTERLAYER 1-782504-1
ON CARDBOARD REEL 973053-1
Reeling mit Papierzwischenlage 1-782504-1
auf Pappbandspule 973053-1



2-964338-7	8	A	CuNiSi	FLASH GOLD OVER Ni	
2-964338-2		A	CuNiSi	TIN PLATED	
964338-5	10	D	CuNiSi	PRE TINNED	
964338-7		C	CuNiSi	FLASH GOLD OVER Ni	SUPERSEDED BY PN 2-964338-7
964338-3		B	CuZn	PRE TINNED	
964338-2		C	CuNiSi	PRE TINNED	
964338-1		B	CuNiSi	BLANK	
PART NO	REV.	MATERIAL	SURFACE COLOUR	NOTE	

THIS DRAWING IS A CONTROLLED DOCUMENT.

DIMENSIONS:	TOLERANCES UNLESS OTHERWISE SPECIFIED:
mm	n. ISO 8015, n. ISO 2768- mH-E, n. DIN 16901-14.0
	0 PLC \pm 1 PLC \pm 2 PLC \pm 3 PLC \pm 4 PLC \pm ANGLES $\pm 1^\circ$
MATERIAL	FINISH
SEE TABLE	SEE TABLE

DWN Rudolph 16-03-95	TE Connectivity	
CHK H. Pölber 20-03-95		
APVD -	NAME MAG MATE LEAF TERMINAL MARK II	
PRODUCT SPEC 108-2012	SIZE A3	CAGE CODE 00779
APPLICATION SPEC 114-2046	DRAWING NO C-964338	RESTRICTED TO -
WEIGHT -	Customer Drawing	SCALE 10:1 SHEET 1 OF 1 REVD11