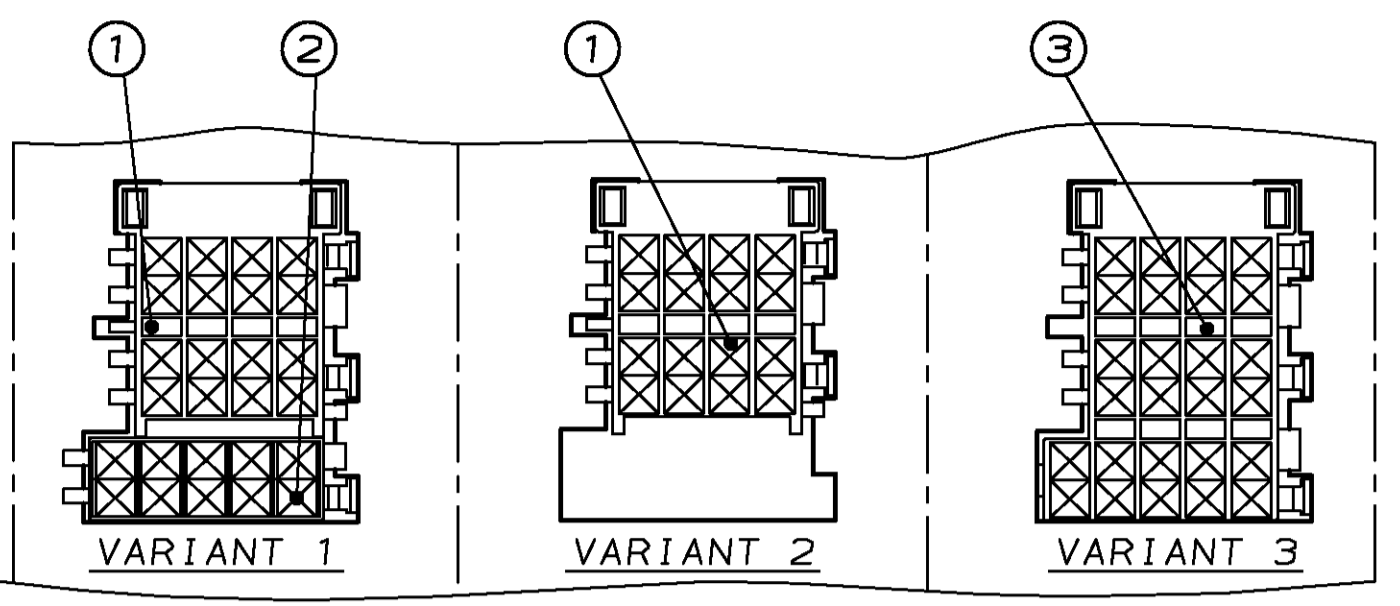


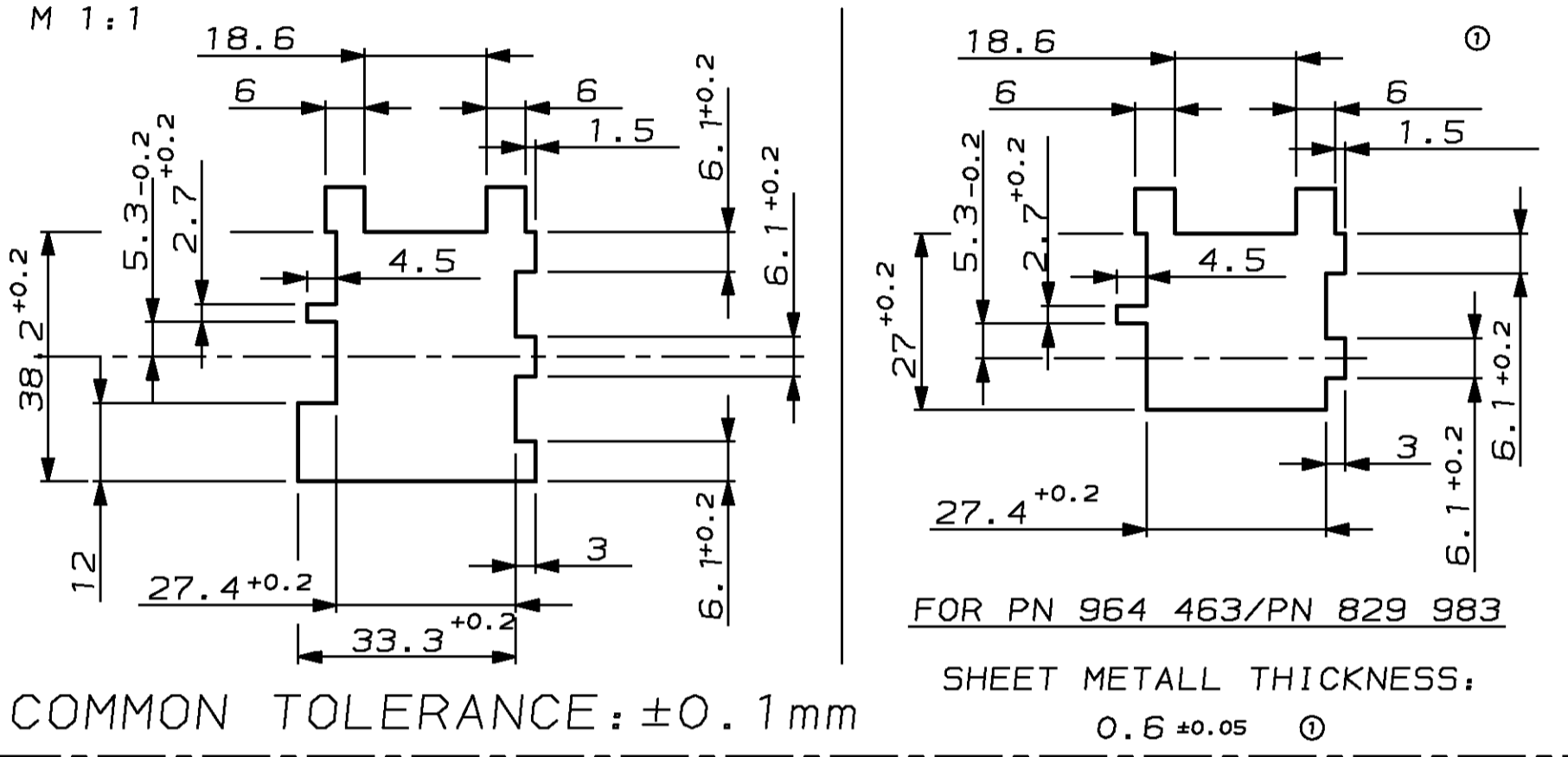
NUMBER 964 463
 USED WITH
 PARTS WITH
 WAS NO. C91-52812-40
 CAD-ORIGINAL
 ZEICHNUNG NICHT ÄNDERN
 LOC
 AI
 DIS
 1

APPLICATION-SCHEME
M 1:1

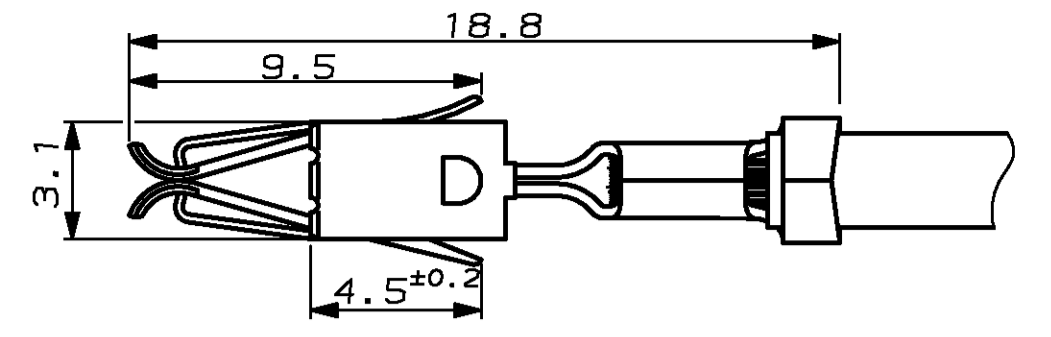
- ① HOUSING; 16 POS. Ⓞ
PN 964 463 / PN 829 983
- ② HOUSING; 10 POS. Ⓞ
PN 964 454 / PN 829 984
- ③ HOUSING; 26 POS.
PN 964 468 / PPN 91-52812-11



RECOMMENDED LAYOUT
M 1:1



JUNIOR-POWER-TIMER KONTAKT



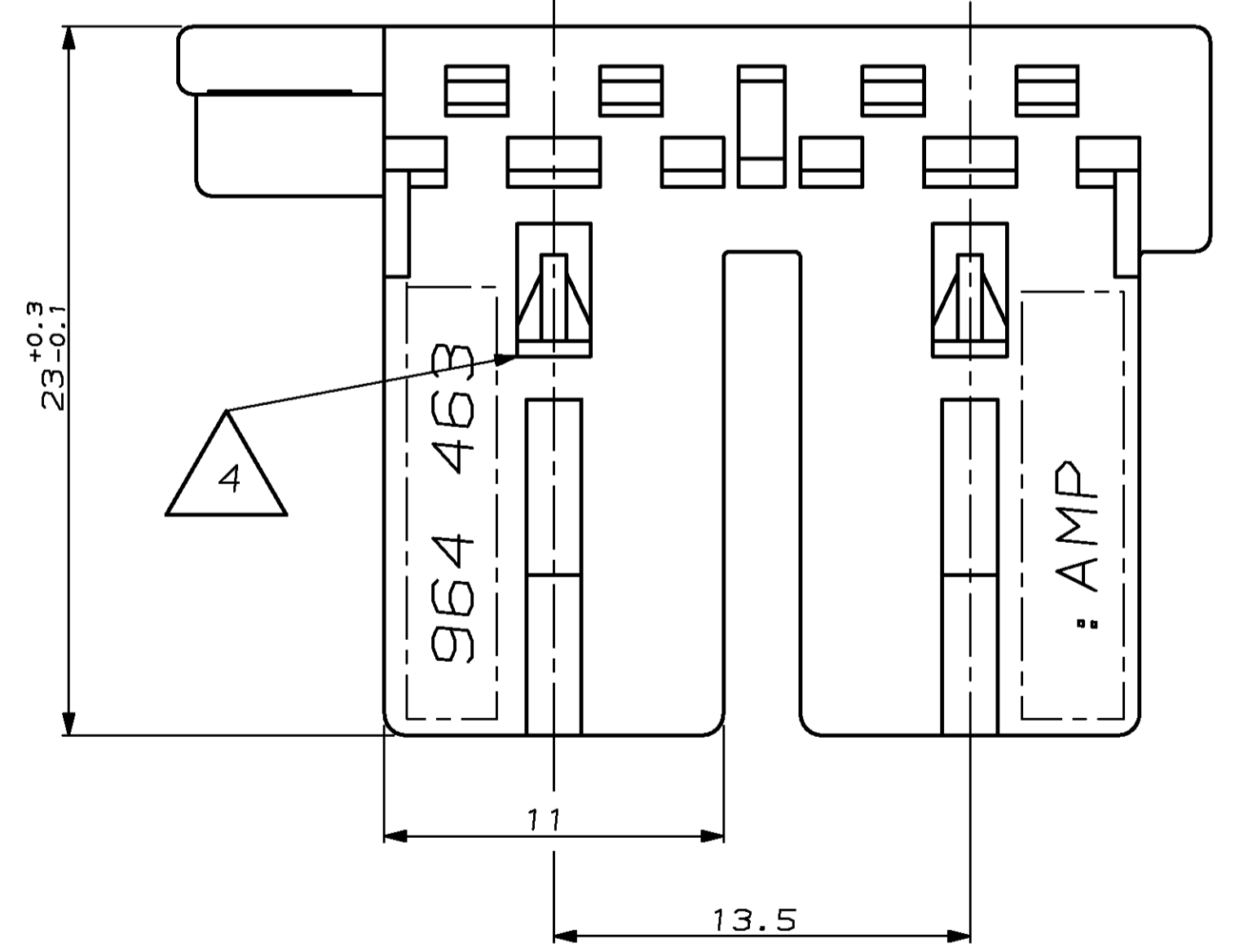
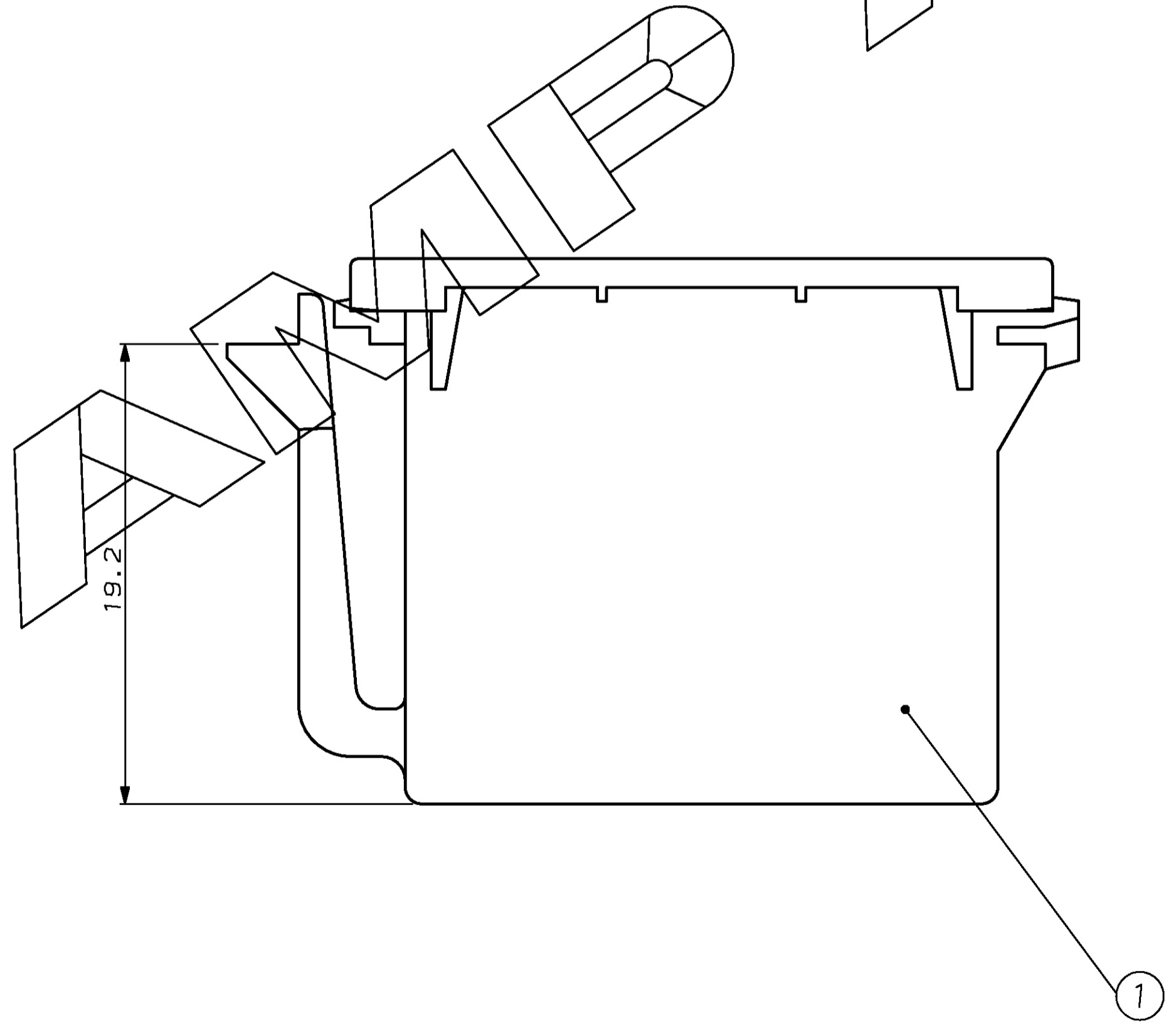
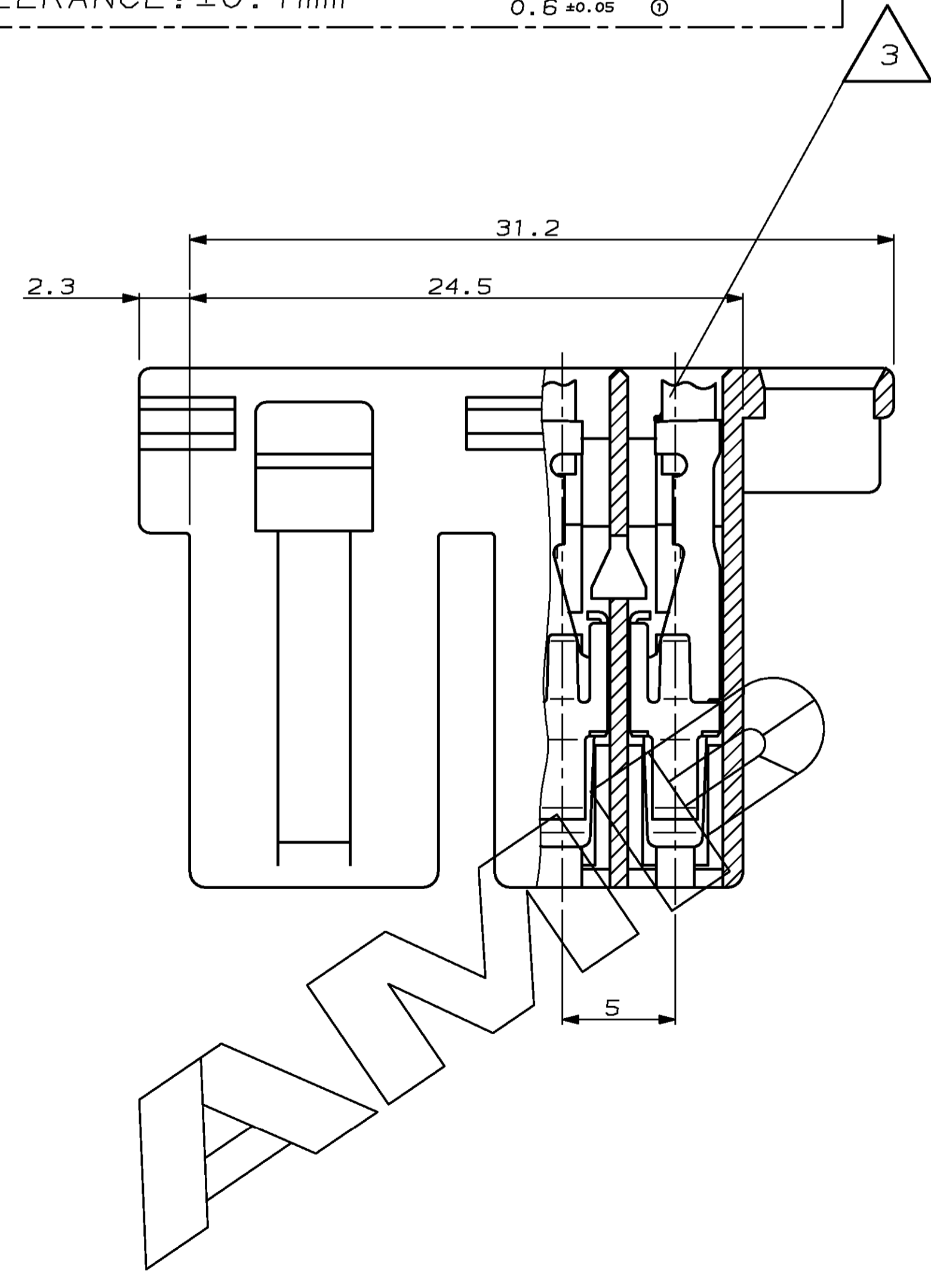
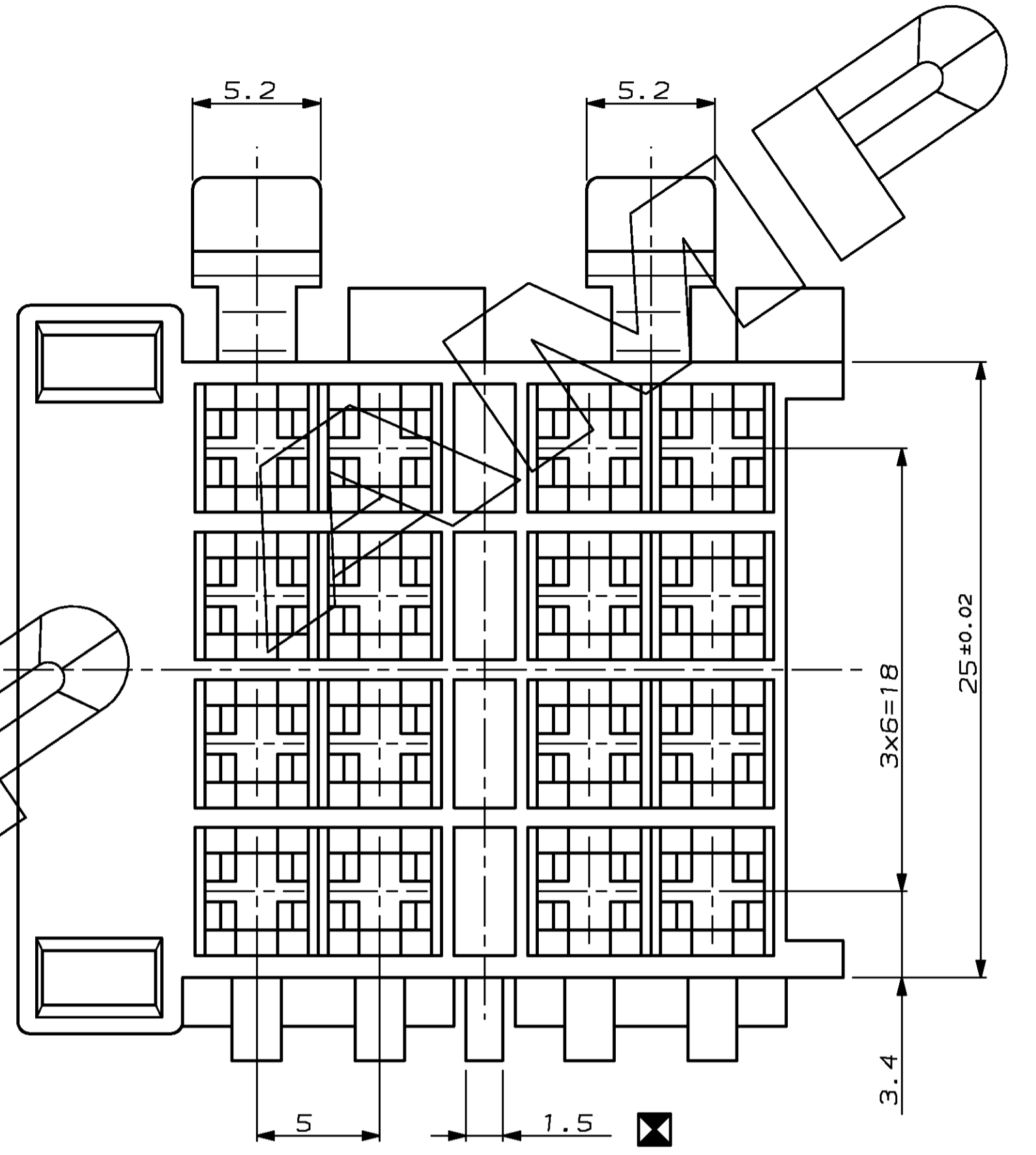
△2	928 876-1	0.5-1.0mm ²	CuSn4	UNPLATED
△4	927 768-3	>1.0-2.5mm ²		TIN-PLATED
△5	927 771-3	0.5-1.0mm ²		

REMARKS:

- △1 CONNECTOR HOUSING WITH RETAINER
- △2 USE JPT-CONTACT PN 928 876-1 FOR CAR-RADIO-RETRACT (QUICK-OUT) FOR 10.000 MATING CYCLES
- △3 IF SECOND LOCKING-DEVICE IS USED MATE CONTACTS ORIENTATED
- △4 MATING POSITION FOR SECOND LOCKING-DEVICE (RETAINER)
- △5 JPT-CONTACT FOR STANDARD APPLICATION; USE CONTACT FOR MAX. 20 MATING CYCLES;

CONFIDENTIAL

UNDIMENSIONED EDGES ARE NOT SCALED	MODIFICATION FOUNDED IN TECHNICAL PROGRESS ARE RESERVED	UNPUBLISHED DRAWING, ALL RIGHTS RESERVED COPYING AND PUBLISHING ONLY BY PERMISSION BY AMP GERMANY GMBH	DRAWING PROTECTION BY ©COPYRIGHT 1992 AMP GERMANY GMBH ALL RIGHTS RESERVED	REV. 1 PN + LAYOUT ADDED 2 4.6 changed to 5.2	MODIFICATION	DATE 04.08.92 14.07.93	NAME R.KOHL R.KOHL
------------------------------------	---	---	---	---	--------------	------------------------------	--------------------------



DRAWING VALID FROM							
AMP AMP DEUTSCHLAND G.m.b.H. Langen b.Ffm., West Germany							
BENENNUNG HOUSING; 16 POS. FOR JUNIOR-POWER-TIMER CONTACTS							
829 983-1	964 463-1	-	1	1	HOUSING	PA6.6	GREY
ORDER-NO. △	ORDER-NO.	PARTNUMBER	POS.	PCS.	DESCRIPTION	MATERIAL	SURFACE COLOR
HSG. WITH RETAINER	HSG. WITHOUT RETAINER						
GEZ. KÖRSCHNER 28.08.91				GEPR. SZELAG 28.08.91			
NIGHT TOLERANTE MASSE * 0.2mm * 2 * SCALE 5:1 FORMAT A1 ZEICHNUNGS-NR. 964463 BLATT 1 VON 1 REV. 2							