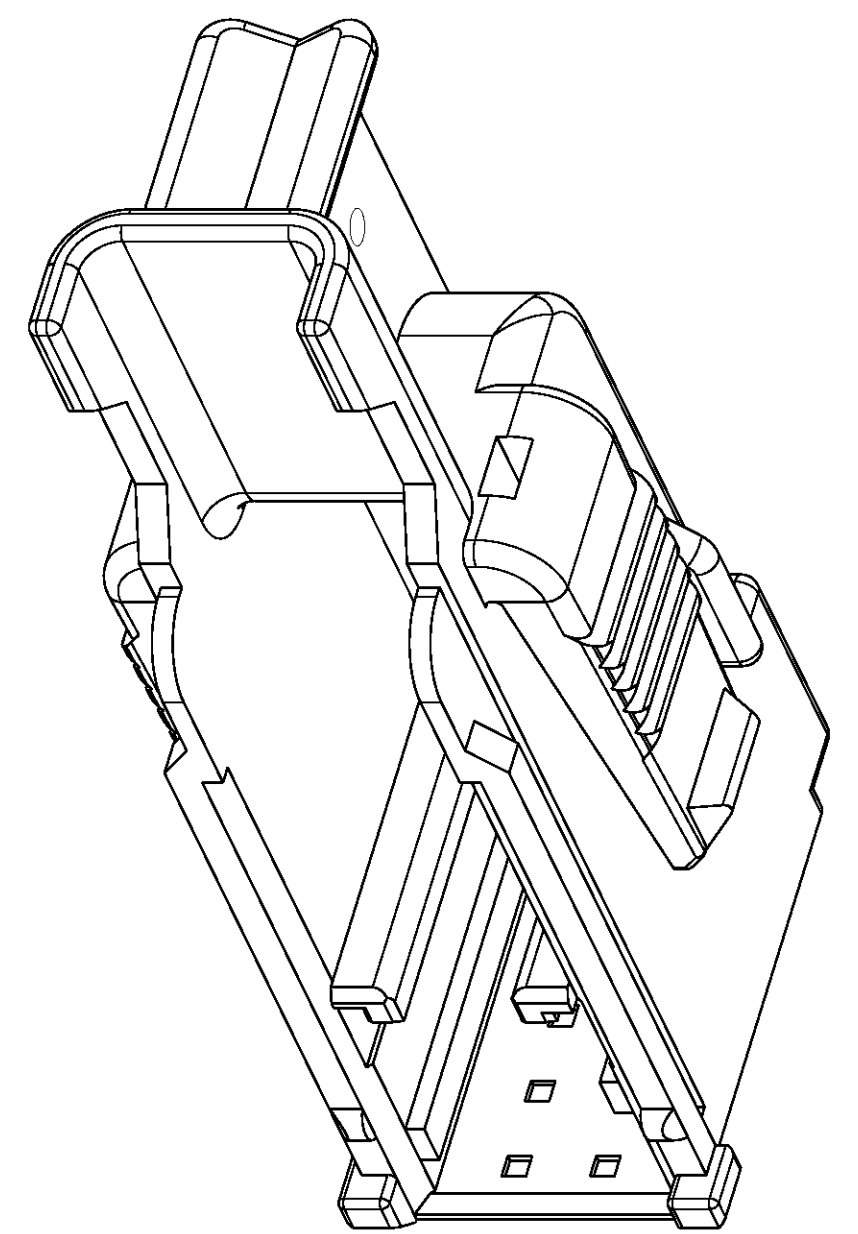
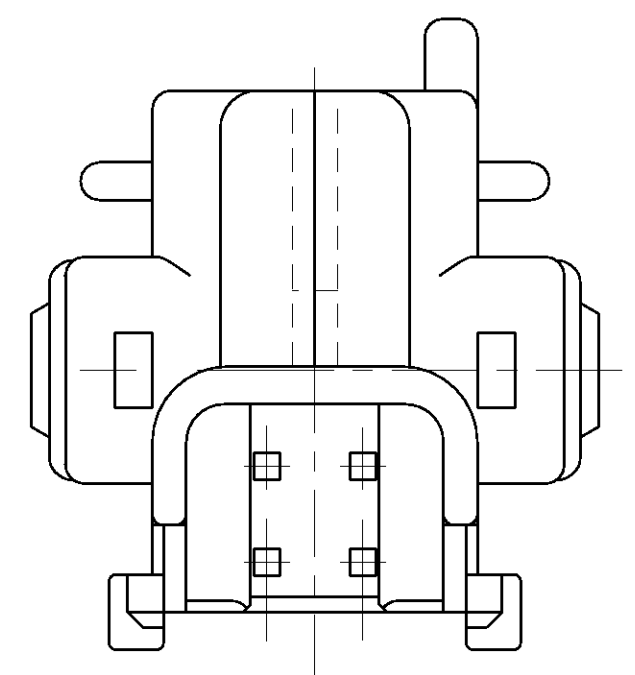
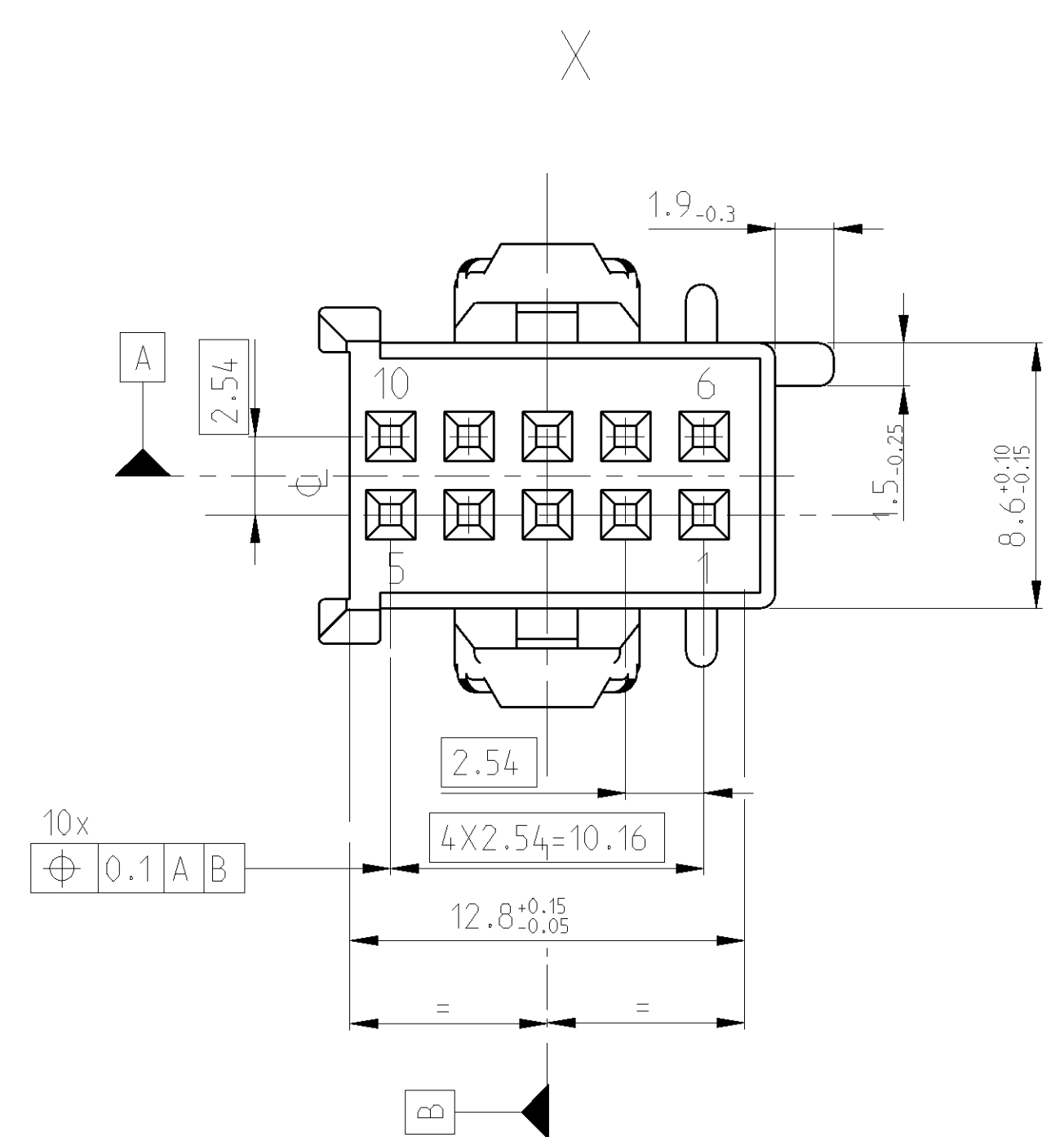
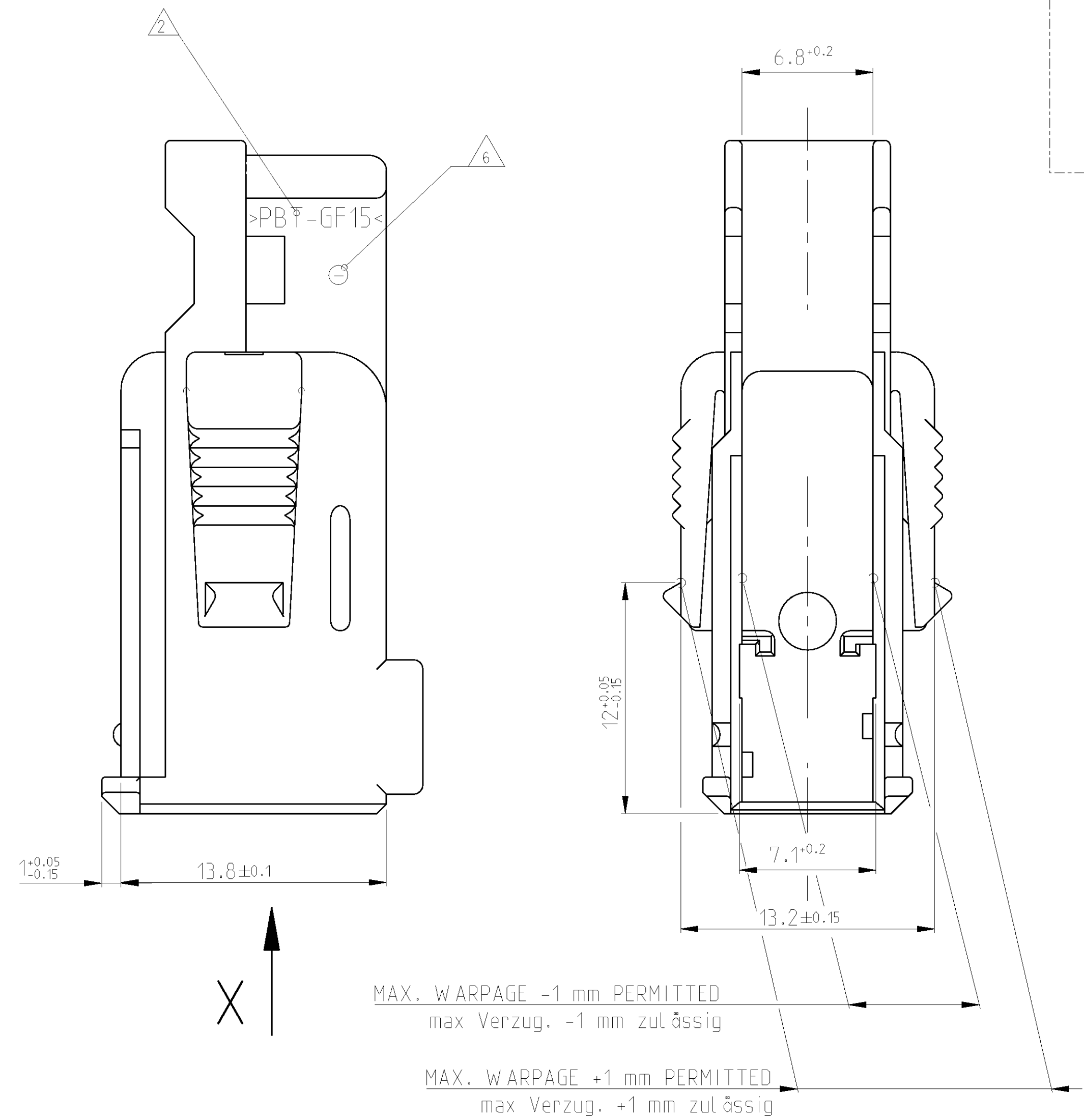
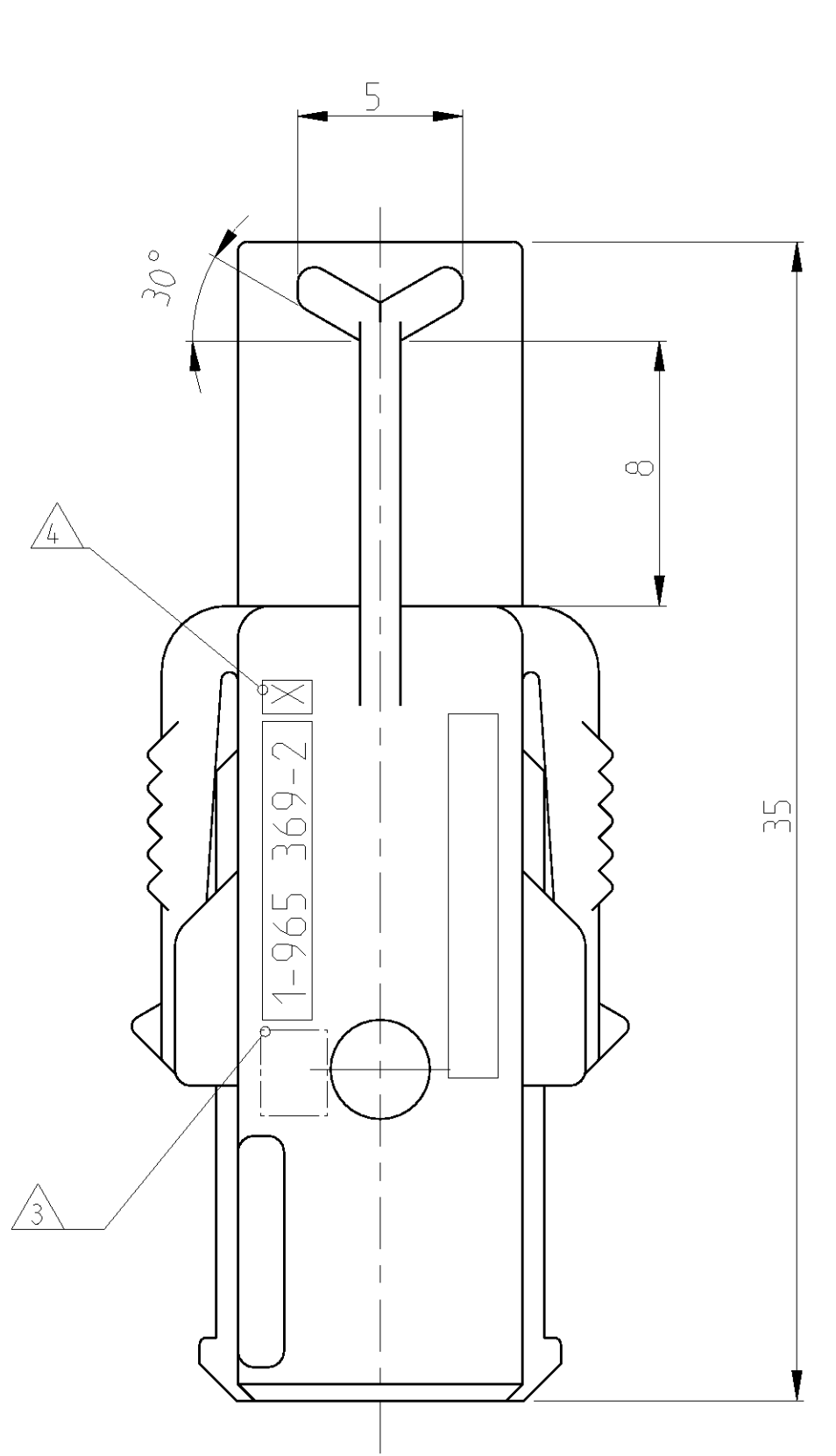


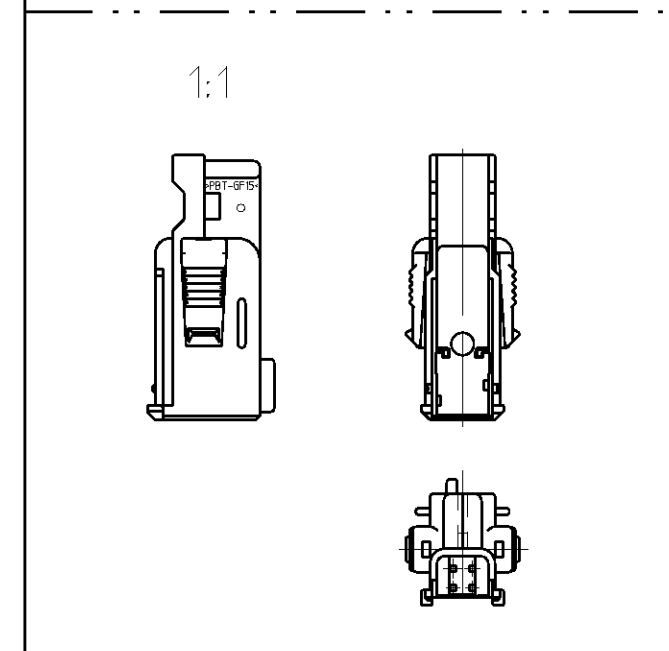
CODING M 2:1
 Kodierungen

A B C D Z

LOC	DIST	REV	DATE	BY	CHK	APPV
AI	-	C	28APR2010	MDA	HHC	



- NOTES**
 Bemerkungen
- ACCORDING TO SOCKET-HOUSING, 10 POS.
 TYCO ELECTRONICS NO.: 1-968562-1
 ACCORDING TO COVER
 TYCO ELECTRONICS NO.: 968286-2
 Passend zu Buchsenkontakt, 10pol.
 TYCO ELECTRONICS Nr.: 1-968562-1
 Passender Deckel
 TYCO ELECTRONICS Nr.: 968286-2
 - MATERIAL IDENTIFICATION.
 Materialkennzeichnung
 - TYCO ELECTRONICS PART NUMBER
 Tyco Electronics Teilenummer
 - REVISION INDEX
 Revisions Index
 - DATE CODE
 Datumcode
 - CAVITY MARKING
 Nestmarkierung
 - ONLY THE GERMAN LANGUAGE VERSION IS AUTHORITATIVE
 Massgebend ist nur der deutsche Text



REV.	PART NO.	REV.	MATERIAL	SURFACE COLOR	DESCRIPTION	FINISH/SURFACE/FARBE	WEIGHT/GEWICHT	CUSTOMER DRAWING
A	1-965369-2	A	PBT-GF15	BLACK/schwarz SIM./aehnl. RAL 9011	SHIELD/Abdeckkappe	0 PLC ± 1 PLC ± 2 PLC ± 3 PLC ± 4 PLC ±	-	-
DIMENSIONS: MASSENHEITEN: mm TOLERANCES: UNLESS OTHERWISE SPECIFIED: ALL DIMENSIONS							DWN: M. Dauber CHK: - APVD: - NAME: Tyco Electronics AMP GmbH 64425 Bensheim (Germany)	
PRODUCT SPEC: PRODUKTSPEZ. APPLICATION SPEC: VERARBEITUNGSSPEZ.							SIZE: A1 CASE CODE: 00779 DRAWING NO.: 965369	RESTRICTED TO WORK: - SCALE: 5:1 SHEET: 1 OF 1 REV: C