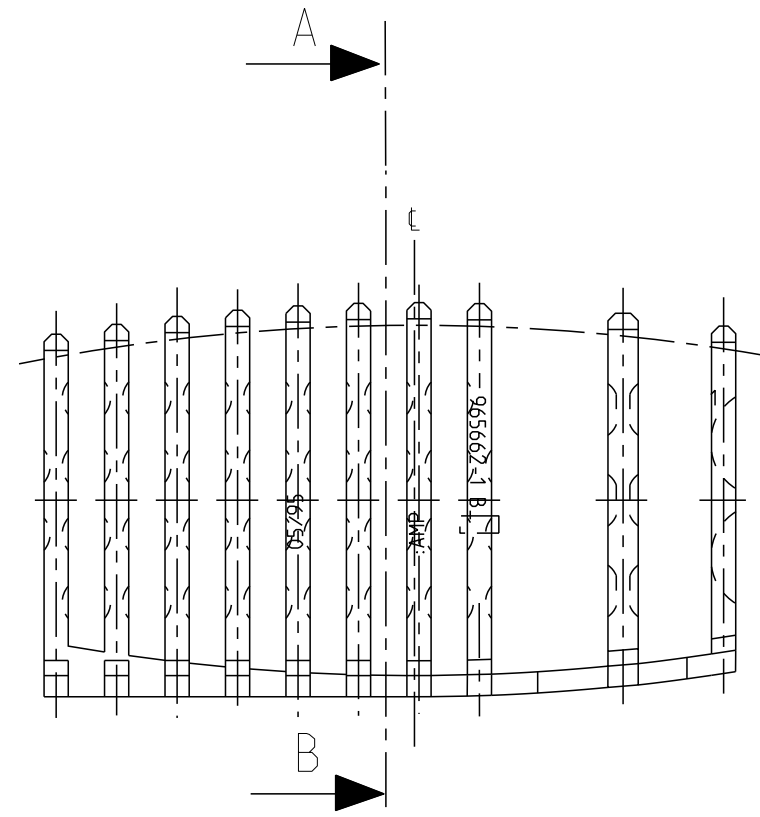
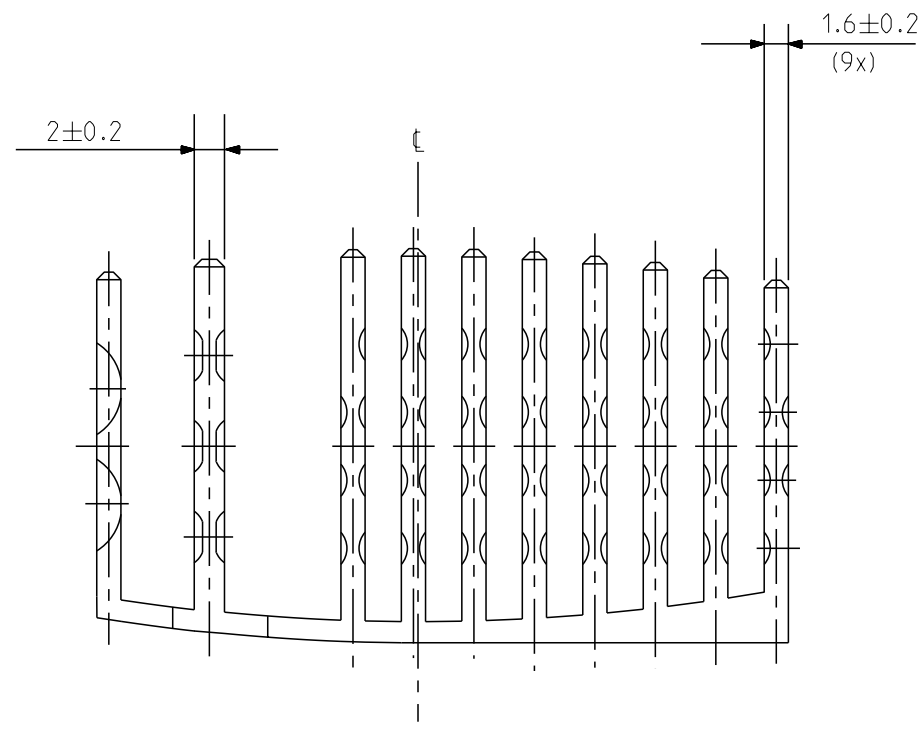


THIS DRAWING IS UNPUBLISHED. RELEASED FOR PUBLICATION
 © COPYRIGHT copyright_date BY TE CONNECTIVITY ALL RIGHTS RESERVED.

REVISIONS					
P	LTR	DESCRIPTION	DATE	DWN	APVD
B		DRAWING REWORKED	19-JUN-95	MK	-
B1		DWG. UPDATED	27-SEP-95	AM	-
B2		COLOUR CHANGED FROM YELLOW TO BLACK	24-JAN-96	MK	-
B3		E-18-019961	21DEC2018	KC	SH

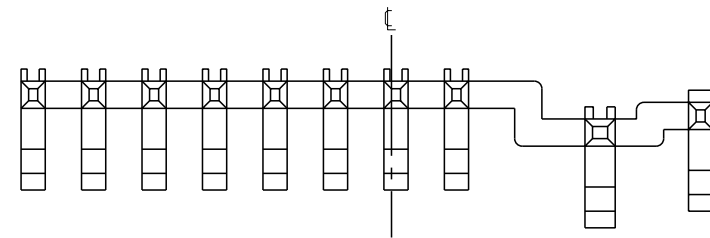
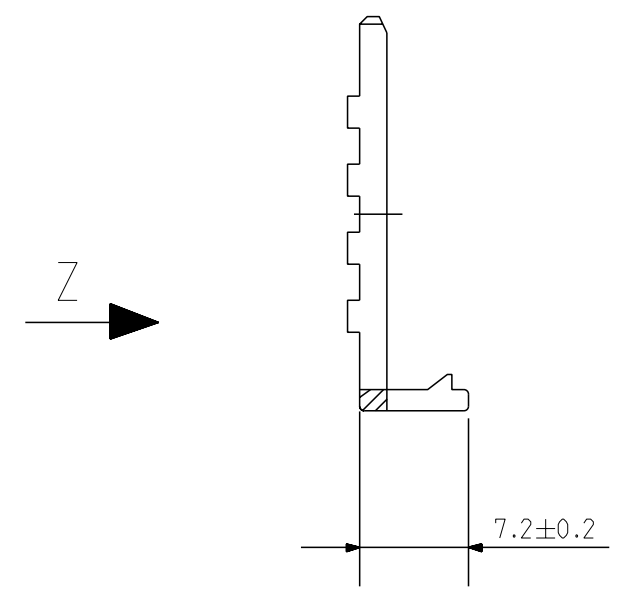


Ansicht "Z"
VIEW "z"




Schnitt
SECTION

A-B



965662-1	B	1	RETAINER	PBT GF20	BLACK
BESTELL-NR.	REV.	STÜCK	BENENNUNG EINZELTEIL	WERKSTOFF	OBERFLÄCHE FARBE

THIS DRAWING IS A CONTROLLED DOCUMENT.		DWN M.KRESSMANN 20MAR95	 TE Connectivity		
DIMENSIONS: mm		CHK A.MACHILL 22MAR95			
TOLERANCES UNLESS OTHERWISE SPECIFIED:		APVD A.MACHILL 22MAR95	NAME RETAINER FOR 42POS. REC.HSG.		
0 PLC ±		PRODUCT SPEC	SIZE		
1 PLC ±		APPLICATION SPEC	CAGE CODE		
2 PLC ±		WEIGHT	DRAWING NO		
3 PLC ±		CUSTOMER DRAWING	RESTRICTED TO		
4 PLC ±			A200779		
ANGLES ±			C-965662		
FINISH			SCALE 2:1		
			SHEET 1 OF 1		
			REV B3		