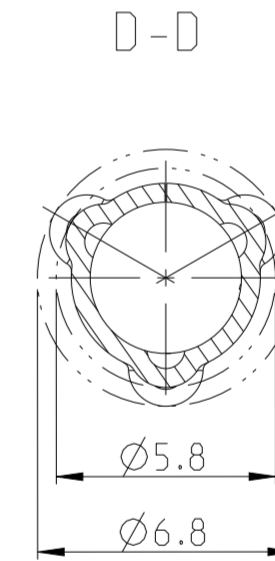
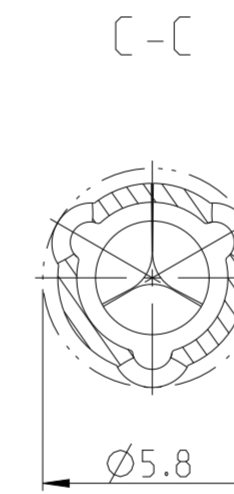
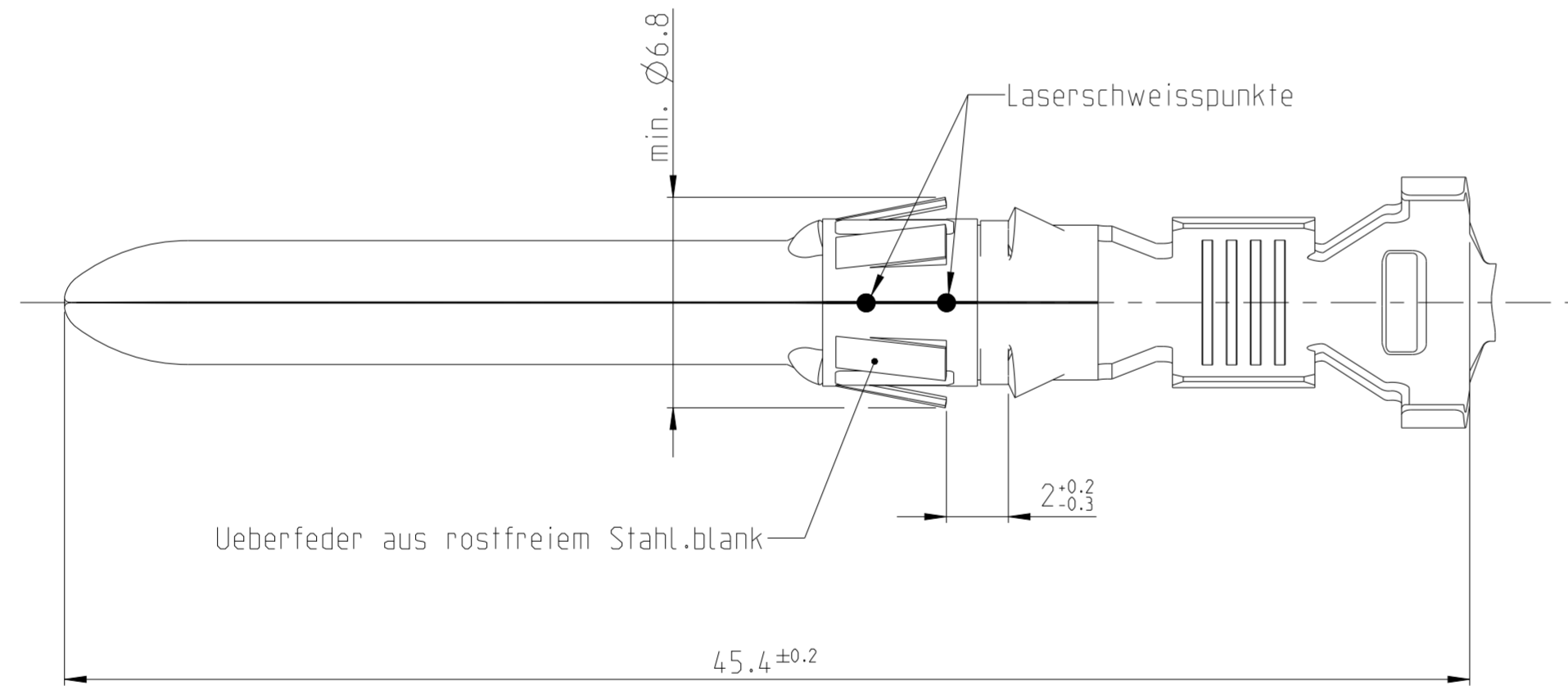
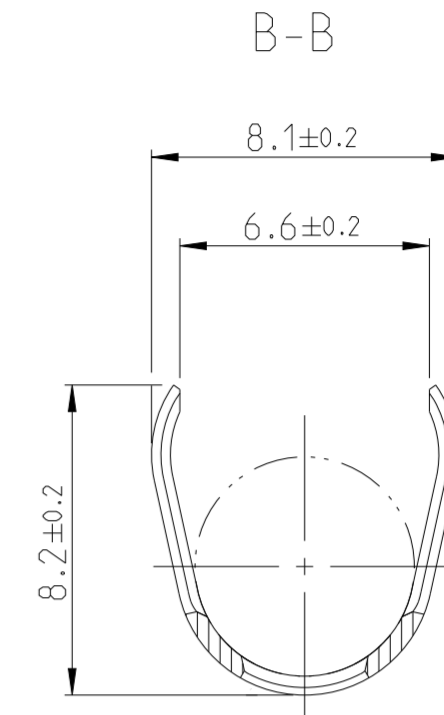
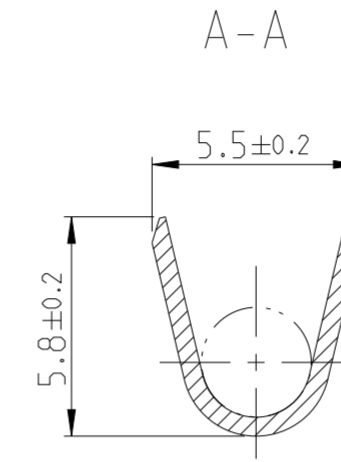
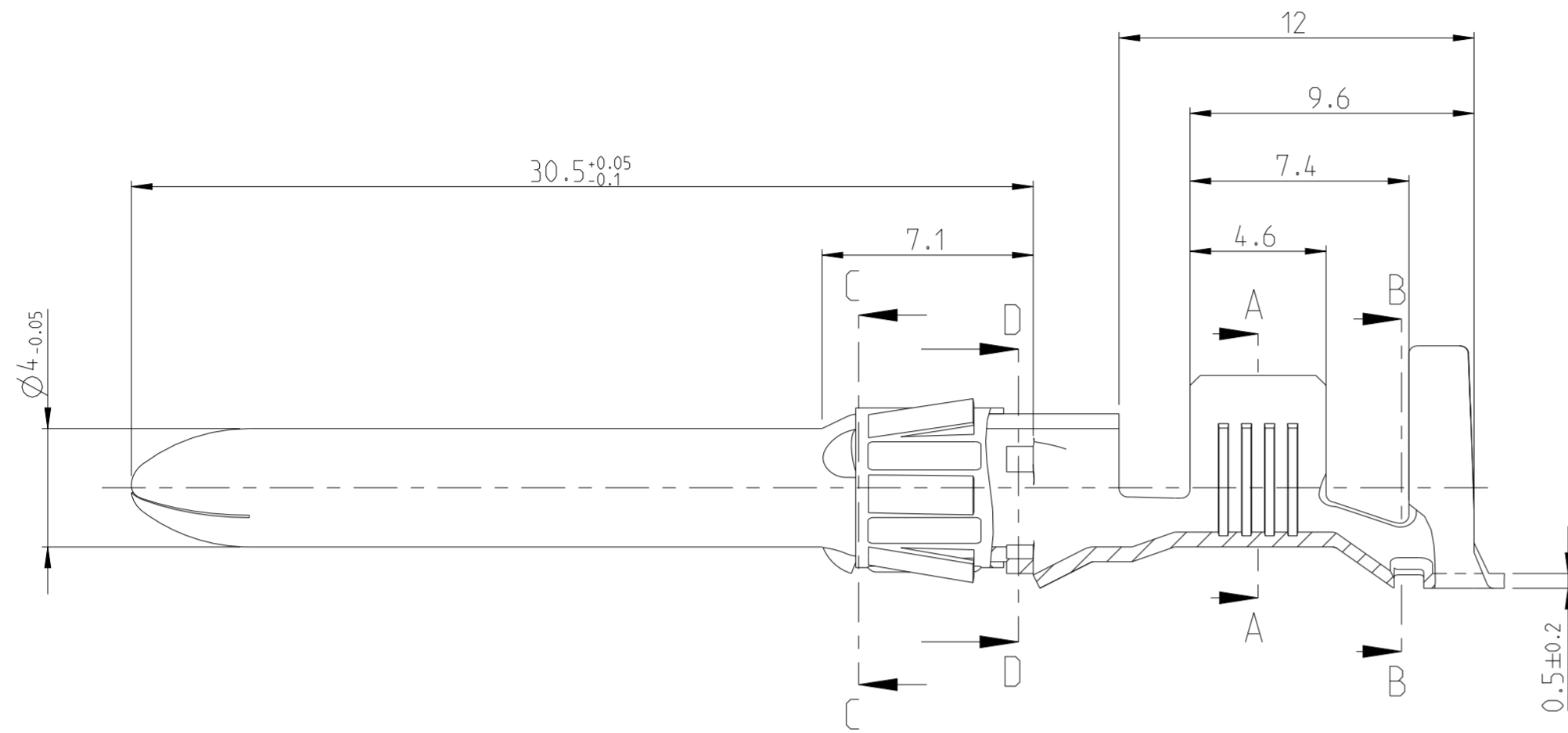
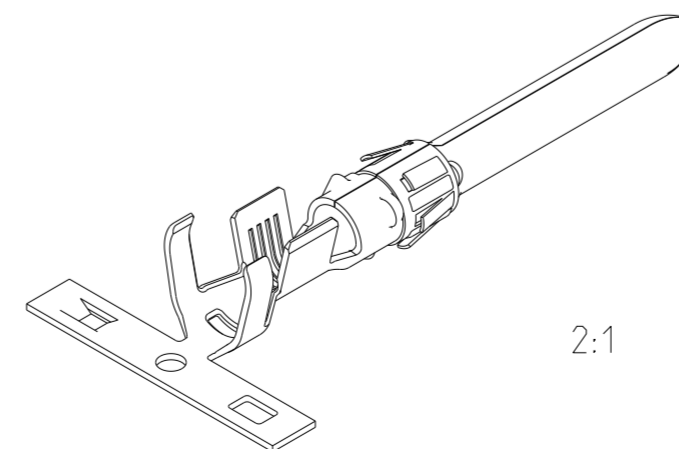


REVISIONS					
P	LTR	DESCRIPTION	DATE	DWN	APVD
	F1	AutoCAD to Creo	29JUL2019	MN	MN



- 1. Verarbeitungsspezifikation 114-18072
- 2. Produktspezifikation 108-18304



Drahtgroessenbereich: >4.0 bis 6.0mm<sup>2</sup>  
Isolationscrimp fuer Einzeldichtung

0-965865-1	0-965841-1	F
LP-NO.	PART NO.	REV.

THIS DRAWING IS A CONTROLLED DOCUMENT.		DWN TRAJKOV 04AUG1992	<b>STE</b> TE Connectivity													
DIMENSIONS: mm		CHK LUTSCH 04AUG1992														
TOLERANCES UNLESS OTHERWISE SPECIFIED:		APVD -	NAME DIA. 4mm PIN CONTACT DIA. 4mm Stiftkontakt													
<table border="1"> <tr> <td>Ø-PLC</td> <td>±0.15</td> </tr> <tr> <td>1-PLC</td> <td>±0.15</td> </tr> <tr> <td>2-PLC</td> <td>±0.15</td> </tr> <tr> <td>3-PLC</td> <td>±0.15</td> </tr> <tr> <td>4-PLC</td> <td>±0.15</td> </tr> <tr> <td>ANGLES</td> <td>±2°</td> </tr> </table>		Ø-PLC	±0.15	1-PLC	±0.15	2-PLC	±0.15	3-PLC	±0.15	4-PLC	±0.15	ANGLES	±2°	PRODUCT SPEC -	SIZE A2	
Ø-PLC	±0.15															
1-PLC	±0.15															
2-PLC	±0.15															
3-PLC	±0.15															
4-PLC	±0.15															
ANGLES	±2°															
MATERIAL CuNiZn		APPLICATION SPEC -	CAGE CODE 00779	DRAWING NO 0-965841												
FINISH BLANK		WEIGHT -	RESTRICTED TO													
		CUSTOMER DRAWING	SCALE 5:1	SHEET 1 OF 1												
				REV F1												