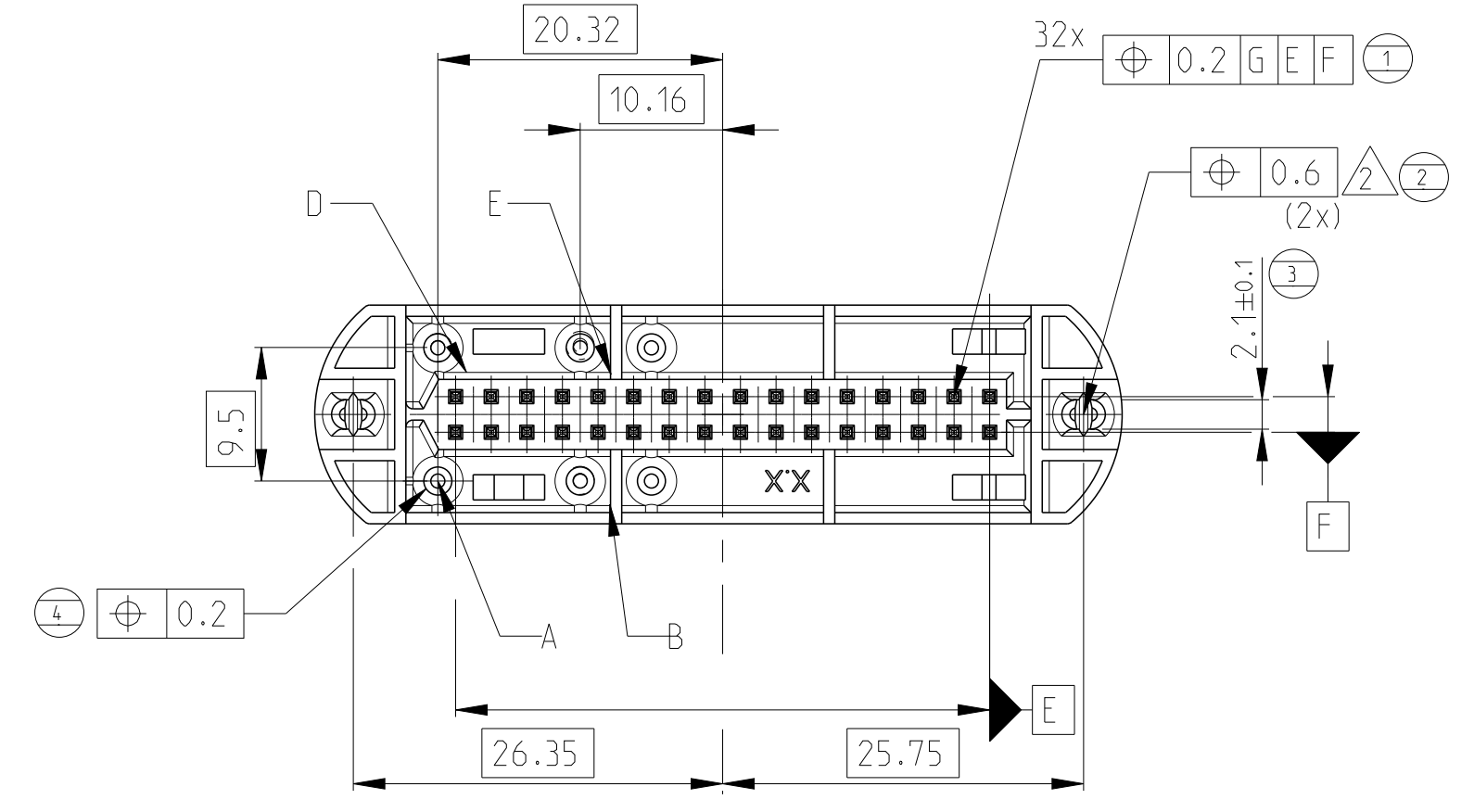
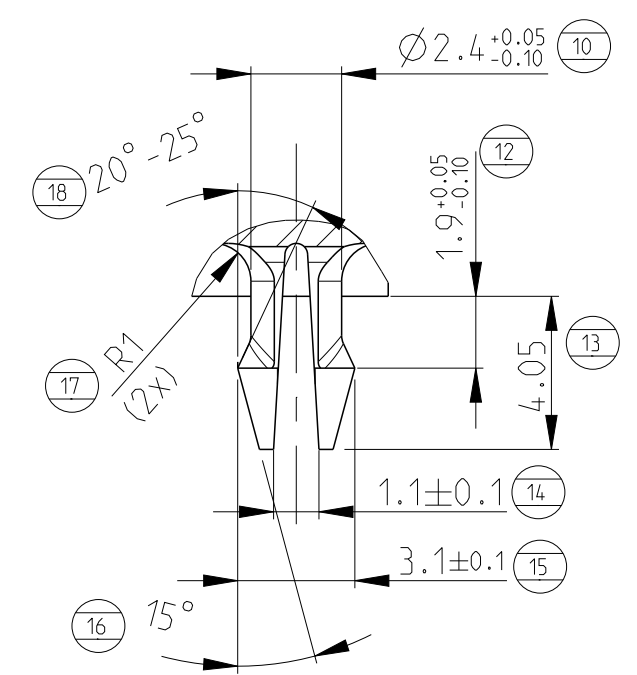


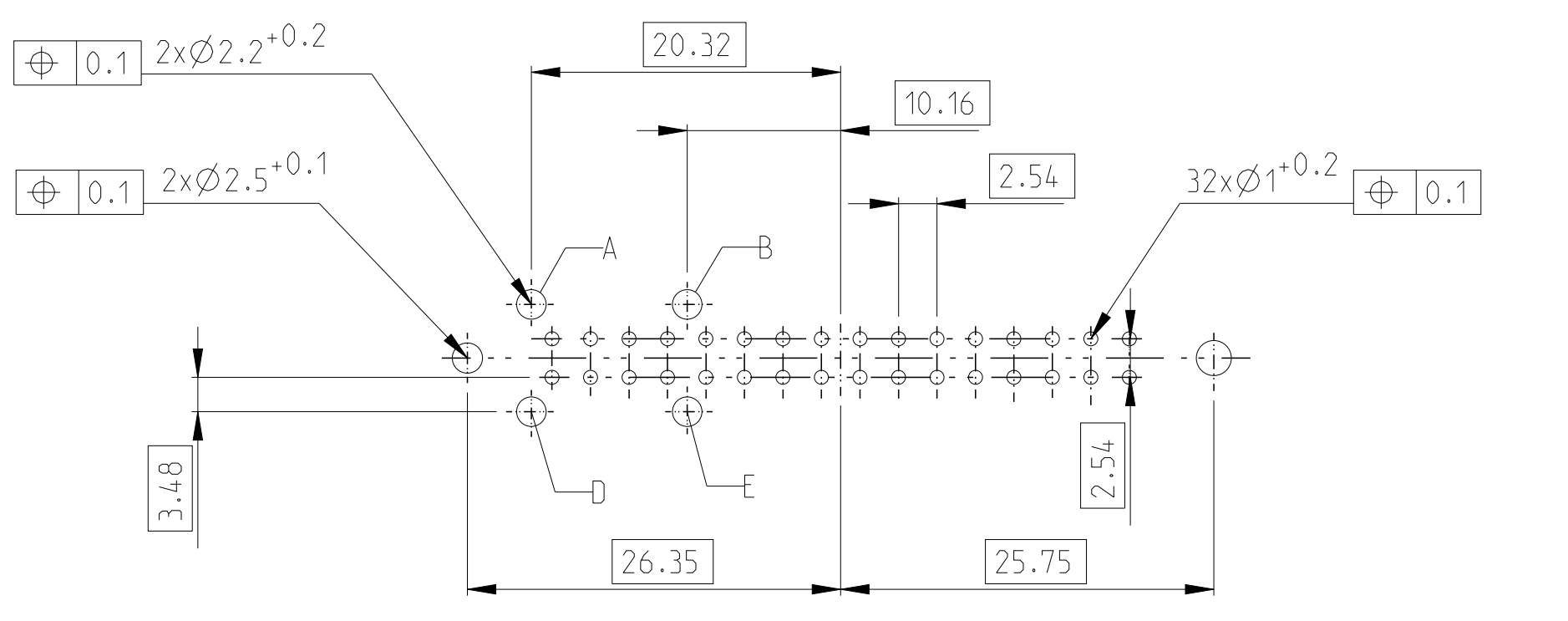
CODING A-F SHOWN
Kodierung A-F gezeichnet



DETAIL "Y"
Einzelheit "Y"
M 5:1



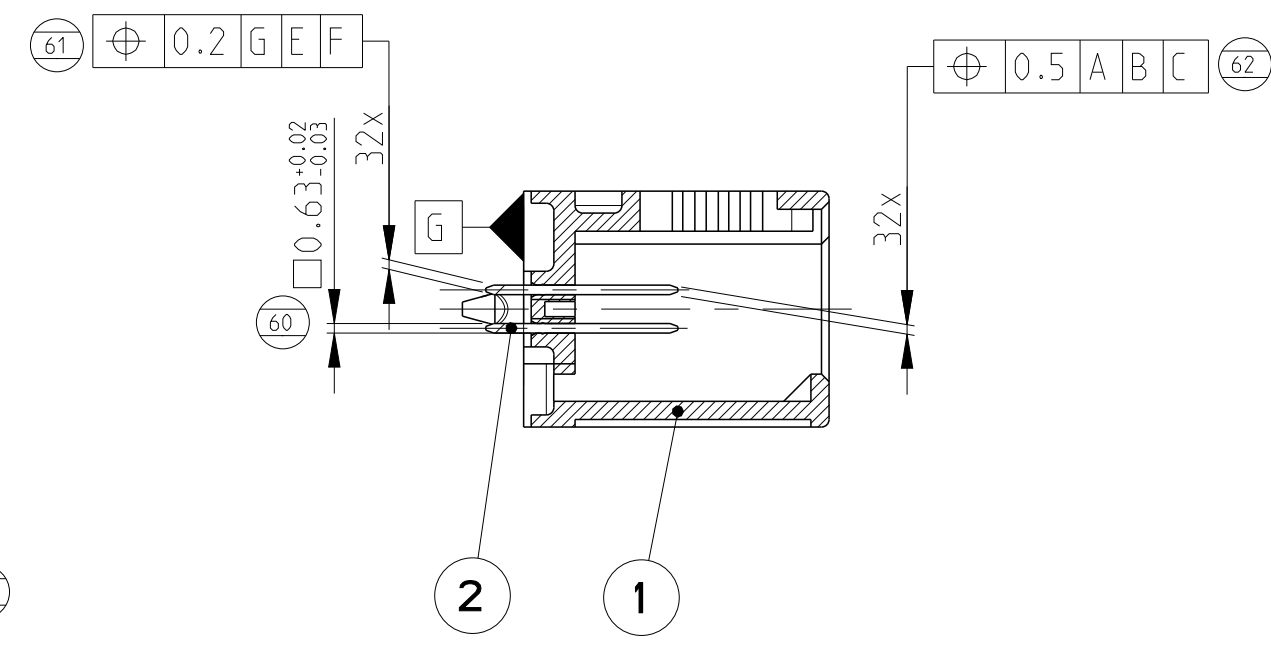
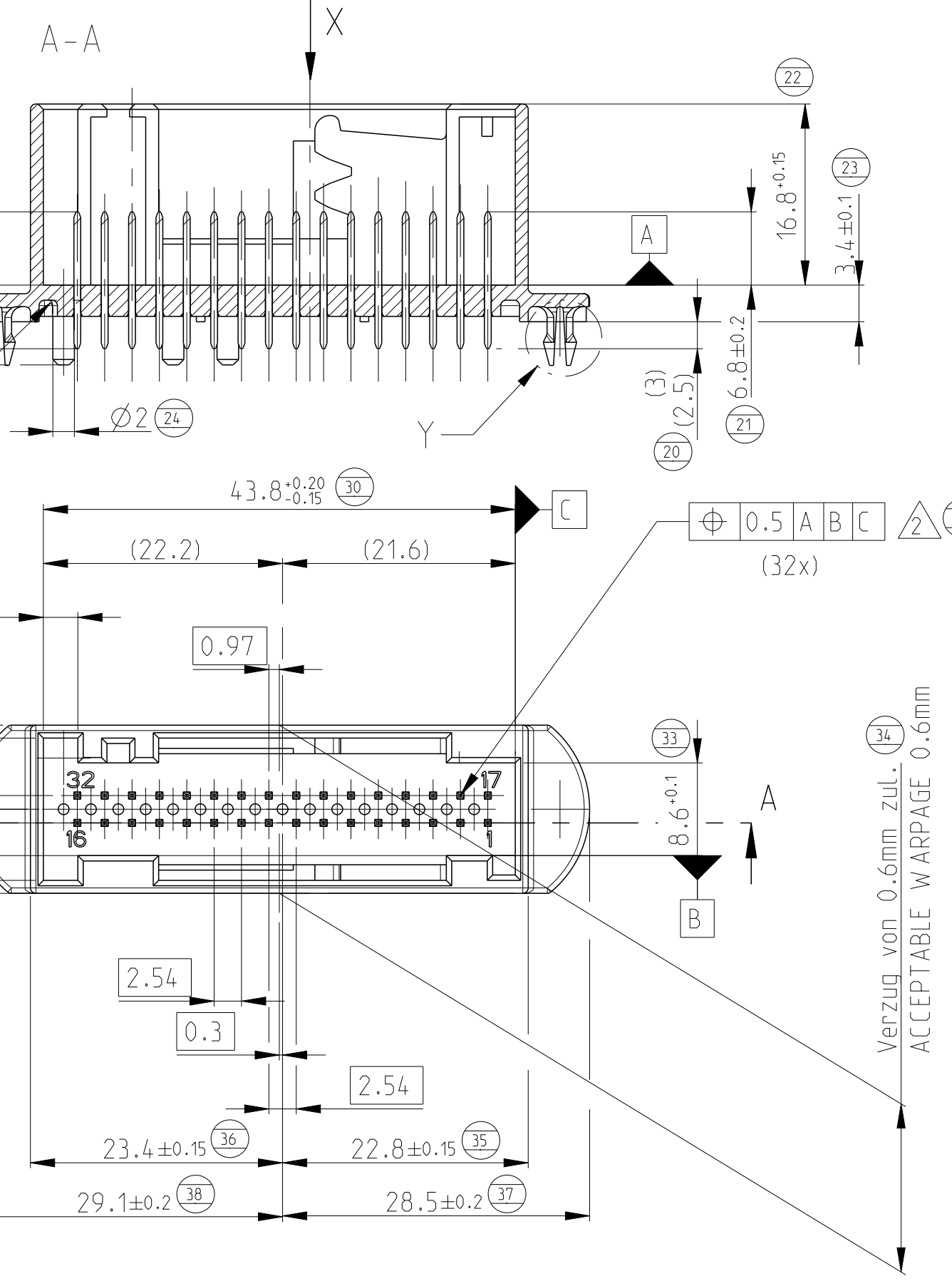
RECOMMENDED PCB LAYOUT
Empfohlenes Leiterplatten Bohrbild



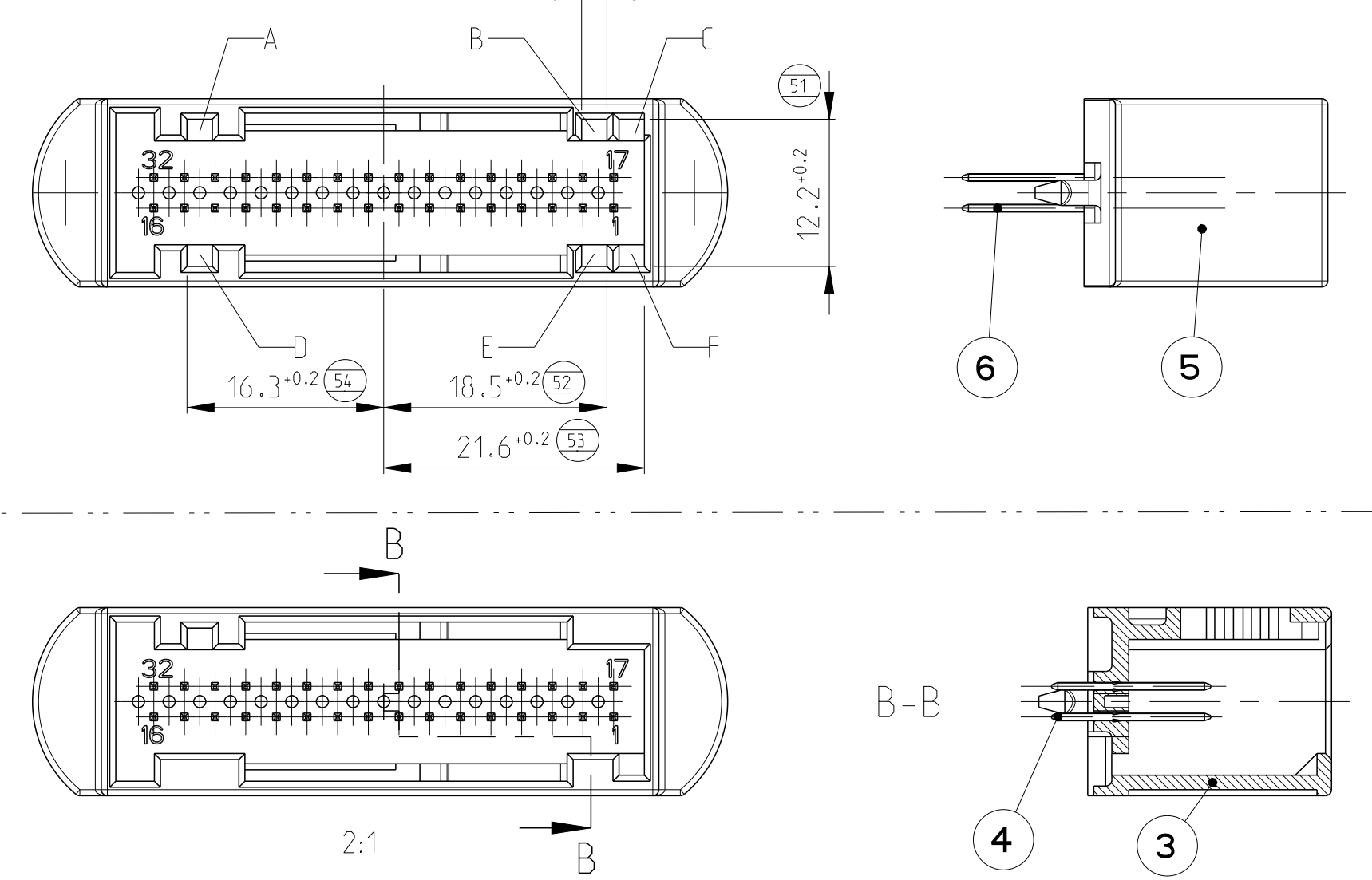
LOC	DIST	REVISONS	DATE	DWN	APVD
A1	-	ÄNDERUNGEN			
		DESCRIPTION			
		REVISIONS			
		ÄNDERUNGEN			
		DESCRIPTION			
		REVISIONS			
		ÄNDERUNGEN			
		DESCRIPTION			
		REVISIONS			
		ÄNDERUNGEN			
		DESCRIPTION			
		REVISIONS			
		ÄNDERUNGEN			
		DESCRIPTION			

NOTES:

- 1 THE DESIGN OF THE PCB CODING AND THE CODING SLOTS, SEE TABLE
Ausführung der Leiterplattenkodierung und der Kodiernuten, siehe Tabelle
- 2 FORM- AND POSITION TOLERANCE: "POSITION" IS VALID ONLY FOR THE APPROPRIATED POINTS
Form-und Lagetoleranz: "Position" gilt nur fuer die entsprechenden Spitzen
- 3 ONE-WAY PACKAGING: PRODUCT CARRIER IN CARDBOX
Einwegverpackung: Produkttraeger in Karton
- 4 CONTACT AREA min. 0.8 µm GOLD PLATED; SOLDER AREA MIN. 2.5 µm TIN PLATED
Kontaktbereich min. 0.8 µm vergoldet, Loetbereich min. 2.5 µm verzinkt
- 5 MULTIPLE PACKAGING HELLA: PRODUCT CARRIER IN HELLA E1-BOX MF 6320
Mehrwegverpackung HELLA: Produkttraeger in Hella E1-Behaelter MF 6320
- 6 MULTIPLE PACKAGING BOSCH: PRODUCT CARRIER IN BOSCH-BOX 6000 515 033
Mehrwegverpackung BOSCH: Produkttraeger in Bosch-Behaelter 6000 515 033
- 7 MULTIPLE PACKAGING VDO: PRODUCT CARRIER IN VDO-BOX MF 6170
Mehrwegverpackung VDO: Produkttraeger in VDO-Behaelter MF 6170
- 8 SURFACE: 2.0 µm - 4.0 µm Sn OVER 1.27 µm - 2.2 µm Ni /ELECTRO PLATED, MAT
Oberflaeche: 2.0 µm - 4.0 µm Sn ueber 1.27 µm - 2.2 µm Ni /galv. verzinkt, matt



Ansicht "X" / VIEW "X"
alle Kodierungen dargestellt
ALL CODINGS SHOWN



REV.	Dim. A (mm)	CODING		PACKAGING	MATING	SIDE	CODING		SIDE	PACKAGING	MATING	SIDE	CODING	SIDE	PACKAGING
		ABC	DEF				A	B							
F	20.3	A	B	ONE-WAY PACK.	ABC	A	A	A	A	ONE-WAY PACK.	ABC	A	A	A	A
A	13.2	C-D	D	ONE-WAY CONT. TRAY / Einweg	C-D	D	D	D	D	ONE-WAY CONT. TRAY / Einweg	C-D	D	D	D	D
B	13.2	A.C.E	E	Bosch Oversea	A.C.E	E	E	E	E	Bosch Oversea	A.C.E	E	E	E	E
B	12.7	A.C.E	E	Bosch Oversea	A.C.E	E	E	E	E	Bosch Oversea	A.C.E	E	E	E	E
B	12.7	A.C.E	E	Bosch Oversea	A.C.E	E	E	E	E	Bosch Oversea	A.C.E	E	E	E	E
B	13.2	C-D	D	Bosch Oversea	C-D	D	D	D	D	Bosch Oversea	C-D	D	D	D	D
C	12.7	A.C.E	E	Bosch	A.C.E	E	E	E	E	Bosch	A.C.E	E	E	E	E
B	13.2	C-D	D	Bosch	C-D	D	D	D	D	Bosch	C-D	D	D	D	D
D	13.2	C-D	D	VDO	C-D	D	D	D	D	VDO	C-D	D	D	D	D
C	13.2	C-D	D	VDO	C-D	D	D	D	D	VDO	C-D	D	D	D	D
C	13.2	A-F	A	VDO	A-F	A	A	A	A	VDO	A-F	A	A	A	A
F	12.7	A.C.E	E	VDO	A.C.E	E	E	E	E	VDO	A.C.E	E	E	E	E
G	12.7	C-D	D	VDO	C-D	D	D	D	D	VDO	C-D	D	D	D	D
G	12.7	A-F	A	VDO	A-F	A	A	A	A	VDO	A-F	A	A	A	A
F	13.2	A.C.E	E	Hella	A.C.E	E	E	E	E	Hella	A.C.E	E	E	E	E
F	13.2	C-D	D	Hella	C-D	D	D	D	D	Hella	C-D	D	D	D	D
F	13.2	A-F	A	Hella	A-F	A	A	A	A	Hella	A-F	A	A	A	A
D	12.7	A.C.E	E	ONE-WAY PACK.	A.C.E	E	E	E	E	ONE-WAY PACK.	A.C.E	E	E	E	E
C	13.2	C-D	D	ONE-WAY PACK.	C-D	D	D	D	D	ONE-WAY PACK.	C-D	D	D	D	D
C	13.2	A-F	A	ONE-WAY PACK.	A-F	A	A	A	A	ONE-WAY PACK.	A-F	A	A	A	A
D	13.2	A.C.E	E	ONE-WAY PACK.	A.C.E	E	E	E	E	ONE-WAY PACK.	A.C.E	E	E	E	E
D	13.2	C-D	D	ONE-WAY PACK.	C-D	D	D	D	D	ONE-WAY PACK.	C-D	D	D	D	D
D	13.2	A-F	A	ONE-WAY PACK.	A-F	A	A	A	A	ONE-WAY PACK.	A-F	A	A	A	A
F	12.7	A.C.E	E	ONE-WAY PACK.	A.C.E	E	E	E	E	ONE-WAY PACK.	A.C.E	E	E	E	E
G	12.7	C-D	D	ONE-WAY PACK.	C-D	D	D	D	D	ONE-WAY PACK.	C-D	D	D	D	D
G	12.7	A-F	A	ONE-WAY PACK.	A-F	A	A	A	A	ONE-WAY PACK.	A-F	A	A	A	A
F	13.2	A.C.E	E	ONE-WAY PACK.	A.C.E	E	E	E	E	ONE-WAY PACK.	A.C.E	E	E	E	E
G	13.2	C-D	D	ONE-WAY PACK.	C-D	D	D	D	D	ONE-WAY PACK.	C-D	D	D	D	D
G	13.2	A-F	A	ONE-WAY PACK.	A-F	A	A	A	A	ONE-WAY PACK.	A-F	A	A	A	A
E	13.2	C-D	D	ONE-WAY PACK.	C-D	D	D	D	D	ONE-WAY PACK.	C-D	D	D	D	D
F	13.2	A-F	A	ONE-WAY PACK.	A-F	A	A	A	A	ONE-WAY PACK.	A-F	A	A	A	A
E	13.2	A-F	A	ONE-WAY PACK.	A-F	A	A	A	A	ONE-WAY PACK.	A-F	A	A	A	A

REV	POS	PCS	DESCRIPTION	REV	MATERIAL	FINISH/SURFACE	REMARKS
6	32	AMPMODU MODU II	Stift	□0.63	H	CuSn6	
4	32	AMPMODU MODU II	Stift	□0.63	A	CuSn6	pre tin
2	32		Kontaktstift	B	CuZn30		pre tin
2	32		Kontaktstift	B	CuZn30		pre tin
	3	1	32pol. Stiflwanne	E	PBT-GF15	blue	5012
	X	3	32pol. Stiflwanne	E	PBT-GF15	green	6018
	1	1	32pol. Stiflwanne	F	PBT-GF15	blue	5010
	1	1	32pol. Stiflwanne	F	PBT-GF15	green	6018
	X	1	32pol. Stiflwanne	C	PA6T/61-GF30	grey	7036
	X	1	32pol. Stiflwanne	C	PA6T/61-GF30	blue	5012
	X	1	32pol. Stiflwanne	C	PA6T/61-GF30	green	6018
	X	1	32pol. Stiflwanne	F	PBT-GF15	grey	7036
X		5	32pol. Stiflwanne	G	PBT-GF15	violet	4006
		1	32pol. Stiflwanne	F	PBT-GF15	blue	5012
		1	32pol. Stiflwanne	F	PBT-GF15	green	6018

THIS DRAWING IS A CONTROLLED DOCUMENT. DIMENSIONS: MILLIMETERS. MATERIAL: -. FINISH/SURFACE: -. WEIGHT: 7.4g. Customer Drawing. DATE: 29AUG1995. CHK: B Kirsch. NAME: PIN HEADER, ASSY. 2x16 POS. Stiflleiste, ASSY. 2x16 polig. SIZE: A1. 00779. SCALE: MASSSTAB 5:1. SHEET: 1 OF 1. REV: G4.