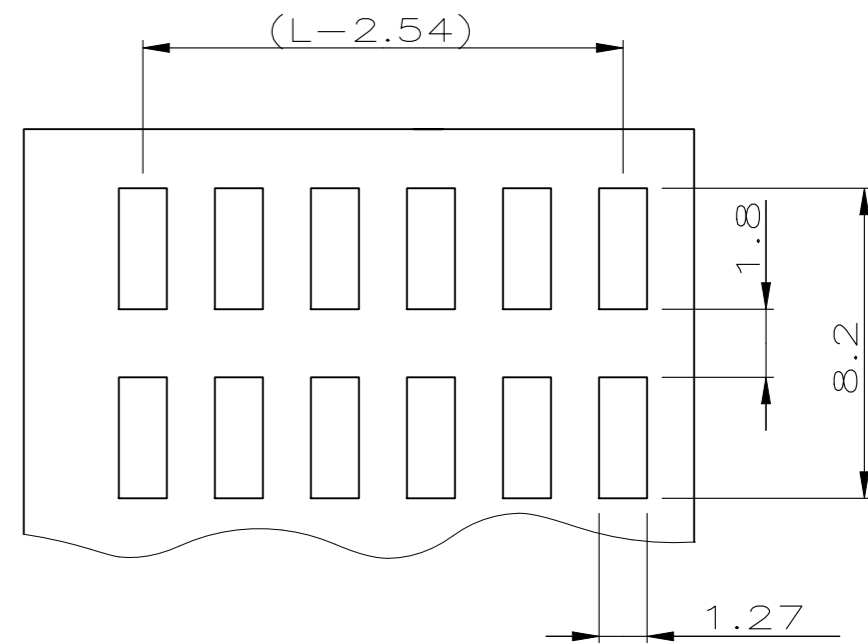
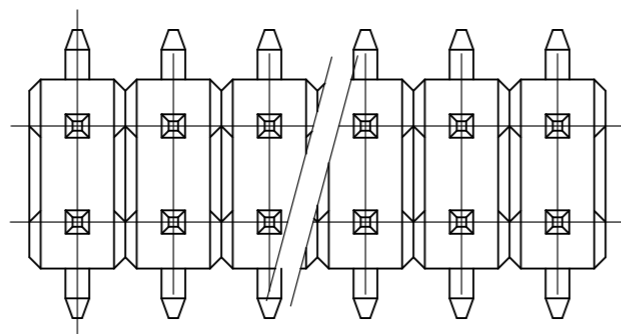
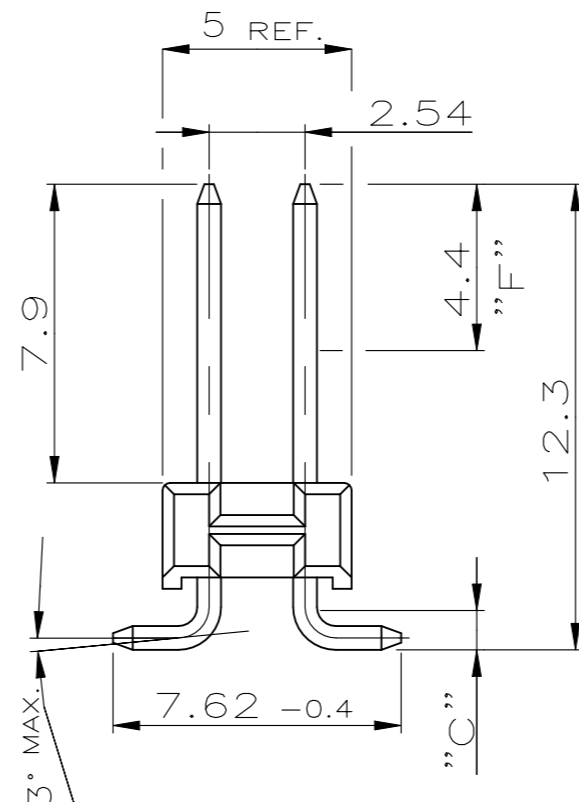
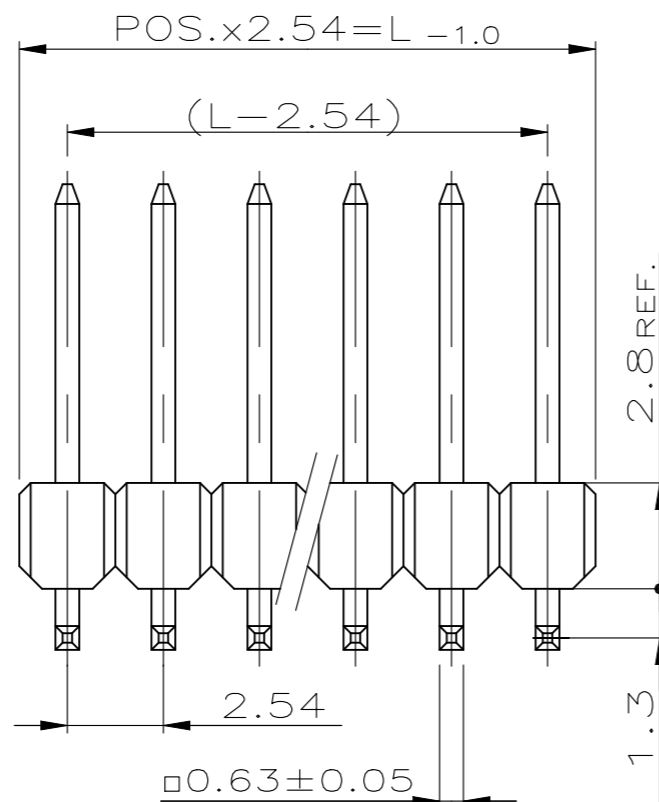


REVISIONS					
P	LTR	DESCRIPTION	DATE	DWN	APVD
	C	RESIN SUPPLIER CHANGE FOR THE HOUSING	30MAY2022	SCB	PS

POS. PER ROW	L - 1.0	PART NO.
2	5.08	966711-2
3	7.62	966711-3
4	10.16	966711-4
5	12.70	966711-5
6	15.24	966711-6
7	17.78	966711-7
8	20.32	966711-8
9	22.86	966711-9
10	25.40	966711-0
11	27.94	966711-1
12	30.48	966711-2
13	33.02	966711-3
14	35.56	966711-4
15	38.10	966711-5



RECOMMENDED PCB-LAYOUT

NOTES:

1 MATING SIDE: AREA "F" MIN. 0.7µm PdNi+MIN.0.1µm GOLD FLASH  
 UNDERPLATE MIN. 1.27µm NICKEL  
 SOLDER SIDE: AREA "C" 3.0 TO 5.0µm TIN OVER MIN. 1.27µm NICKEL

2 PACKAGING:  
 PIN HEADER PACKED IN TUBE: SEE DRAWING 966579  
 PIN HEADER PACKED IN BLISTER: SEE DRAWING 1241148

3 OBSOLETE PARTS: OBSOLETE CIS STREAMLINING PER D.RENAUD/D.SINISI

CONTACT PIN	CuZn	1
HOUSING	PCT-GF	BLACK
DESCRIPTION	MATERIAL	FINISH/ COLOR

THIS DRAWING IS A CONTROLLED DOCUMENT.	
DIMENSIONS: mm	TOLERANCES UNLESS OTHERWISE SPECIFIED: ±0.2
	0 PLC ± - 1 PLC ± - 2 PLC ± - 3 PLC ± - 4 PLC ± - ANGLES ± -
MATERIAL	FINISH
-	-

DWN F.REICHARDT 25-OCT-94	<b>STE</b> TE Connectivity			
CHK M.SCHAARSCHMIDT 25-OCT-94				
APVD -	NAME			
PRODUCT SPEC 108-18012	AMPMODU II PIN HEADER, DUAL ROW, SMD-VERSION			
APPLICATION SPEC -	SIZE	CAGE CODE	DRAWING NO	RESTRICTED TO
WEIGHT -	A3	00779	C-966711	-
CUSTOMER DRAWING	SCALE 5:1	SHEET 1 OF 1	REV C	