

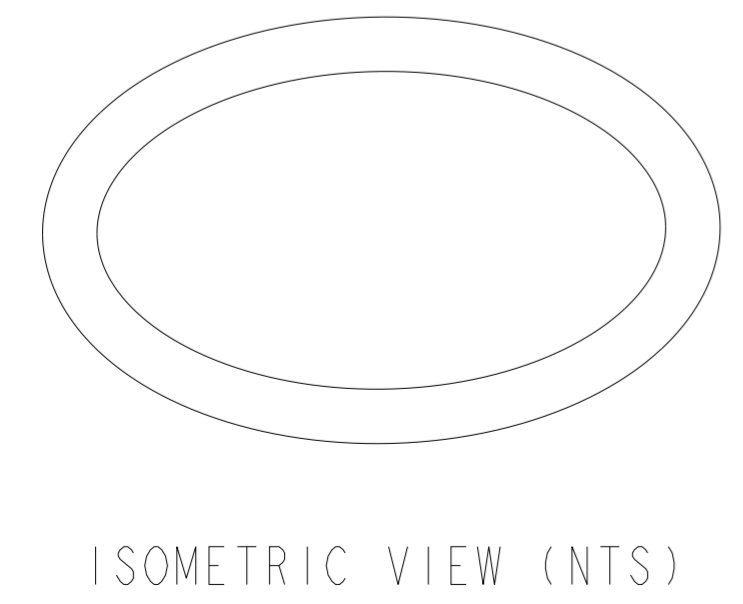
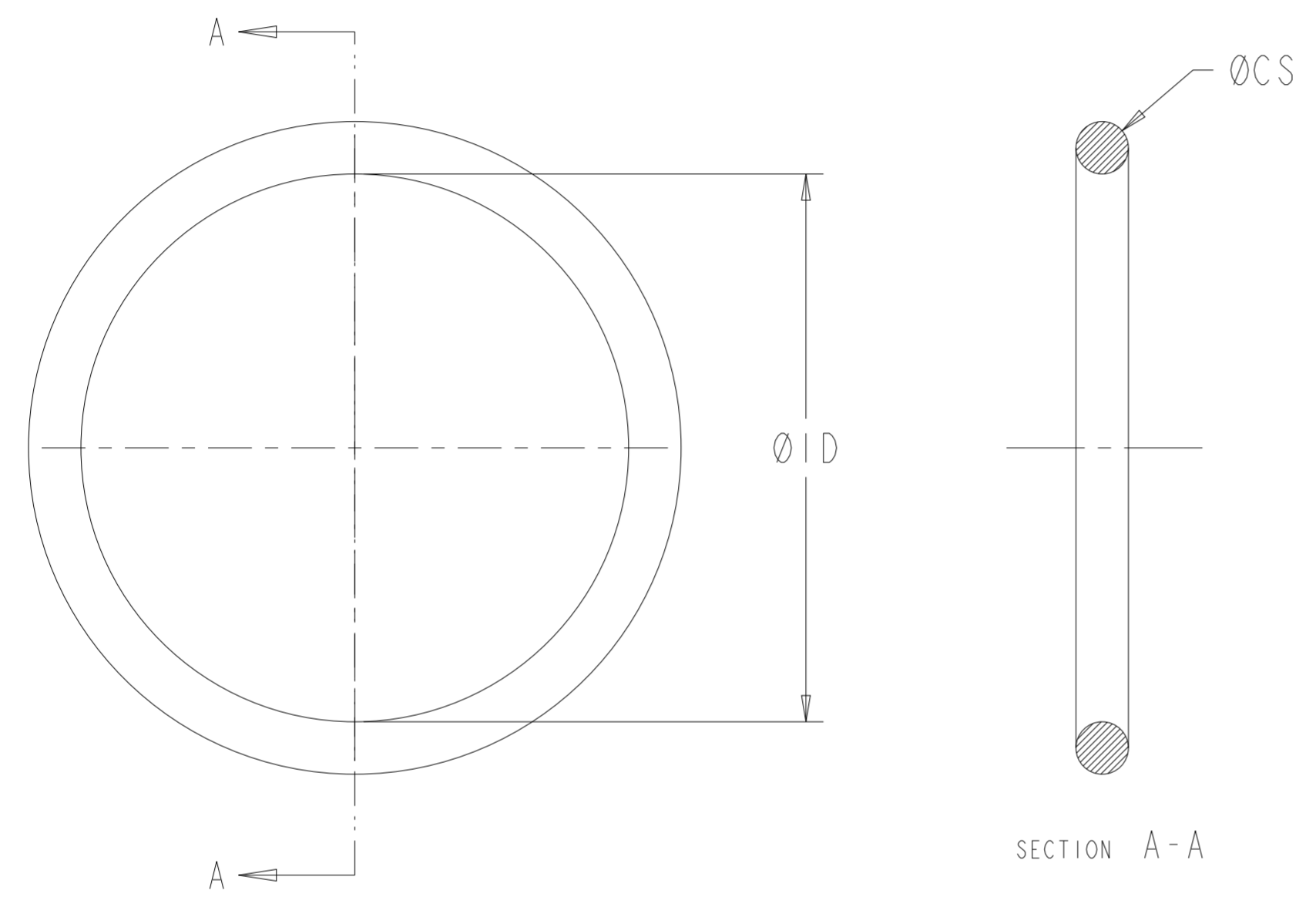
MATERIAL SPECIFIC DATA TABLE

TEST SPECIFICATION / MATERIAL CODE	SILICONE NICKEL GRAPHITE (SNG)	SILICONE SILVER ALUMINIUM (SSA)	FLUOROSILICONE NICKEL GRAPHITE (FNG)	FLUOROSILICONE SILVER ALUMINIUM (FSA)
RECOMMENDED OPERATING TEMPERATURE RANGE (°C)	-55 to 160	-55 to 160	-55 to 160	-55 to 160
SPECIFIC GRAVITY ± 13%	2.000	2.000	2.200	2.000
SHORE A HARDNESS ± 7	65	65	65	70
MAXIMUM VOLUME RESISTIVITY (Ω.CM)	0.05	0.008	0.05	0.012

REVISIONS				
P	LTR	DESCRIPTION	DATE	APVD
	A	NEW DRAWING	15SEP2022	BDA DH

NOTE:

- 1 ALIAS PART NUMBER WITH "99" RELATE TO MIL-DTL-81511 ONLY
- 2 ALIAS PART NUMBER WITH "98" RELATE TO MIL-DTL-81511 AND MIL-DTL-38999



MIL SPEC.	MATERIAL	SHELL SIZE	COLOUR	ØCS	ØID	ALIAS PART NUMBER	PART NUMBER
	FSA	25	LIGHT GREEN	2.6±0.13	47.3±0.38	98-22044-1	2430220-1
	FSA	25	LIGHT GREEN	2.6±0.13	47.3±0.38	98-22044	2430136-1
	FSA	17/18	LIGHT GREEN	1.8±0.1	34.7±0.25	98-22040-1	2430216-1
	FSA	17/18	LIGHT GREEN	1.8±0.1	34.7±0.25	98-22040	2430132-1
	FSA	15/16	LIGHT GREEN	1.8±0.1	31.5±0.25	98-22039-1	2430215-1
	FSA	15/16	LIGHT GREEN	1.8±0.1	31.5±0.25	98-22039	2430131-1
	FSA	13/14	LIGHT GREEN	1.8±0.1	28.3±0.25	98-22038-1	2430214-1
	FSA	13/14	LIGHT GREEN	1.8±0.1	28.3±0.25	98-22038	2430130-1
	FSA	9/10	LIGHT GREEN	1.8±0.1	22.0±0.25	99-22008	2430228-1
	FSA	8	LIGHT GREEN	1.8±0.1	18.8±0.25	99-22007	2430227-1
	SSA	25	BEIGE	2.6±0.13	47.3±0.38	98-22033-1	2430209-1
	SSA	25	BEIGE	2.6±0.13	47.3±0.38	98-22033	2430125-1
	SSA	17/18	BEIGE	1.8±0.1	34.7±0.25	98-22029-1	2430205-1
	SSA	17/18	BEIGE	1.8±0.1	34.7±0.25	98-22029	2430121-1
	SSA	15/16	BEIGE	1.8±0.1	31.5±0.25	98-22028-1	2430204-1
	SSA	15/16	BEIGE	1.8±0.1	31.5±0.25	98-22028	2430120-1
	SSA	13/14	BEIGE	1.8±0.1	28.3±0.25	98-22027-1	2430203-1
	SSA	13/14	BEIGE	1.8±0.1	28.3±0.25	98-22027	2430119-1
	SSA	9/10	BEIGE	1.8±0.1	22.0±0.25	99-22006	2430226-1
	SSA	8	BEIGE	1.8±0.1	18.8±0.25	99-22005	2430225-1
	FNG	25	DARK GREEN	2.6±0.13	47.3±0.38	98-22022-1	2430198-1
	FNG	25	DARK GREEN	2.6±0.13	47.3±0.38	98-22022	2430114-1
	FNG	17/18	DARK GREEN	1.8±0.1	34.7±0.25	98-22018-1	2430194-1
	FNG	17/18	DARK GREEN	1.8±0.1	34.7±0.25	98-22018	2430110-1
	FNG	15/16	DARK GREEN	1.8±0.1	31.5±0.25	98-22017-1	2430193-1
	FNG	15/16	DARK GREEN	1.8±0.1	31.5±0.25	98-22017	2430109-1
	FNG	13/14	DARK GREEN	1.8±0.1	28.3±0.25	98-22016-1	2430192-1
	FNG	13/14	DARK GREEN	1.8±0.1	28.3±0.25	98-22016	2430108-1
	FNG	9/10	DARK GREEN	1.8±0.1	22.0±0.25	99-22004	2430224-1
	FNG	8	DARK GREEN	1.8±0.1	18.8±0.25	99-22003	2430223-1
	SNG	25	DARK GREY	2.6±0.13	47.3±0.38	98-22011-1	2430187-1
	SNG	25	DARK GREY	2.6±0.13	47.3±0.38	98-22011	2430103-1
	SNG	17/18	DARK GREY	1.8±0.1	34.7±0.25	98-22007-1	2430183-1
	SNG	17/18	DARK GREY	1.8±0.1	34.7±0.25	98-22007	2430099-1
	SNG	15/16	DARK GREY	1.8±0.1	31.5±0.25	98-22006-1	2430182-1
	SNG	15/16	DARK GREY	1.8±0.1	31.5±0.25	98-22006	2430098-1
	SNG	13/14	DARK GREY	1.8±0.1	28.3±0.25	98-22005-1	2430181-1
	SNG	13/14	DARK GREY	1.8±0.1	28.3±0.25	98-22005	2430097-1
	SNG	9/10	DARK GREY	1.8±0.1	22.0±0.25	99-22002	2430222-1
	SNG	8	DARK GREY	1.8±0.1	18.8±0.25	99-22001	2430221-1

SEE NOTES

THIS DRAWING IS A CONTROLLED DOCUMENT.

DIMENSIONS: mm	TOLERANCES UNLESS OTHERWISE SPECIFIED: 0 PLC ±.1 1 PLC ±0.1 2 PLC ±0.01 3 PLC ±0.001 4 PLC ±0.0001 ANGLES ±
MATERIAL: SEE TABLE	FINISH: -

DWN: 13SEP2022 BASAVARAJU D A	CHK: 13SEP2022 B SELVAPANDIAN	APVD: 13SEP2022 D HEMMINGS	NAME: 99-SERIES-JAM-NUT-SEALS
			TE Connectivity
PRODUCT SPEC: -	APPLICATION SPEC: -	WEIGHT: -	RESTRICTED TO: -
SIZE: A2	CAGE CODE: 00779	DRAWING NO: C-99-SERIES-JAM-NUT-SEALS	SCALE: 5:1
CUSTOMER DRAWING		SHEET: 1 OF 1	REV: A