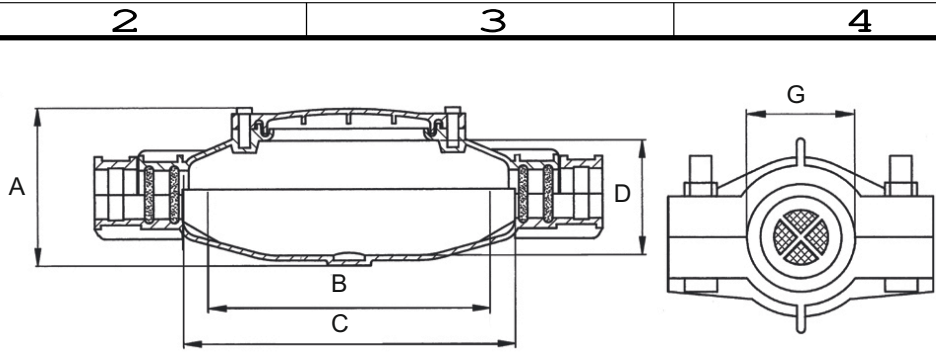
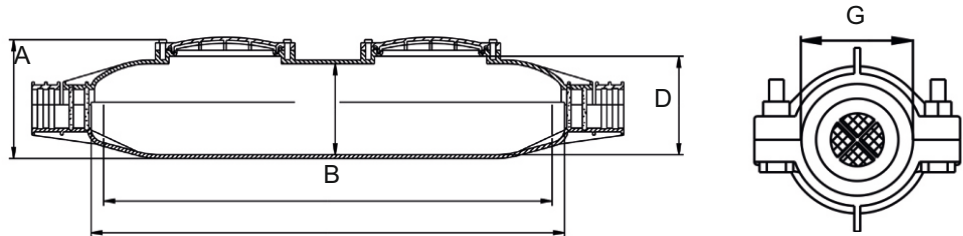


Copying of the document and giving it to other and the use or communication of the contents thereof, are forbidden without express authority. Offenders are liable to the payment of damages. All rights are reserved in the event of the grant of a patent or the registration of a utility model or design.




VMY-205/280/405/605



VMY-950

PRODUCT DIMENSIONS					
	VMY-205	VMY-280	VMY-405	VMY-605	VMY-950
A	61	96	122	198	190
B	95	130	210	400	720
C	125	170	250	440	760
D	50	70	85	150	150
E	95	126	159	223	230
F	210	284	405	605	950
G	18	27	40	60	76

Dimensions in mm

Customer Drawing							
				2020	DATE	NAME	VMY-Joints
				DRAWN	21.01.	Beckmann	
				CHECKED			
						Tyco Electronics Raychem GmbH Werk Berlin	NAMING: CD-VMY-JOINTS
REV.	MODIFICATION	DATE	N.	CAD NO.:			DRAWING NO.:
							REPLACEMENT FOR: