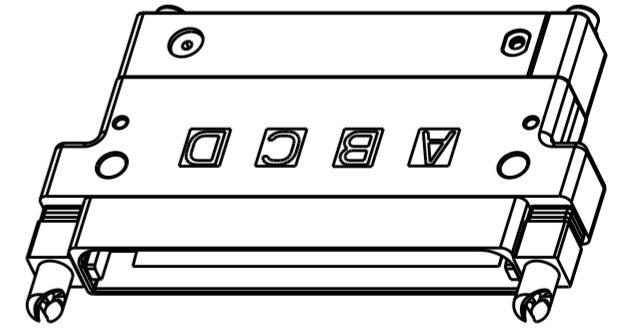
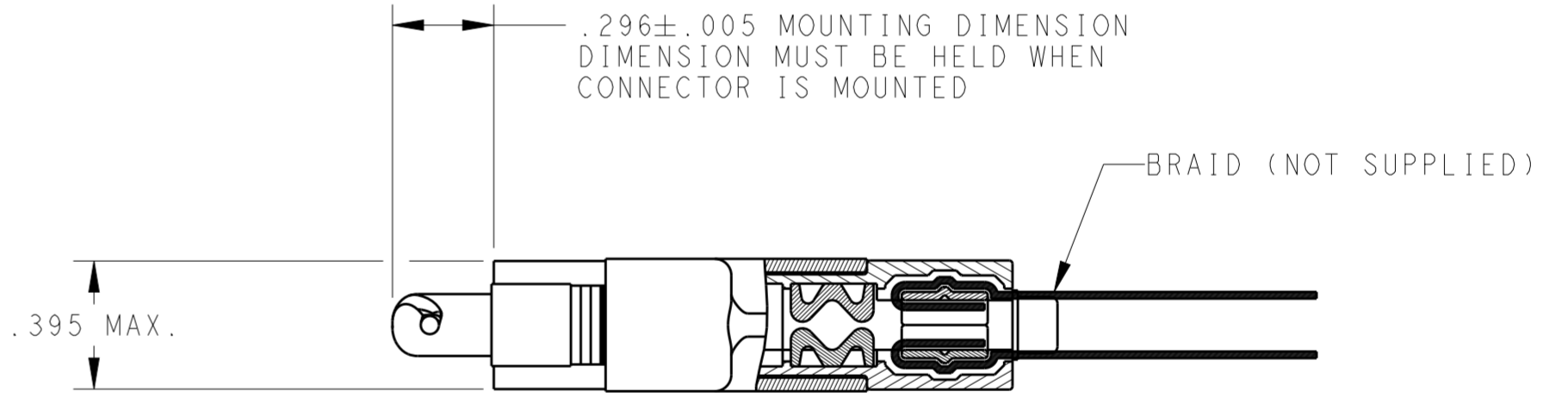
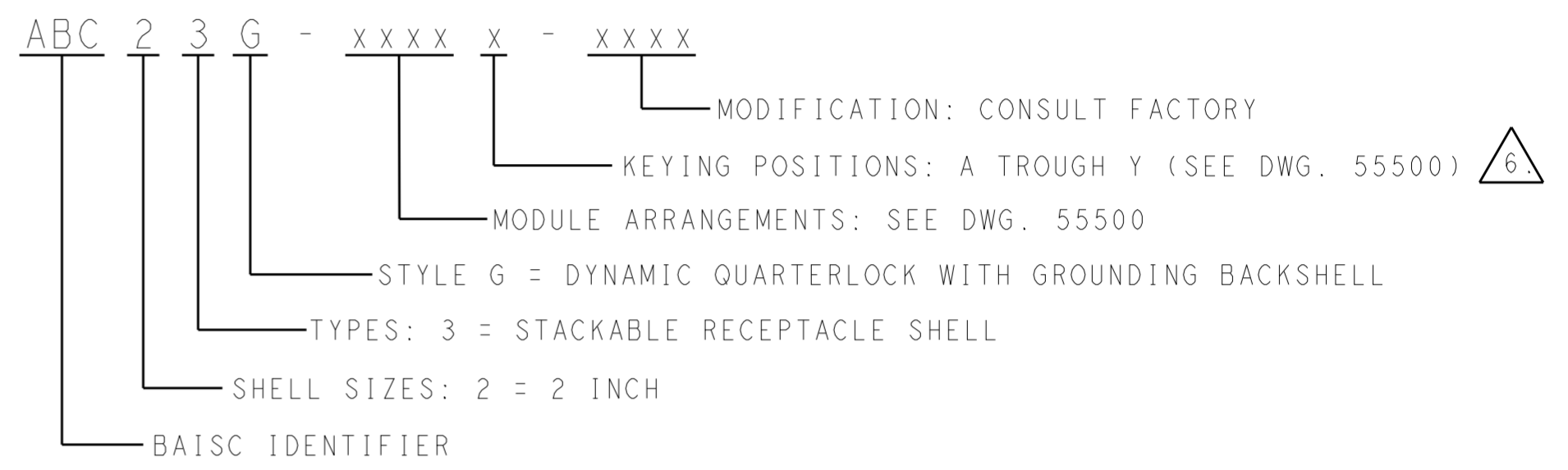
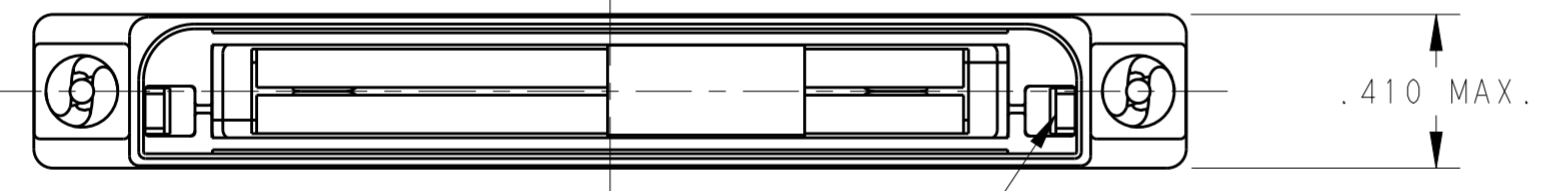
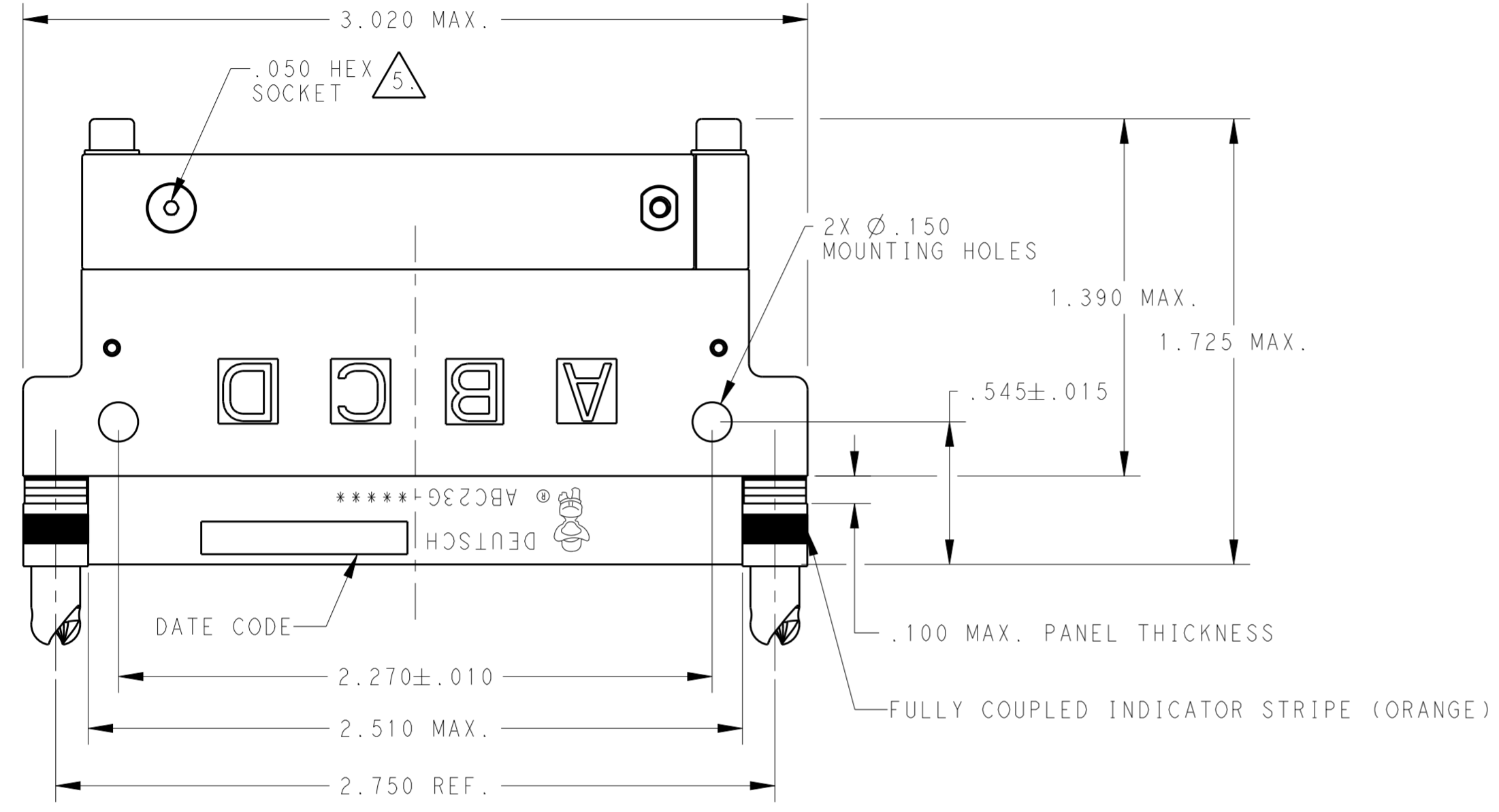
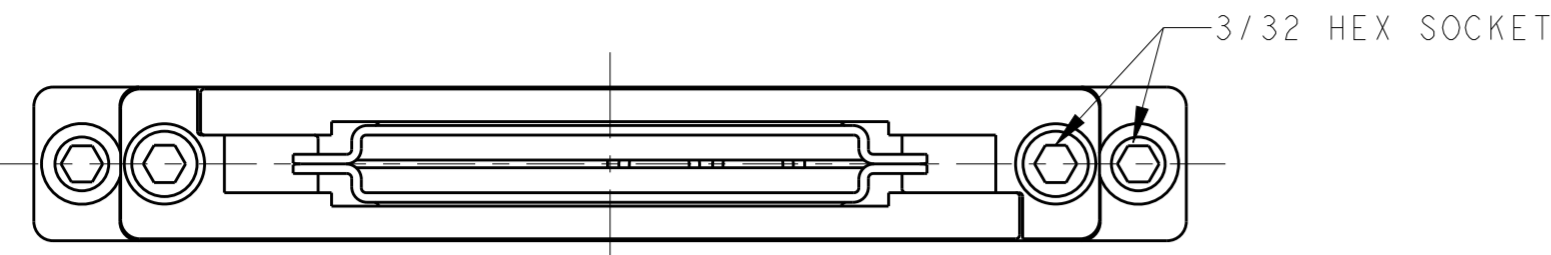


THIS DRAWING IS UNPUBLISHED. RELEASED FOR PUBLICATION 2016
 © COPYRIGHT 2016 BY TE CONNECTIVITY ALL RIGHTS RESERVED.

PROPERTY OF THE TE CONNECTIVITY
 THIS INFORMATION IS CONFIDENTIAL AND PROPERTY TO TYCO ELECTRONICS CORPORATION AND ITS WORLDWIDE SUBSIDIARIES AND AFFILIATES (TE). IT MAY NOT BE DISCLOSED TO ANYONE, OTHER THAN TE PERSONNEL, WITHOUT AUTHORIZATION FROM TE (www.TE.com).

REVISIONS				
P	LTR	DESCRIPTION	DATE	APVD
D		REVISED PER E.O D0287	120828	MA
E		REVISED PER ECO-16-014990	160826	BN AR



SCALE 1:1

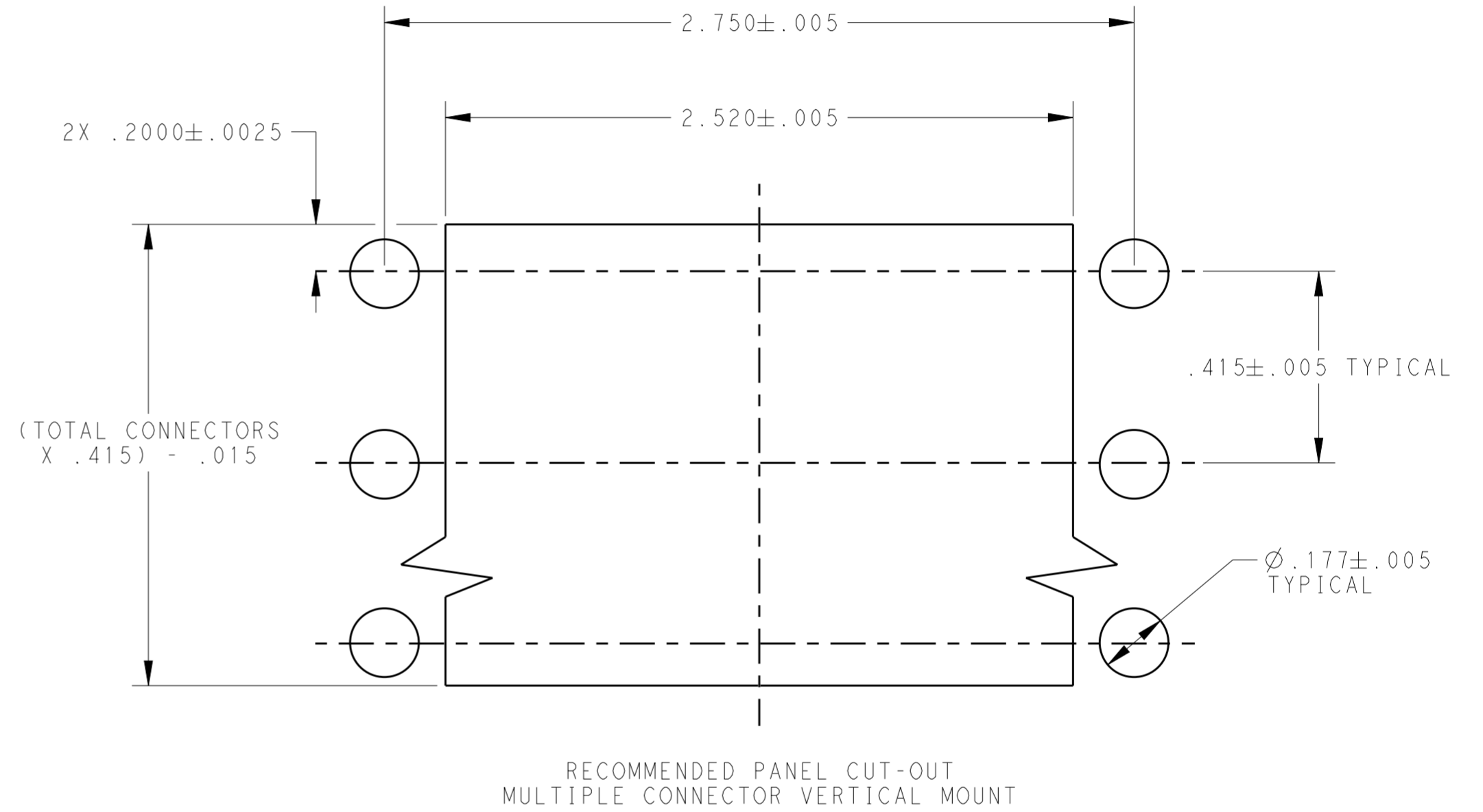
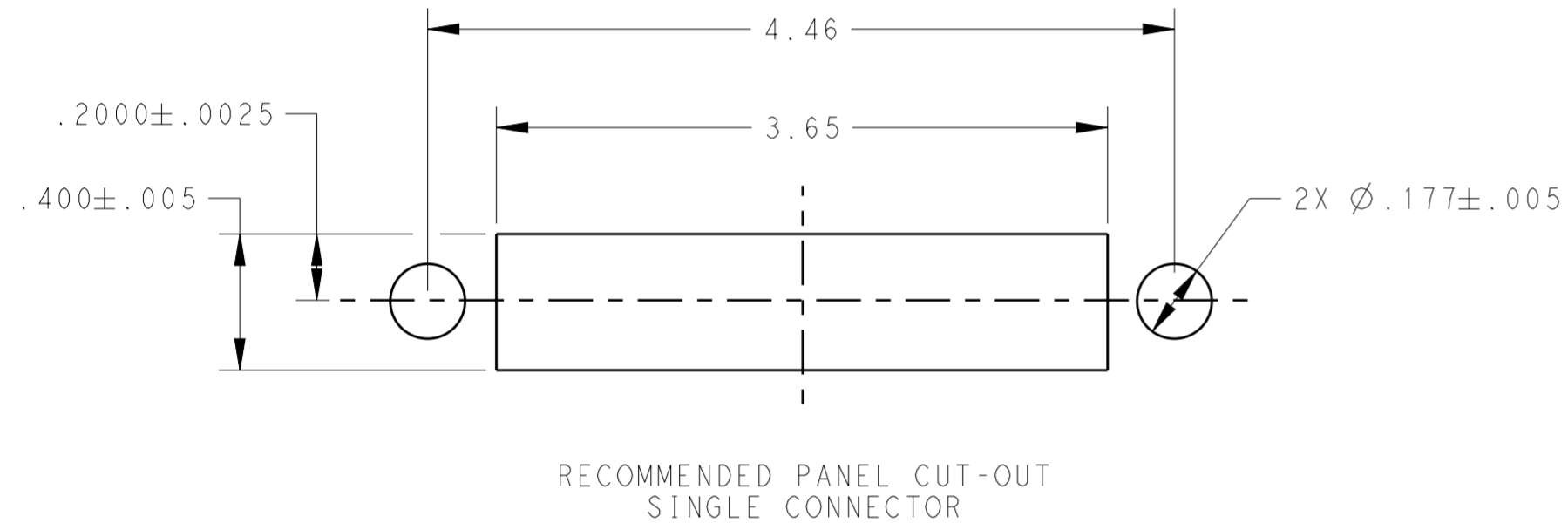
- 7. ALL MOUNTING HARDWARE SUPPLIED WITH CONNECTOR.
 - 6. WHEN NO LETTER IS CALLED OUT, KEYING PINS ARE SHIPPED LOOSE AND INSTALLED BY CUSTOMER (EXAMPLE P/N: ABC23G-1972). IF LETTER A-Y IS CALLED OUT FACTORY INSTALLS THE KEYING PINS (EXAMPLE P/N: ABC23G-1972A).
 - 5. TOOLS REQUIRED (NOT SUPPLIED): .050 INCH HEX KEY AND 3/32 INCH HEX KEY. (E)
 - 4. FINISH: SHELL - DEUTSCH SPECIAL METALIZED SURFACE. CONTACTS - GOLD OVER NICKEL
 - 3. MATERIAL: SHELL - COMPOSITE MOUNTING HARDWARE - 300 SERIES STAINLESS STEEL CONTACTS - COPPER ALLOY
 - 2. FOR AVAILABILITY, CONSULT FACTORY.
 - 1. DIMENSIONS ARE IN INCHES.
- NOTES, UNLESS OTHERWISE SPECIFIED:

THIS DRAWING IS A CONTROLLED DOCUMENT.		DWN 29AUG2016 A. RASMUSSEN	TE Connectivity	
DIMENSIONS: inches		CHK C. GARREN 050906		
TOLERANCES UNLESS OTHERWISE SPECIFIED:		APVD A. RENGIFO 120829	NAME RECEPTACLE, ABC CONNECTOR STRAIGHT GROUNDING BACKSHELL QUARTER LOCK COUPLING	
0 PLC ±		PRODUCT SPEC -	SIZE A2	
1 PLC ±		APPLICATION SPEC -	CAGE CODE 11139	
2 PLC ±		WEIGHT -	DRAWING NO C-ABC23G-XXXXX	
3 PLC ±.005		RESTRICTED TO -		
4 PLC ±		CUSTOMER DRAWING		
ANGLES ±.5		SCALE 2:1 SHEET 1 OF 2 REV E		
FINISH -				

THIS DRAWING IS UNPUBLISHED. RELEASED FOR PUBLICATION 2016
 © COPYRIGHT 2016 BY TE CONNECTIVITY ALL RIGHTS RESERVED.

PROPERTY OF THE TE CONNECTIVITY
 THIS INFORMATION IS CONFIDENTIAL AND PROPERTY TO TYCO ELECTRONICS CORPORATION AND ITS WORLDWIDE SUBSIDIARIES AND AFFILIATES (TE). IT MAY NOT BE DISCLOSED TO ANYONE, OTHER THAN TE PERSONNEL, WITHOUT AUTHORIZATION FROM TE (www.TE.com).

REVISIONS				
P	LTR	DESCRIPTION	DATE	APVD
		SEE SHEET 1		



1. SEE SHEET ONE.
 NOTES, UNLESS OTHERWISE SPECIFIED:

THIS DRAWING IS A CONTROLLED DOCUMENT.		DWN A. RASMUSSEN 050720	STE TE Connectivity	
DIMENSIONS: inches		CHK C. GARREN 050906		
TOLERANCES UNLESS OTHERWISE SPECIFIED:		APVD A. RENGIFO 120829	NAME RECEPTACLE, ABC CONNECTOR STRAIGHT GROUNDING BACKSHELL QUARTER LOCK COUPLING	
0 PLC ± 1 PLC ± 2 PLC ± 3 PLC ±.005 4 PLC ±		PRODUCT SPEC -	SIZE A2	
ANGLES ±.5 FINISH -		APPLICATION SPEC -	CAGE CODE 11139	DRAWING NO ABC23G-XXXXX
MATERIAL -		WEIGHT -	RESTRICTED TO -	SCALE 2:1
		CUSTOMER DRAWING	SHEET 2	OF 2
			REV E	