

© copyright_date

REVISIONS

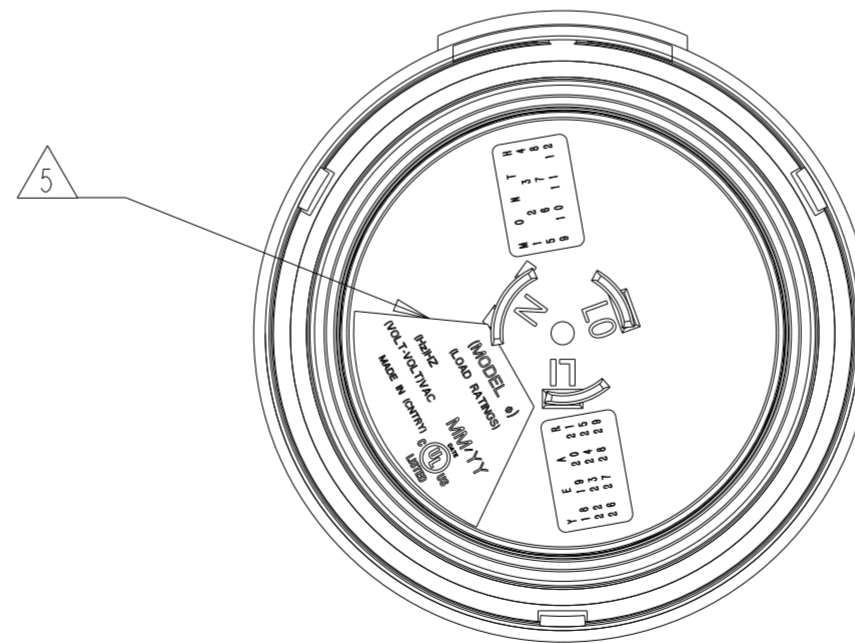
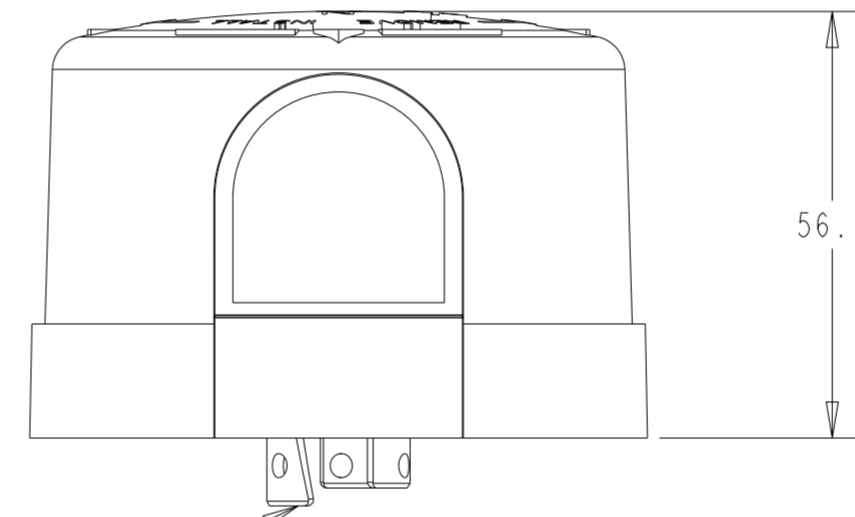
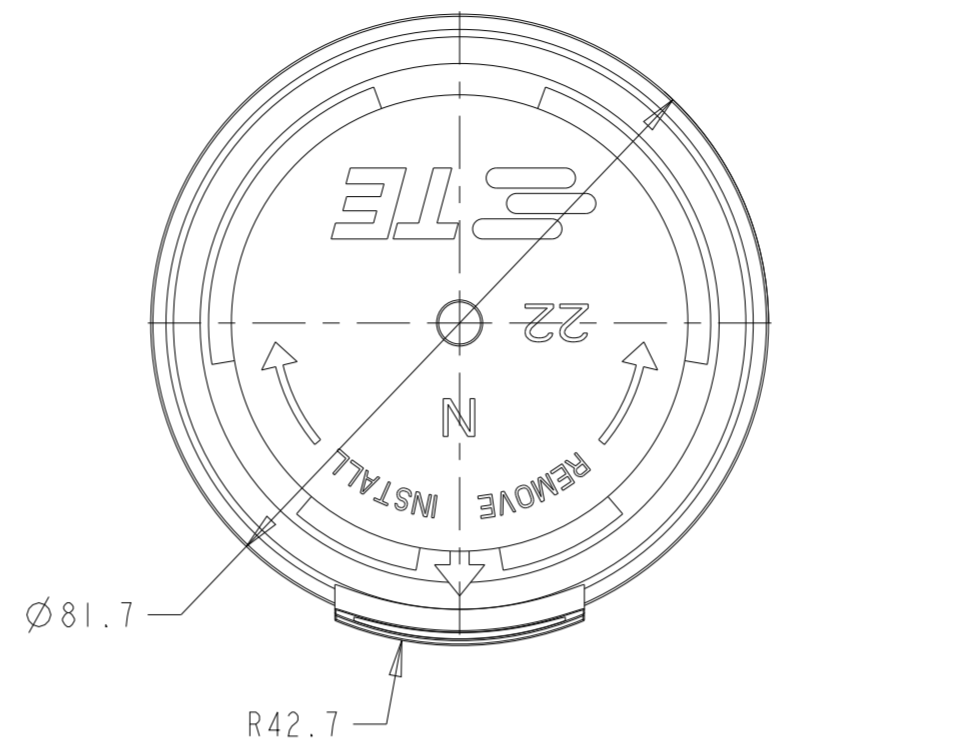
P	LTR	DESCRIPTION	DATE	DWN	APVD
1		NEW RELEASE	22APR2022	MM	MM
2		ADD UL	17FEB2023	MM	MM
A		ECN-23-204037	23MAR2023	RK	MM

ELECTRICAL CHARACTERISTICS

INPUT VOLTAGE RANGE	110/120, 230/240 AND 277 VAC NOMINAL SOURCES
INPUT FREQUENCY	50/60 Hz NOMINAL SOURCES
LOAD RATINGS	INCANDESCENT LAMP: 1000W MAGNETIC BALLAST: 1800VA ELECTRONIC: 5A
SURGE PROTECTION	300 JOULES, 20kA, 25mm MOV
OPERATING LIGHT LEVELS	STANDARD 1.5 ± 0.5 Fc ON, 6.0 Fc MAXIMUM OFF
TIME DELAY ON/OFF	INSTANT ON, 2-5 SECOND DELAY OFF
OFF/ON RATIO	1.5:1
LIGHT SENSOR	SEE TABLE
FAIL MODE	SEE TABLE
ANSI C136.10 DESIGN LIFE CLASSIFICATION	LONG LIFE
UL-773 LISTING CSA22.2 No. 182.2 LISTING	UL FILE E66375, SEE TABLE

ENVIRONMENTAL CHARACTERISTICS

OPERATING TEMPERATURE	-40°C TO +65°C
RELATIVE HUMIDITY	OPERATING: 15% TO 96%, NON-CONDENSING ENVIRONMENT.
INGRESS PROTECTION LEVEL	IP-66



NOTES:

- 1 MATERIALS:
HOUSING: PBT, COLOR: BLACK
COVER: PC, COLOR: SEE TABLE
WINDOW: PC, COLOR: CLEAR TRANSPARENT
CONTACTS (QTY. 3): COPPER ALLOY
SEAL: TPE, COLOR: BLACK
- 2 FINISH:
LINE VOLTAGE CONTACTS: NONE
- 3 MATING INTERFACE PER ANSI C136.10-2017.
- 4. MUST COMPLY WITH DIRECTIVE 2002/95/EC (ROHS)
- 5 PRODUCT INFORMATION LABEL

YES	ON	BLUE	IR FILTERED	800 JOULES, 20KA, 25mm MOV	ALR-8090-MFS-IP66	2388950-1
-	OFF	GREEN	IR FILTERED	300 JOULES, 20KA, 25mm MOV	ALR-8090-VFS-FO-IP66	2388947-1
UL, CSA LISTED	FAIL	COVER COLOR	LIGHT SENSOR	SURGE RATING	MODEL #	TE P/N

THIS DRAWING IS A CONTROLLED DOCUMENT.

DWN: M. MOSTOLLER 22APR2022
CHK: -

APVD: -
PRODUCT SPEC: -
APPLICATION SPEC: -
WEIGHT: -

CUSTOMER DRAWING

SCALE: 1:1 SHEET: 1 OF 1 REV: A

ETE TE Connectivity

NAME: ALR 8000 SERIES IP-66 RATED TWIST LOCK PHOTOCELL

SIZE: A2 CAGE CODE: 00779 DRAWING NO: ALR-8000-IP RESTRICTED TO: -