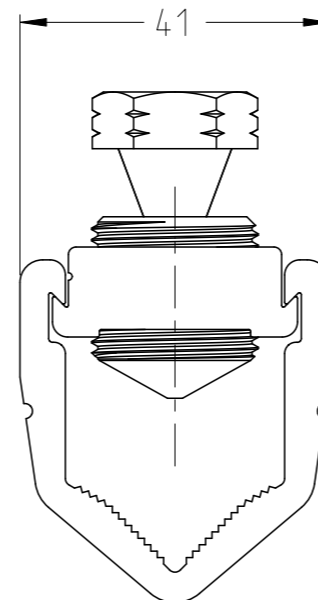
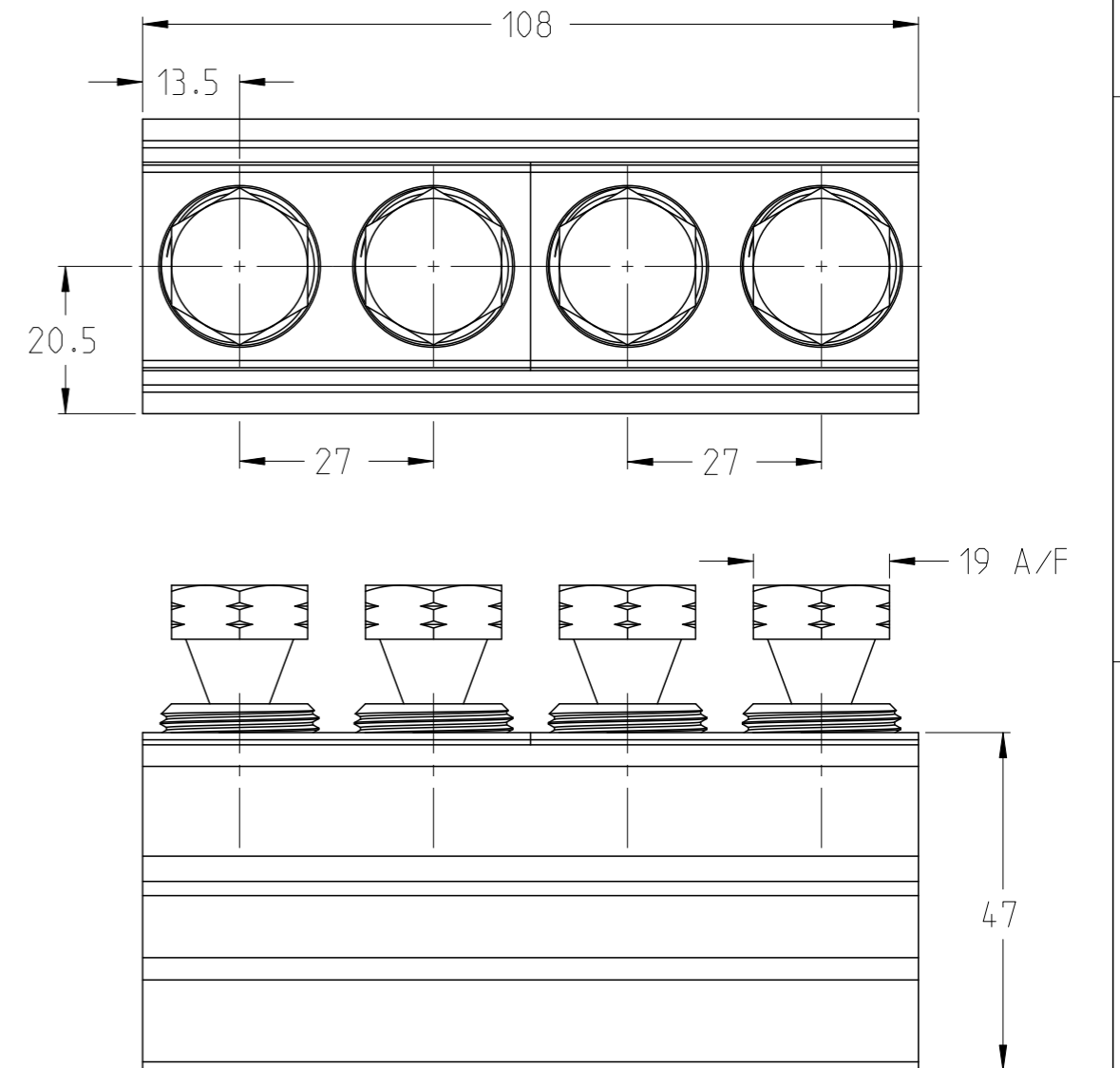
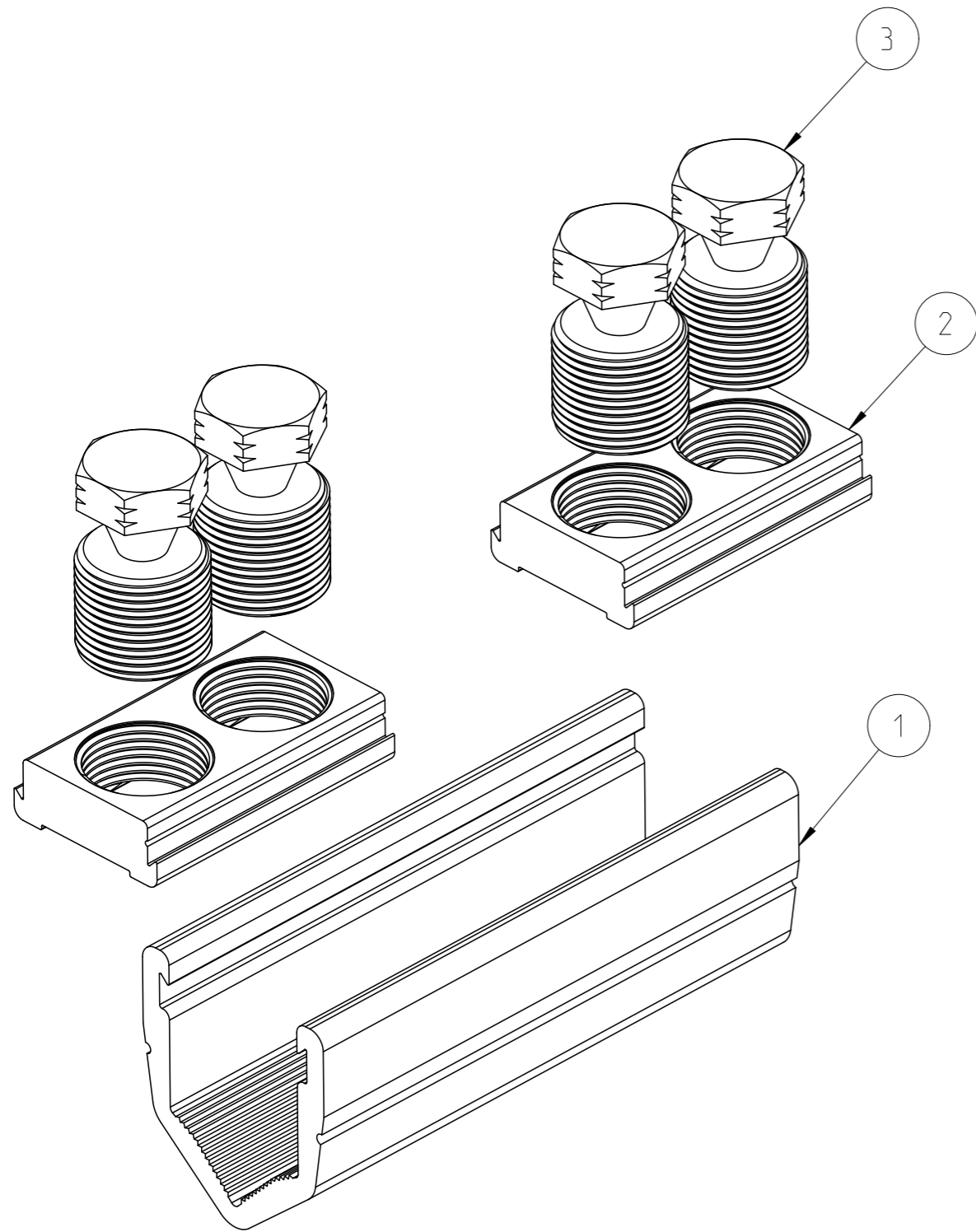


P	LTR	DESCRIPTION	DATE	DWN	APVD
	A	INITIAL RELEASE	24MAR2021	VG	NA



ITEM	QTY	PART NUMBER	DESCRIPTION
3	2	EE3573-000	M22x1.5 19 A/F 40.5 LONG ALUMINIUM SINGLE-SHEAR BOLT KIT
2	2	482214-000	UNIVERSAL 400mm ² TOP INSERT (2 BOLT)
1	1	526942-000	UNIVERSAL PRESSURE PLATE 300mm ² STRAIGHT BOTTOM INSERT x 108mm (4 BOLT)

THIS DRAWING IS A CONTROLLED DOCUMENT.

DIMENSIONS:	TOLERANCES UNLESS OTHERWISE SPECIFIED:
mm	
	0 PLC ±
	1 PLC ±
	2 PLC ±
	3 PLC ±
	4 PLC ±
	ANGLES ±
MATERIAL	FINISH -

TCPN	DESCRIPTION	REFERENCE	CONDUCTOR RANGE (mm ²)	SOCKET/SPANNER A/F (mm)
543248-000	BAH-022020046	UST400	185-400	19

DWN	24MAR2021		TE Connectivity UNIVERSAL STRAIGHT JOINT CONNECTORS FOR LOW VOLTAGE AL & CU CONDUCTORS BAH-022020046
CHK	24MAR2021		
APVD	24MAR2021		
PRODUCT SPEC	N.ALMEIDA		
APPLICATION SPEC	-	NAME	
WEIGHT	-	SIZE	A3
CUSTOMER DRAWING		CAGE CODE	00779
		DRAWING NO	BAH-022020046
		RESTRICTED TO	-
		SCALE	1:1
		SHEET	1 OF 1
		REV	A