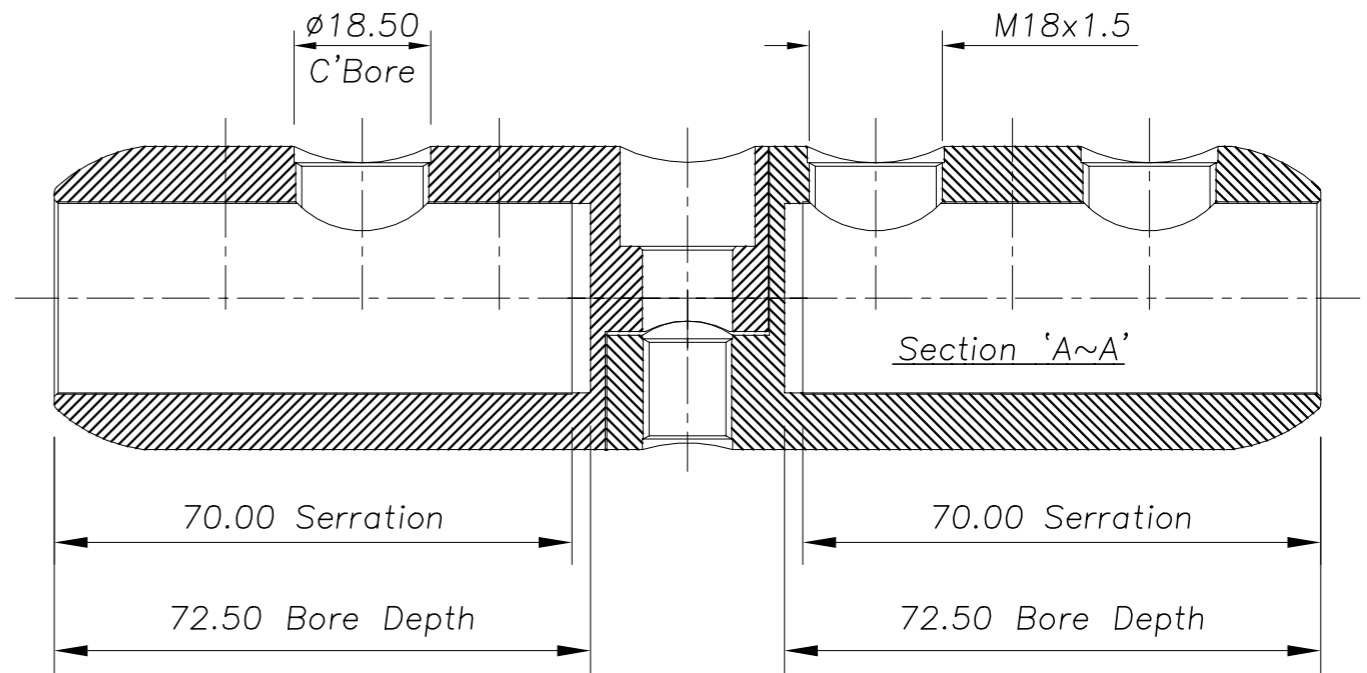
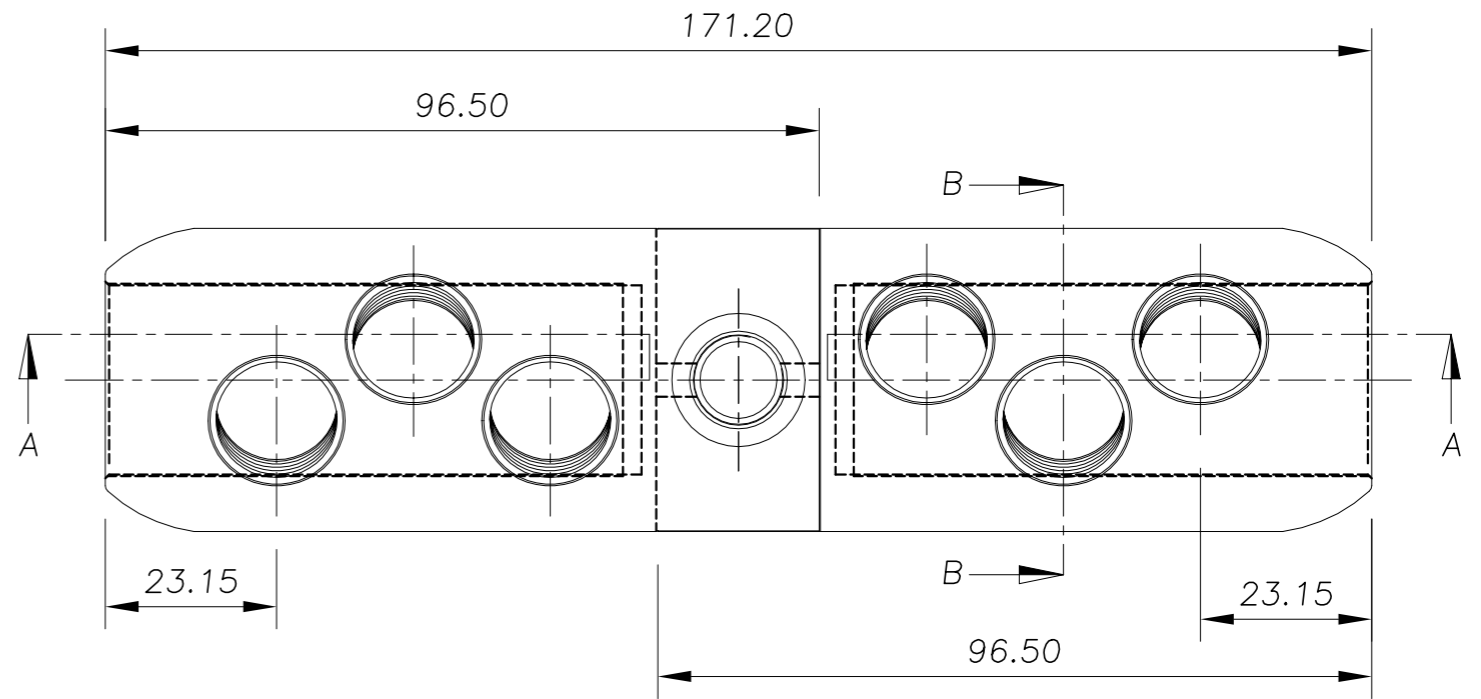
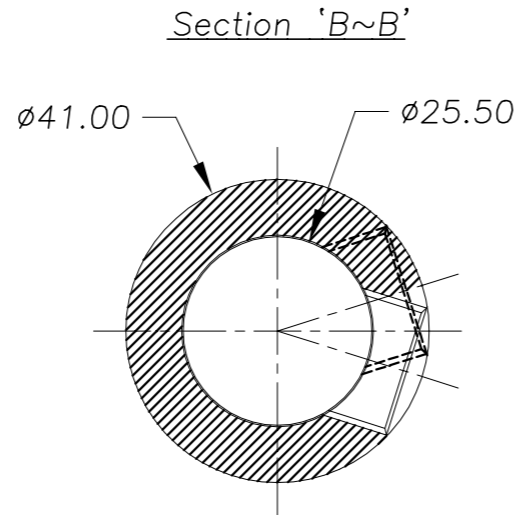
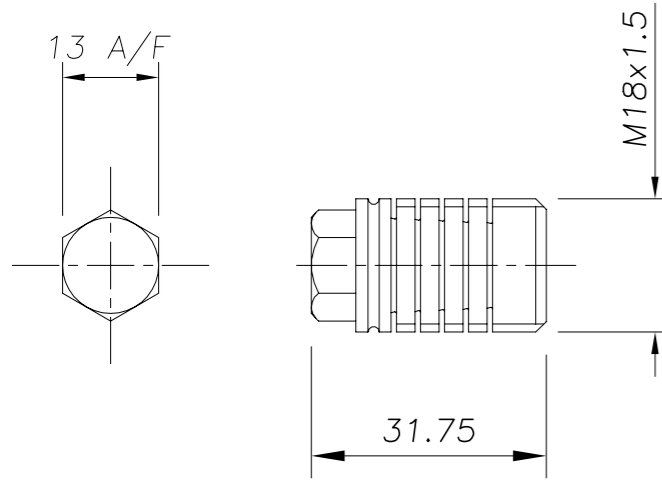
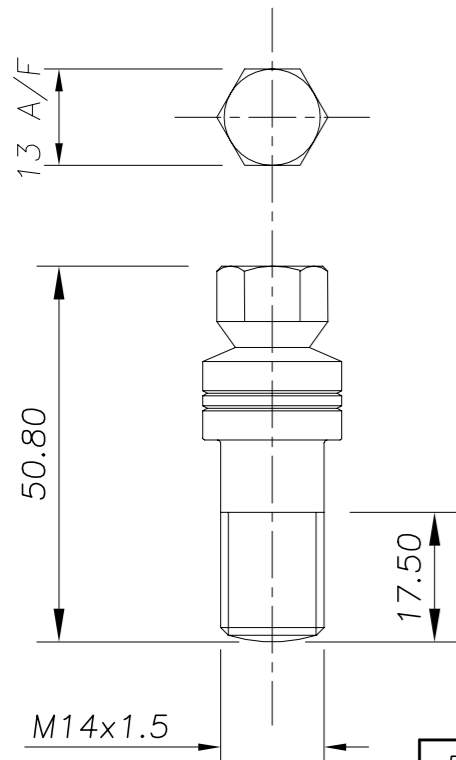


M18 Conductor Clamping Bolt



Connector Mid-Bolt



Connector Body

Min Conductor	Ø18.0
Max Conductor	Ø26.1

Bolt Shear Torque (1st Groove)	
Nm	lb/ft
43 <sup>+4</sup> <sub>-0</sub>	32 <sup>+3</sup> <sub>-0</sub>

PART/DRG NO.	QTY.	DESCRIPTION
BAH-012050038	1	22kV ALUMINIUM STRAIGHT VEE CONNECTOR BODY - MXSU - 41.0 O/D 25.5 I/D - THREADED HALF
BAH-012050039	1	22kV ALUMINIUM STRAIGHT VEE CONNECTOR BODY - MXSU - 41.0 O/D 25.5 I/D - COUNTERBORED HALF
BAH-017010043	6	M18x15. 13 A/F 31.75 LONG BRASS MULTI-SHEAR BOLT WITH RECESSED END
BAH-017020005	1	M14x1.5 13 A/F 50.8 LONG ALUMINIUM MID-BOLT
E91011-000	5.8g	GREASE CONTACTSIM - SVT S0027 (SIMEL 1574829-1)

NOTES :

- CONNECTOR TO BE FULLY ASSEMBLED AS SHOWN.
- GREASE TO BE APPLIED TO BOTH CONNECTOR BORES.

Revision	Description	Name/ECN	Date
J	HEX BOLT HEAD REDUCED AS PER ECR	BJ	10NOV20
H	'NOTE 2' ADDED & SHEAR BOLTS WERE 01-701-0013	BH-00245	27/03/07
G	ASSEMBLY 'NOTE 1' ADDED	BH-00182	27/11/06
F	MULTI-SHEAR BOLT QTY '6' WAS INCORRECTLY SHOWN AT '4'	BH-00085	17/08/05
E	PART WAS MSFE-0033/0400, DRG WAS S04-A03-A04	S.P.W	12.10.01
D	MID-BOLT REVISED	S.P.W	29.1.01
C	PART NO REVISED	S.P.W	5.10.00
B	BOLT SHEAR TORQUES ADDED	S.P.W	10.8.00
A	FIRST ISSUE	S.P.W	6.12.99

**tyco**  
**Electronics**  
**B&H**

Tyco Electronics UK Ltd  
 Freebournes Road, Witham  
 Essex, CM8 3AH, UK.  
 Tel: +44 1376 509509  
 Fax: +44 1376 509511  
 http://energy.tycoelectronics.com

Material Varies  
 Finish Varies  
 Tolerances (UDS) -  
 B&H Short Desc. MSFE-0033-0185/0400

IF IN DOUBT ASK - DO NOT SCALE

Part Description  
 22kV ALUMINIUM STRAIGHT VEE CONNECTOR  
 MXSU - 41.0 O/D 25.5 I/D  
 (RAYCHEM REF : MSFE-0033-0185/0400)

Design/Drawn S.P.WEST Date 6 DEC 1999 Scale (UDS) 2:3  
 PCN/RPN No 465624-000 Checked/Approved by  
 Drawing/Part No. BAH-022050013 Drawing Type ASSEMBLY/CUSTOMER Revision J