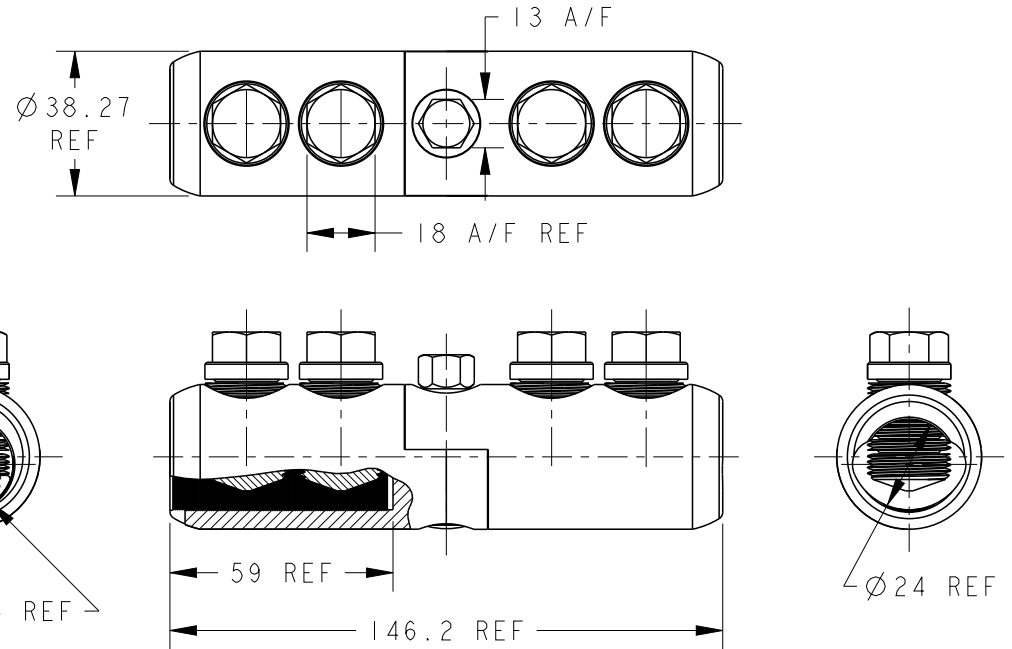
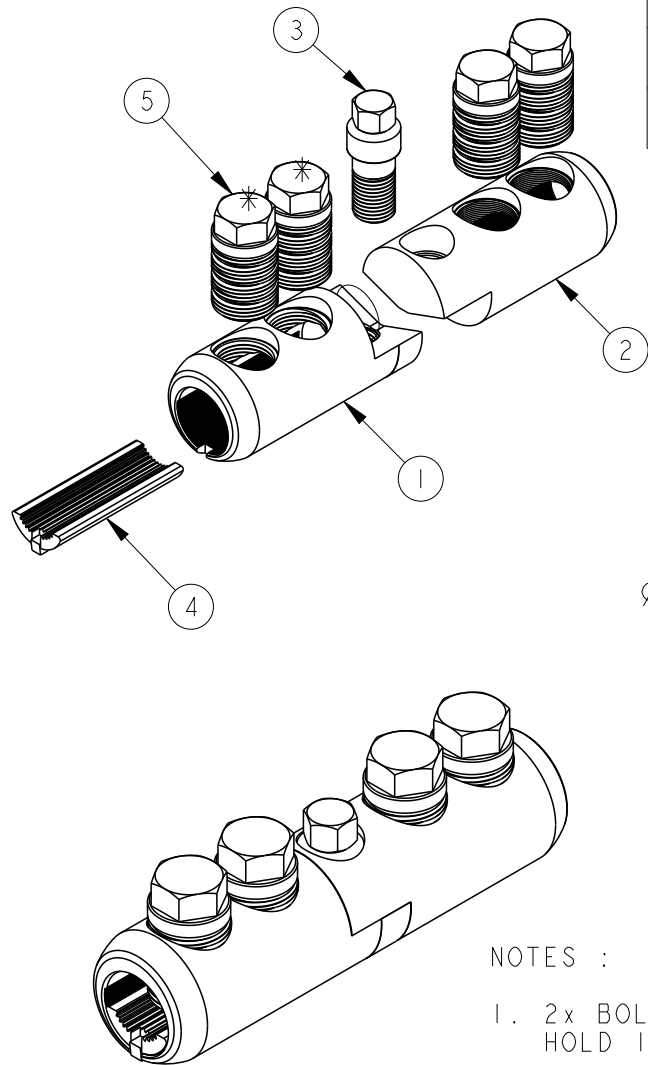


ITEM	PART/DRG NO	TCPN DESCRIPTION	QTY	DESCRIPTION
1	CB3939-000	BAH-012100033	1	MV ALUMINIUM STRAIGHT VEE TYPE CONNECTOR BODY - 38.35 O/D 24.0 I/D (TAPERED ENDED) - THREADED HALF
2	CB3941-000	BAH-012100034	1	MV ALUMINIUM STRAIGHT VEE TYPE CONNECTOR BODY - 38.35 O/D 24.0 I/D (TAPERED ENDED) - GROOVED BORE COUNTERBORED HALF
3	704156-000	BAH-017020011	1	9/16"BSF 12.8 A/F 46 LONG ALUMINIUM MID-BOLT
4	CF9807-000	BAH-017070022	1	ALUMINIUM REDUCING INSERT - Ø24.0 O/D x Ø17.5 I/D x 57.5 LONG WITH ORIENTATION LUG (UN-PLATED)
5	CJ6381-000	BAH-017010070	4	M22x1.5 18 A/F 42.0 LONG BRASS MULTI-SHEAR BOLT WITH POINTED END



NOTES :

- 2x BOLTS (*) TO BE SCREWED DOWN LIGHTLY TO HOLD INSERT IN BORE.

J	HEX BOLT HEAD REDUCED AS PER ECR	BJ	09NOV20
H	NOTE 1 ADDED	BH-00582	25/06/09
G	PICTORIAL CHANGE ONLY - BAH-017010070 WAS 34.0mm LONG	BH-00574	21/05/09
F	BAH-017070035 (x1) REMOVED & NOTE 1 REMOVED	BH-00529	18/11/08
E	BAH-017070035 (x1) ADDED & NOTE 1 ADDED	BH-00482	25/06/08
D	PICTORIAL CHANGE ONLY - Ø13 BORE GROOVES REMOVED FROM BAH-012100033	BH-00295	06/08/07
C	MULTI-SHEAR BOLT WAS BAH-017010024	BH-00268	22/05/07
B	BORE INSERT WAS BAH-017070019	BH-00231	05/02/07
A	FIRST ISSUE	BH-00189	18/07/06
Revision	Description	Name/DMR	Date



Material	VARIES
Finish	VARIES
Tolerances (UOS)	-
B&H Short Desc.	VTPA24GBUTB

- IF IN DOUBT ASK - DO NOT SCALE -	
Part Description	
MV ALUMINIUM STRAIGHT VEE TYPE CONNECTOR - 38.35 O/D 24.0 I/D TAPERED ENDED GROOVED BORE c/w REDUCING INSERT & MULTI-SHEAR BOLTS	

Design/Drawn	D M EATON	Date	18-Jul-06	Scale (UOS)	1:2	THIRD ANGLE PROJECTION	A4
TCPN	CB3942-000	Part Weight					
Drawing/Part No	BAH-022100035	Drawing Type	ASSEMBLY/CUSTOMER		Rev	J	

REMOVE ALL BURRS AND SHARP EDGES - SURFACES TO BE FREE FROM SCRATCHES AND DEFECTS - ALL THREADS TO BS3643 PT 2

© 2017 TYCO ELECTRONICS UK LTD, WITHAM, UK