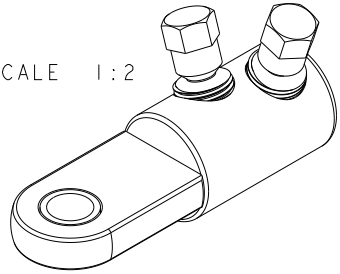
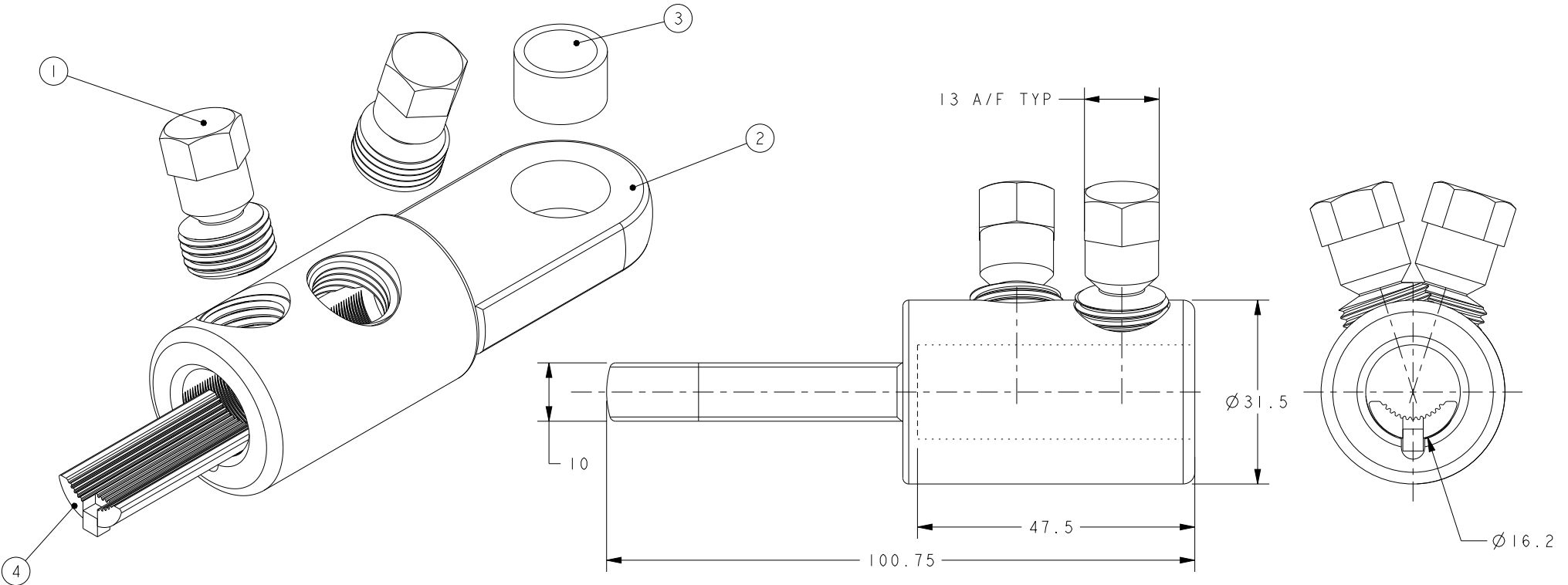


SCALE 1:2



ITEM	TCPN NO	DESCRIPTION	QTY	DESCRIPTION
1	609722-000	BAH-017000082	2	M16x1.5 12.8 A/F 26.0 LONG BRASS SINGLE-SHEAR BOLT
2	651672-000	BAH-014030120	1	MV ALUMINIUM END TERMINATION BODY - 31.5 O/D 16.2 I/D - CENTRE PALM WITH Ø17.0 HOLE
3	799168-000	BAH-017070001	1	BRASS REDUCING BUSH 16.0 O/D 12.5 I/D 9.8 LONG
4	D48140-000	BSM-35/150-E-Z	1	BSM-35/150-E-Z INSERT BSM-35/150



G	CHANGE INSERT REFERENCE	GC-00031	25/07/24
F	HEX BOLT HEAD REDUCED AS PER ECR	SD/DMR-G C-0020	21JAN21
E	B&H SHORT DESCRIPTION CORRECTED FROM VETA16/21-16	BH-00004	25/11/04
D	TITLE BLOCK REVISED, B&H SHORT DESCRIPTION ADDED	S.P.W	13.1.03
C	CONNECTOR & INSERT REVISED	S.P.W	12.2.02
B	BRASS REDUCING BUSH REVISED	S.P.W	26.11.01
A	FIRST ISSUE	S.P.W	21.9.01
Revision	Description	Name/ECN	Date

Design/Drawn	S.P.WEST	Date	21 SEPT 2001	Scale (UOS)	1:1	 THIRD ANGLE PROJECTION	A4
TCPN	400814-000	Part Weight					
Drawing/Part No	BAH-024030122	Drawing Type	CUSTOMER DRAWING		Rev	G	



Material	-
Finish	-
Tolerances (UOS)	-
B&H Short Desc.	VETA16/32-16

Part Description	- IF IN DOUBT ASK - DO NOT SCALE - MV ALUMINIUM END TERMINATION - 31.5 O/D 16.2 I/D CENTRE PALM WITH Ø17.0 HOLE
------------------	---

REMOVE ALL BURRS AND SHARP EDGES - SURFACES TO BE FREE FROM SCRATCHES AND DEFECTS - ALL THREADS TO BS3643 PT 2

© 2017 TYCO ELECTRONICS UK LTD, WITHAM, UK