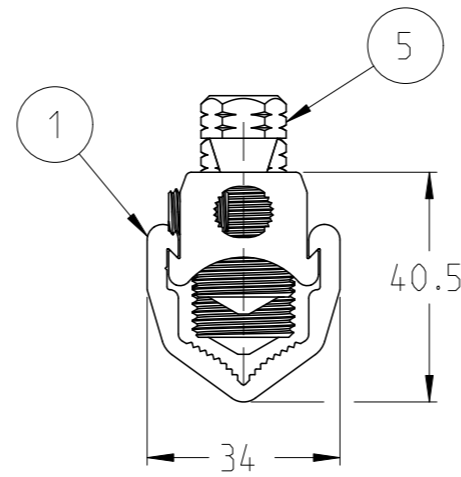
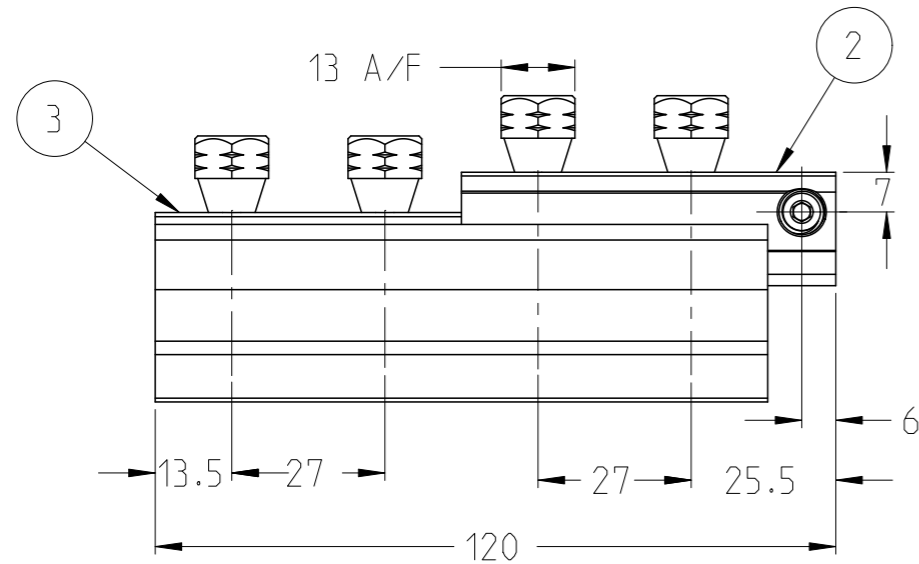
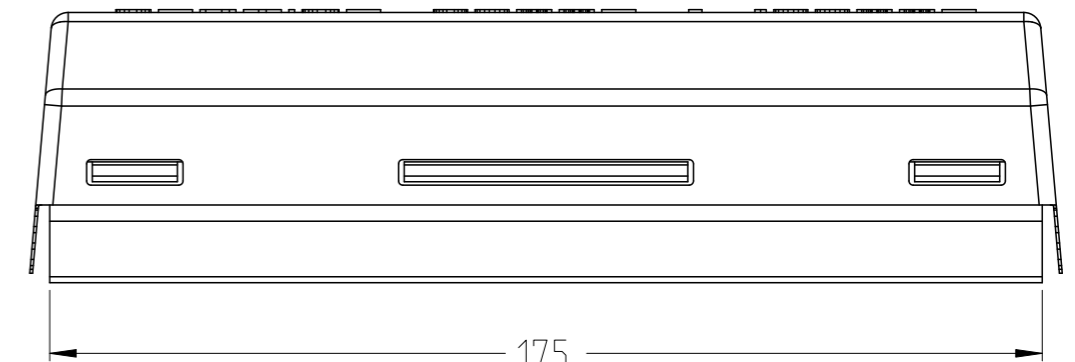
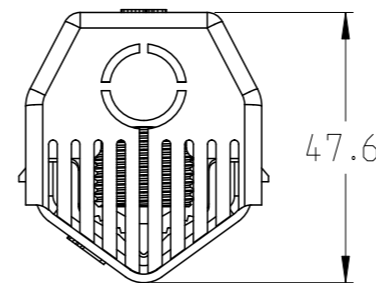
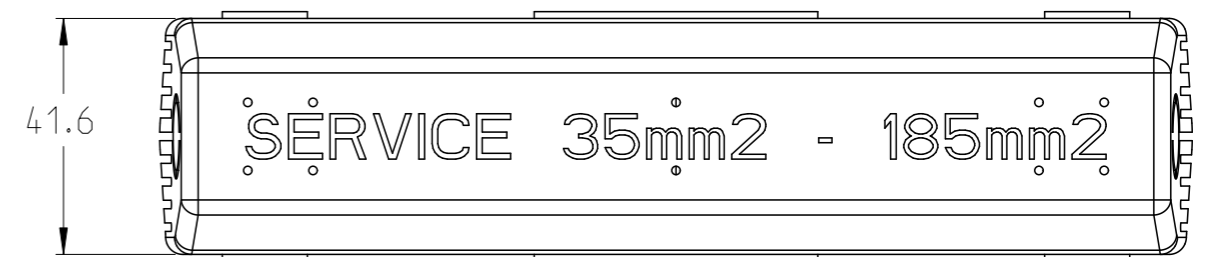
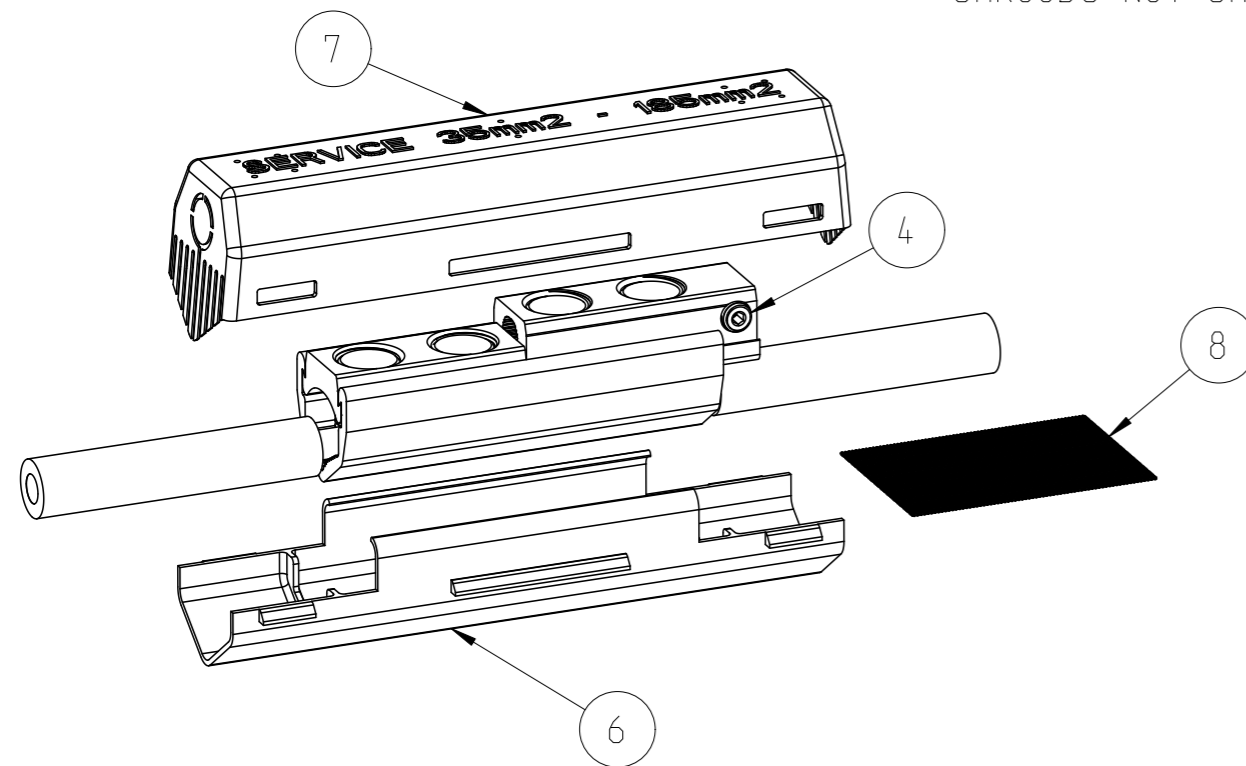


P	LTR	DESCRIPTION	DATE	DWN	APVD
	A	INITIAL RELEASE	23MAR2021	VG	NA



SHROUDS NOT SHOWN



ITEM	QTY	PART NUMBER	DESCRIPTION
8	1	103258-000	MESH
7	1	CP1541-000	UST185 SERVICE UPPER INSULATION SHROUD
6	1	EB6946-000	UST185 LOWER INSULATION SHROUD
5	2	EE3572-000	M18x1.5 13 A/F 39.5 LONG AL SINGLE-SHEAR BOLT KIT
4	1	444628-000	M8x1.25 3A/F 10.5 LONG BRASS GRUBSCREW
3	1	995638-000	UNIVERSAL 185mm <sup>2</sup> TOP INSERT (2 BOLT)
2	1	075238-000	UNIVERSAL 185mm <sup>2</sup> SINGLE SERVICE TAKE-OFF TOP INSERT (2 BOLT)
1	1	157716-000	UNIVERSAL 185mm <sup>2</sup> STRAIGHT BOTTOM INSERT (4 BOLT)

TCPN	DESCRIPTION	REFERENCE	CONDUCTOR SIZE (mm <sup>2</sup> )	SOCKET/SPANNER A/F (mm)
EB9136-000	BAH-032020083	UST185SBS-G/INS	35-185	13

THIS DRAWING IS A CONTROLLED DOCUMENT.

DIMENSIONS:	TOLERANCES UNLESS OTHERWISE SPECIFIED:
mm	0 PLC ±
	1 PLC ±
	2 PLC ±
	3 PLC ±
	4 PLC ±
	ANGLES ±
MATERIAL	FINISH

DWN	23MAR2021
VENKATESH G	
CHK	23MAR2021
L. JONATHAN	
APVD	23MAR2021
N. ALMEIDA	
PRODUCT SPEC	
APPLICATION SPEC	
WEIGHT	-



NAME				UNIVERSAL STRAIGHT JOINT CONNECTORS WITH SERVICE CONNECTIONS AND MOULDED INSULATION SHROUDS BAH-032020083	
SIZE	CAGE CODE	DRAWING NO	RESTRICTED TO		
A3	00779	BAH-032020083	-		
CUSTOMER DRAWING		SCALE	SHEET	OF	REV
		3:4	1	1	A