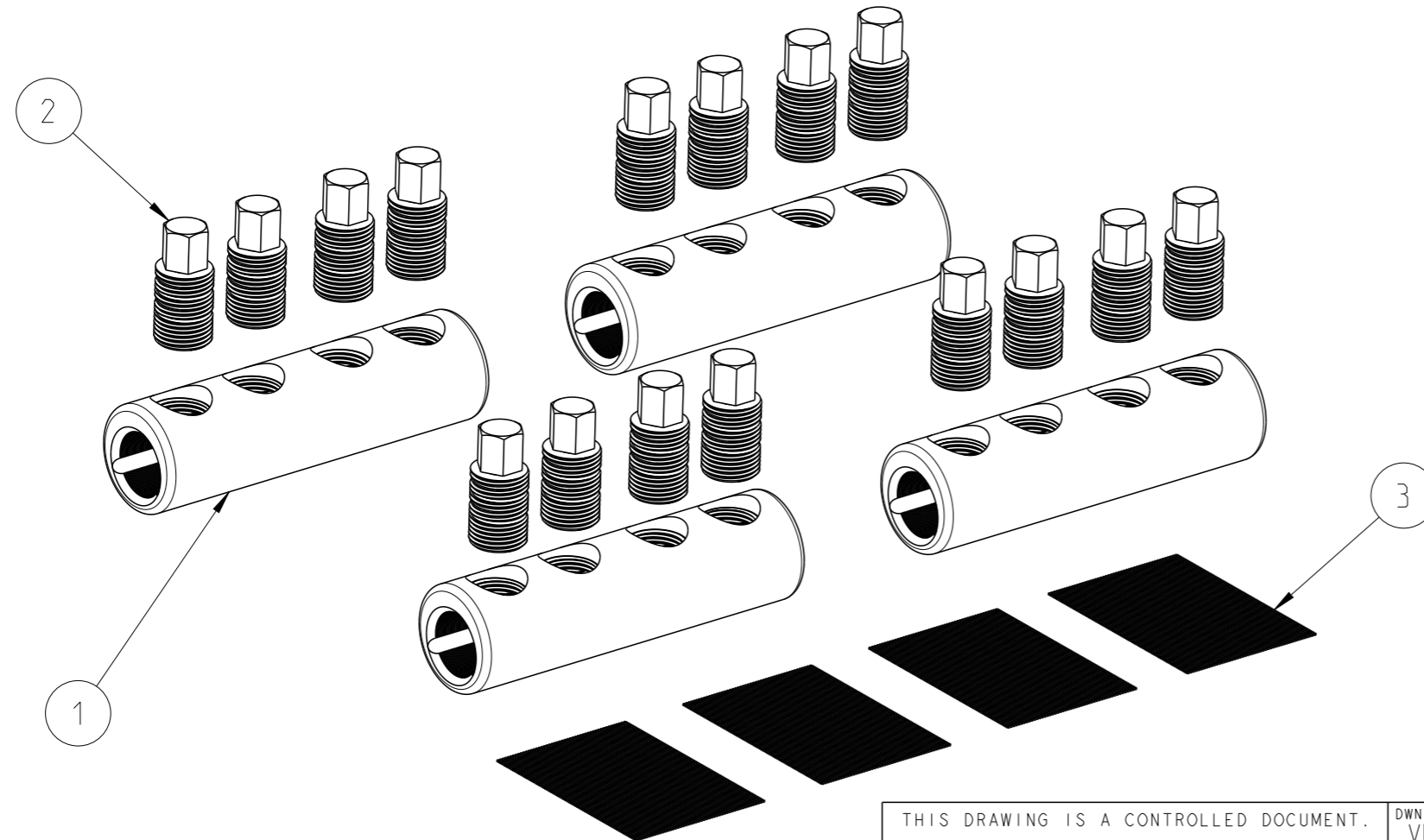
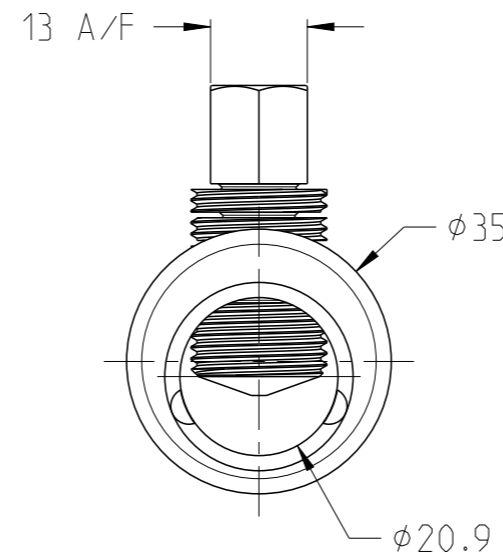
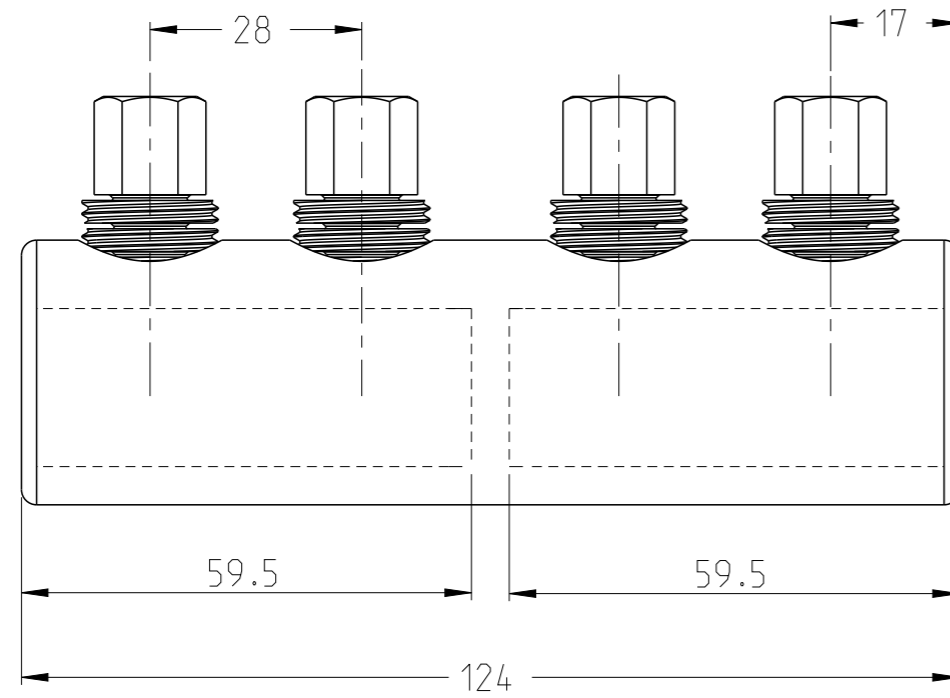


P	LTR	DESCRIPTION	DATE	DWN	APVD
	A	INITIAL RELEASE	24MAR2021	VG	NA



TCPN	DESCRIPTION	SOCKET/SPANNER A/F (mm)
425886-000	BAH-032090025	13

ITEM	QTY	PART NUMBER	DESCRIPTION
3	4	103258-000	MESH
2	8	EE3579-000	M18x1.5 12.8 A/F 41.0 LONG BRASS MULTI-SHEAR BOLT KIT
1	4	725190-000	11KV STRAIGHT CONNECTOR

THIS DRAWING IS A CONTROLLED DOCUMENT.

DIMENSIONS:	TOLERANCES UNLESS OTHERWISE SPECIFIED:
mm	0 PLC ±
	1 PLC ±
	2 PLC ±
	3 PLC ±
	4 PLC ±
	ANGLES ±
	FINISH -

DWN	24MAR2021
VENKATESH G	
CHK	24MAR2021
L. JONATHAN	
APVD	24MAR2021
N. ALMEIDA	
PRODUCT SPEC	
APPLICATION SPEC	
WEIGHT	-
CUSTOMER DRAWING	

**TE** TE Connectivity

NAME: STRAIGHT BLOCKED CONNECTOR  
BAH-032090025

SIZE	CAGE CODE	DRAWING NO	RESTRICTED TO
A3	00779	BAH-032090025	-

SCALE: 1:1 SHEET: 1 OF 1 REV: A