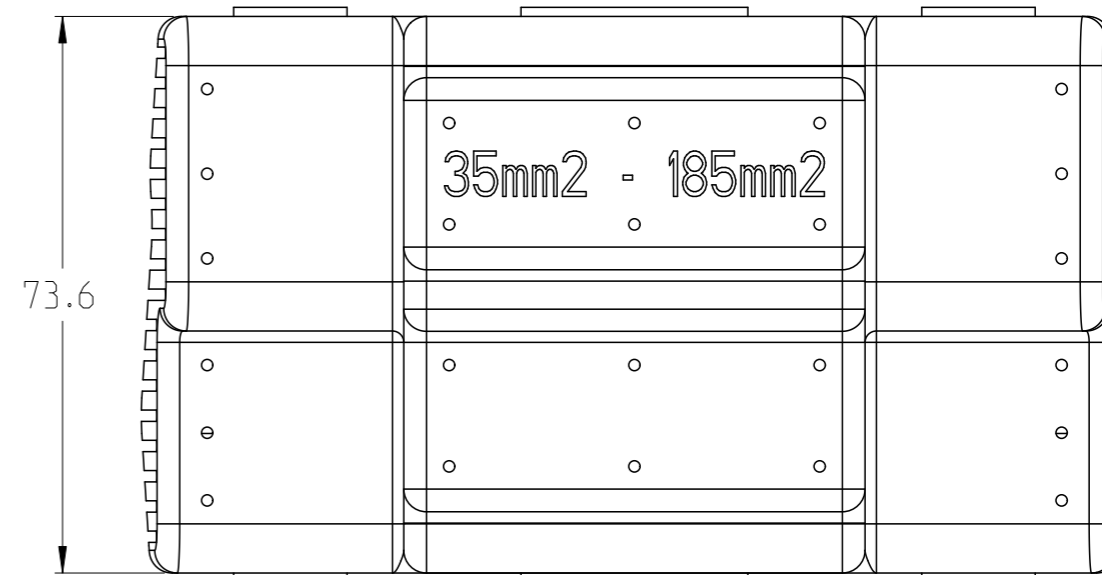
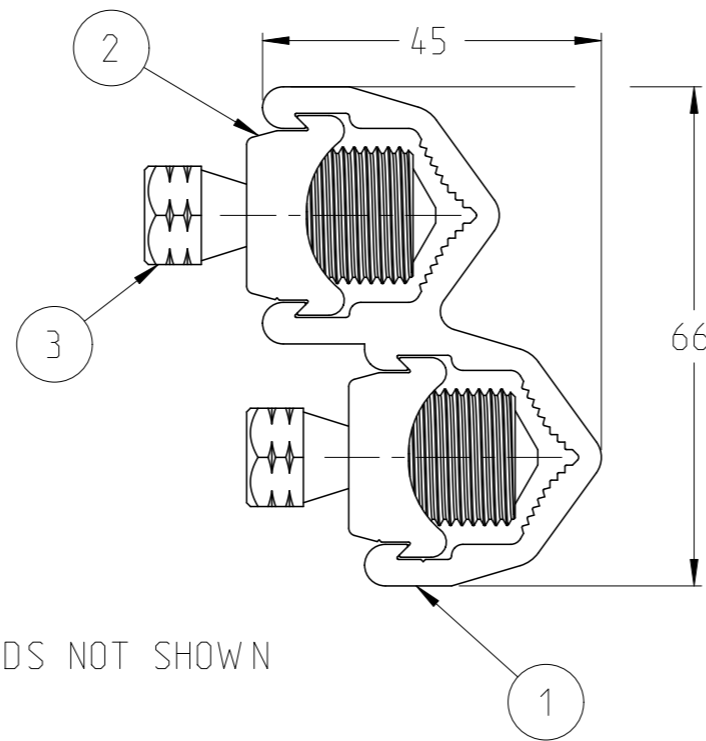
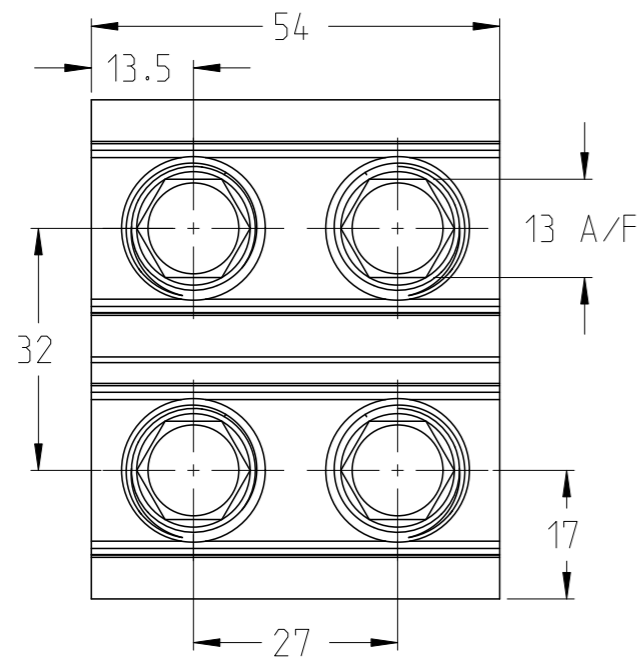
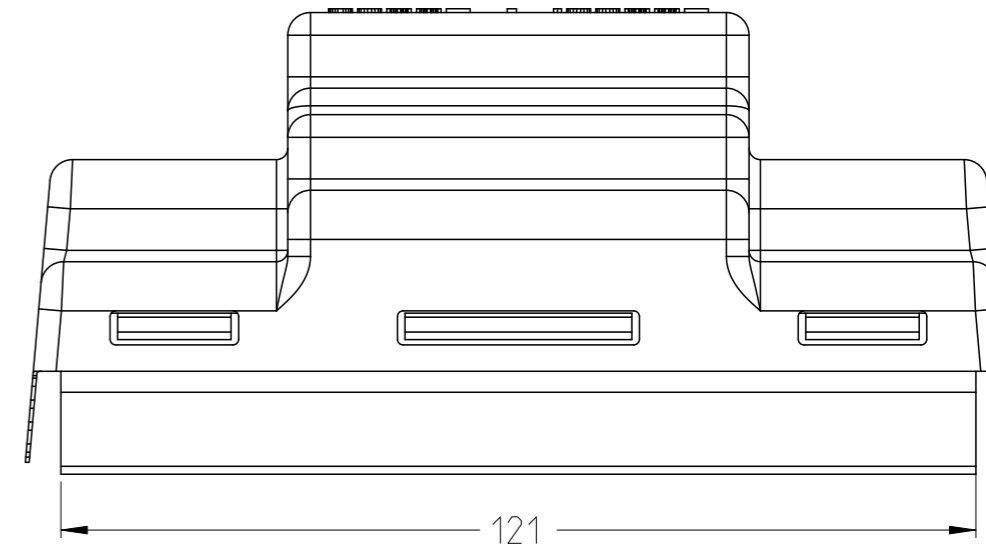
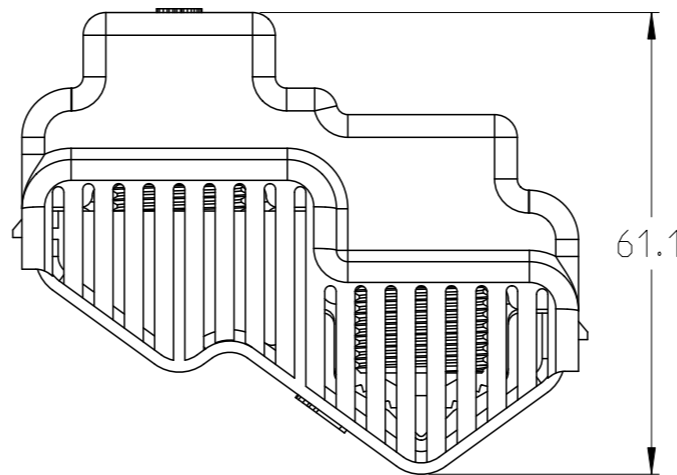
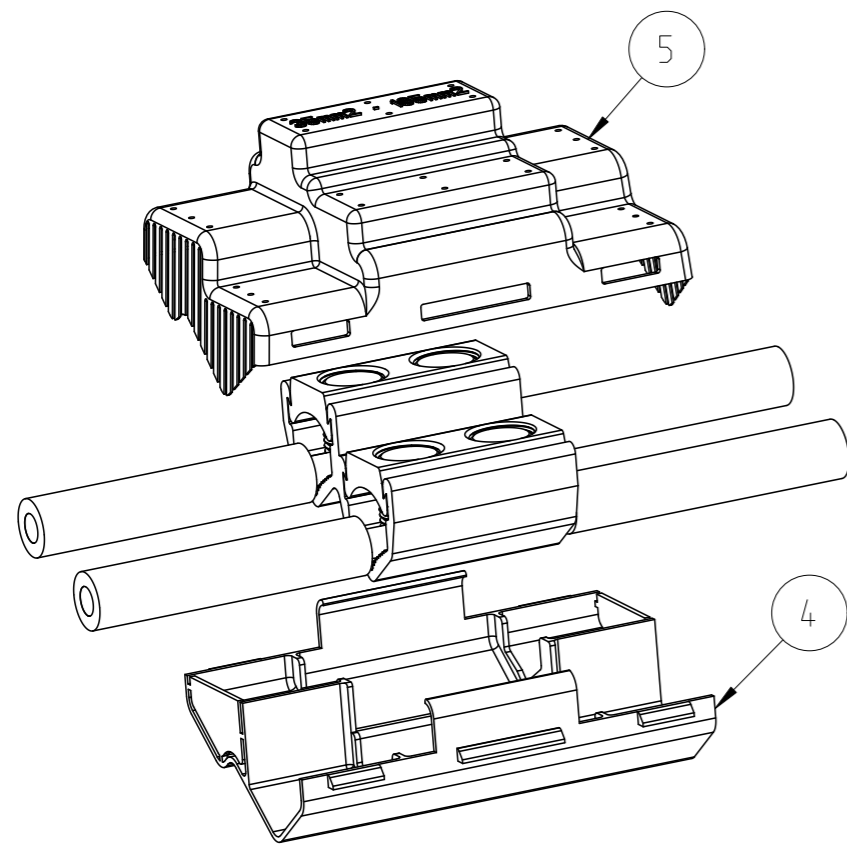


P	LTR	DESCRIPTION	DATE	DWN	APVD
	A	INITIAL RELEASE	12MAR2021	VG	NA



SHROUDS NOT SHOWN



ITEM	QTY	PART NUMBER	DESCRIPTION
5	1	EB6951-000	UBR185 UPPER INSULATION SHROUD
4	1	EB6952-000	UBR185 LOWER INSULATION SHROUD
3	2	EE3572-000	M18x1.5 13 A/F 39.5 LONG ALUMINIUM SINGLE-SHEAR BOLT KIT
2	2	995638-000	UNIVERSAL 185mm <sup>2</sup> TOP INSERT (2 BOLT)
1	1	459136-000	UNIVERSAL 185mm <sup>2</sup> BRANCH BOTTOM INSERT (4 BOLT)

TCPN	DESCRIPTION	REFERENCE	CONDUCTOR SIZE (mm <sup>2</sup> )	SOCKET/SPANNER A/F (mm)
EB9139-000	BAH-033000069	UBR185INS	35-185	13

THIS DRAWING IS A CONTROLLED DOCUMENT.

DIMENSIONS:	TOLERANCES UNLESS OTHERWISE SPECIFIED:
mm	0 PLC ±
	1 PLC ±
	2 PLC ±
	3 PLC ±
	4 PLC ±
	ANGLES ±
MATERIAL	FINISH
-	-

DWN	12MAR2021
VENKATESH G	
CHK	12MAR2021
L. JONATHAN	
APVD	12MAR2021
N. ALMEIDA	
PRODUCT SPEC	
APPLICATION SPEC	
WEIGHT	-



UNIVERSAL BRANCH JOINT CONNECTORS WITH MOULDED INSULATION SHROUDS  
BAH-033000069

SIZE	CAGE CODE	DRAWING NO	RESTRICTED TO
A3	00779	BAH-033000069	-