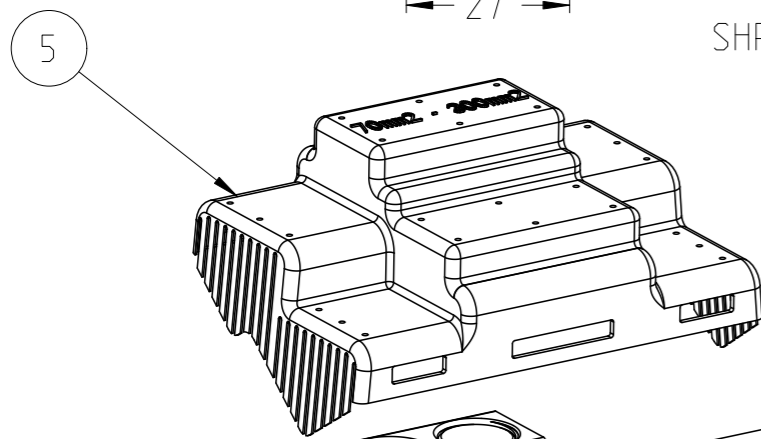
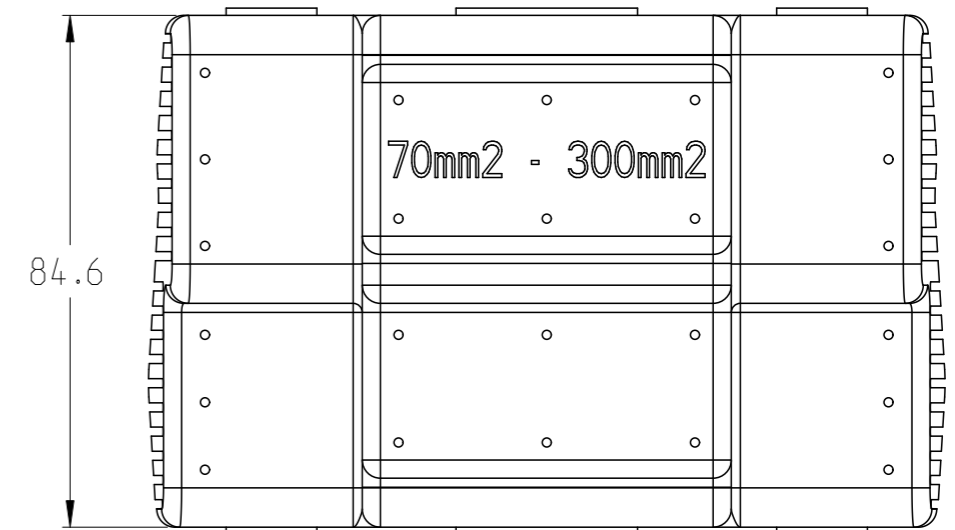
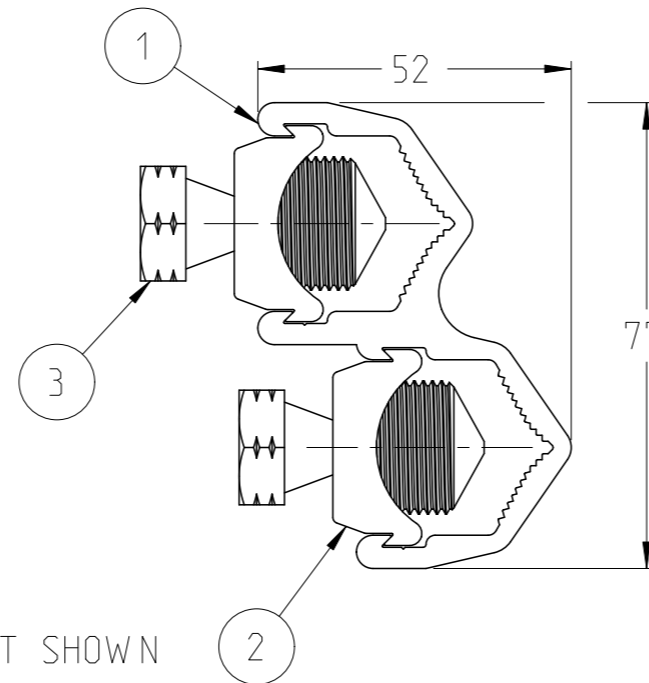
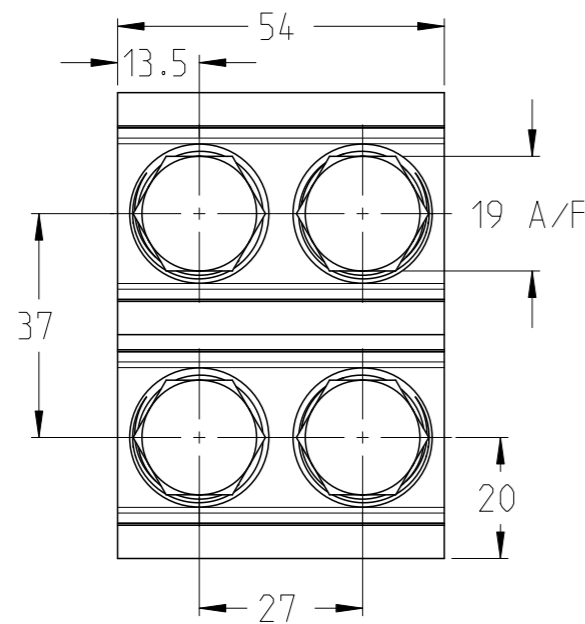
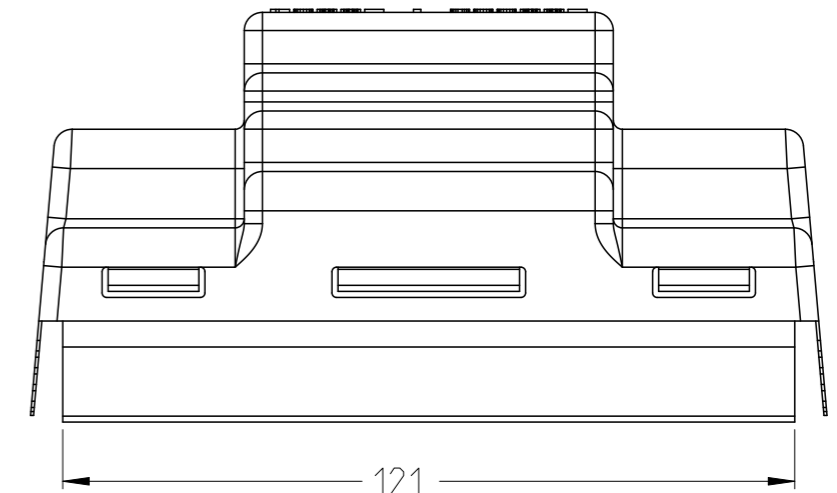
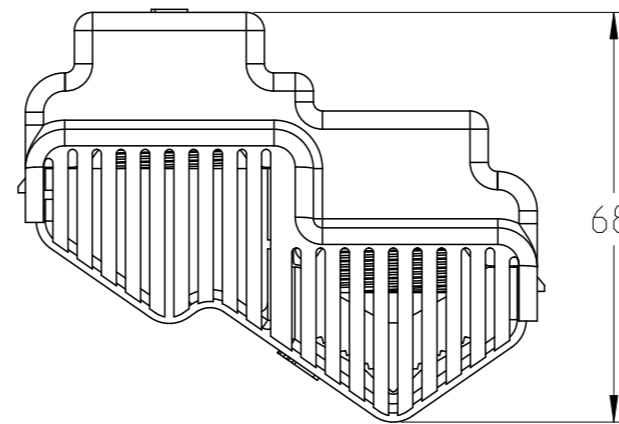
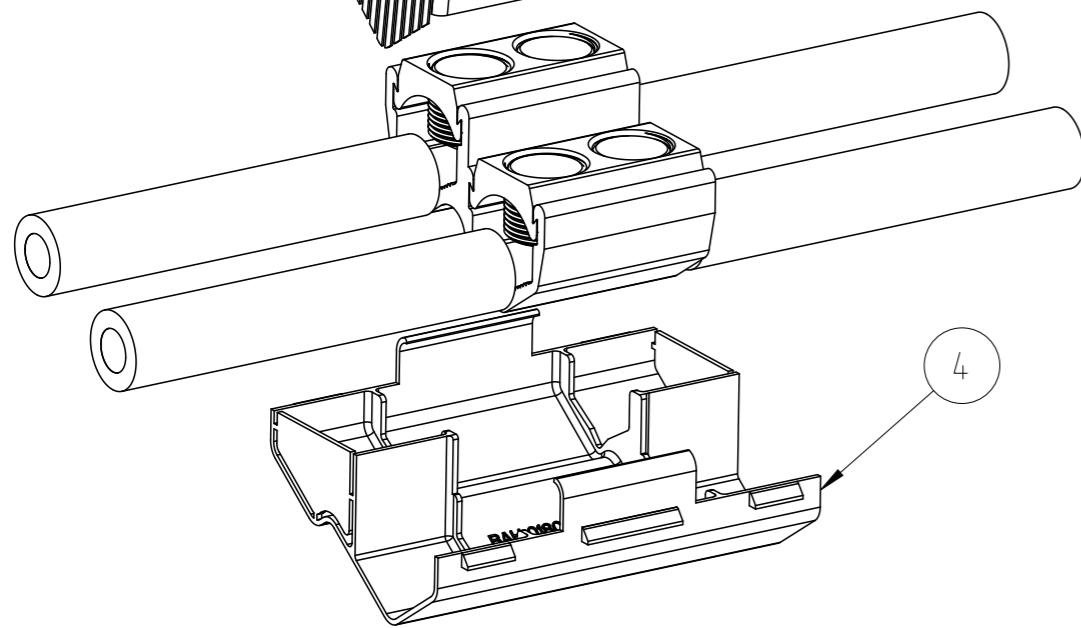


P	LTR	DESCRIPTION	DATE	DWN	APVD
	A	INITIAL RELEASE	12MAR2021	VG	NA



SHROUDS NOT SHOWN



TCPN	DESCRIPTION	REFERENCE	CONDUCTOR SIZE (mm ²)	SOCKET/SPANNER A/F (mm)
EB9140-000	BAH-033000070	UBR300INS	70-300	19

ITEM	QTY	PART NUMBER	DESCRIPTION
5	1	EB6953-000	UBR300 UPPER INSULATION SHROUD
4	1	EB6954-000	UBR300 LOWER INSULATION SHROUD
3	2	EE3573-000	M22x1.5 19 A/F 40.5 LONG ALUMINIUM SINGLE-SHEAR BOLT KIT
2	2	883218-000	UNIVERSAL 300mm ² TOP INSERT (2 BOLT)
1	1	314450-000	UNIVERSAL 300mm ² BRANCH BOTTOM INSERT (4 BOLT)

THIS DRAWING IS A CONTROLLED DOCUMENT.

DIMENSIONS:	TOLERANCES UNLESS OTHERWISE SPECIFIED:
mm	
	0 PLC ±
	1 PLC ±
	2 PLC ±
	3 PLC ±
	4 PLC ±
	ANGLES ±
MATERIAL	FINISH
-	-

DWN	12MAR2021
VENKATESH G	
CHK	12MAR2021
L. JONATHAN	
APVD	12MAR2021
N. ALMEIDA	
PRODUCT SPEC	
APPLICATION SPEC	
WEIGHT	-
CUSTOMER DRAWING	



UNIVERSAL BRANCH JOINT CONNECTORS WITH MOULDED INSULATION SHROUDS
BAH-033000070

SIZE	CAGE CODE	DRAWING NO	RESTRICTED TO
A3	00779	BAH-033000070	-
SCALE	4:5	SHEET 1 OF 1	REV A